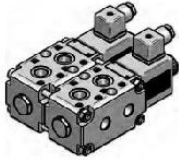
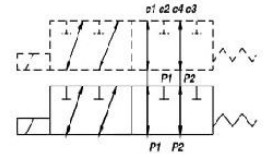
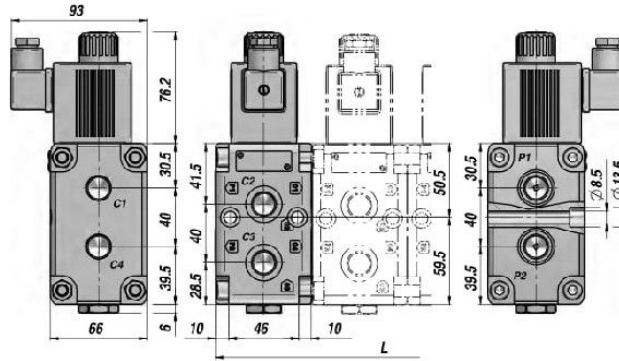
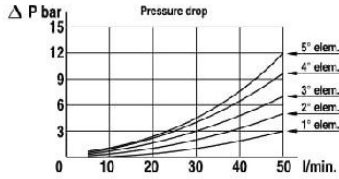


VS 241/F

SELECTEUR DE CIRCUIT ELECTRIQUE (EMPILABLE)
SOLENOID OPERATED DIVERTER VALVE (MODULAR TYPE)



DRAINAGE INTERNE
INTERNAL DRAIN



Code Code	Code Code	Type Type	N° Elements Elements no.	Voies Ports	P1 - P2 C1 - C4 C2 - C3	Q MAX l/min	P MAX bar	L	kg
12 VDC	24 VDC				BSP				
ELVSF240112DC	ELVSF240124DC	VS241/F1-3/8"DZ-6B-DI-*-DIN-N	1	6	3/8"	50	250	66	3,35
ELVSF240212DC	ELVSF240224DC	VS241/F2-3/8"DZ-6B-DI-*-DIN-N	2	8	3/8"	50	250	132	6,70
ELVSF240312DC	ELVSF240324DC	VS241/F3-3/8"DZ-6B-DI-*-DIN-N	3	10	3/8"	50	250	198	10,05
ELVSF240412DC	ELVSF240424DC	VS241/F4-3/8"DZ-6B-DI-*-DIN-N	4	12	3/8"	50	250	264	13,40

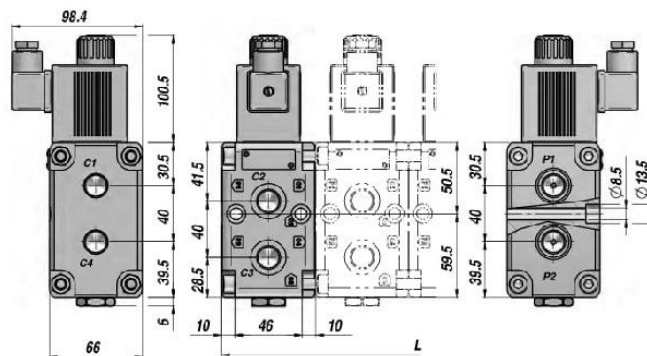
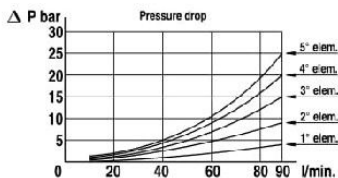
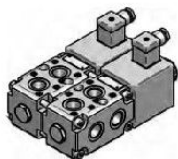
*12DC= V12DC 24DC= V24DC

SUR DEMANDE : DRAINAGE EXTERNE P MAX.: 310 bar

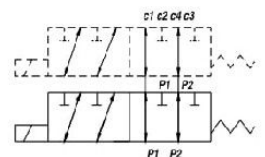
ON REQUEST : EXTERNAL DRAIN P MAX.: 310 bar

VS 281/F

**SELECTEUR DE CIRCUIT ELECTRIQUE (EMPILABLE)
SOLENOID OPERATED DIVERTER VALVE (MODULAR TYPE)**



**DRAINAGE INTERNE
INTERNAL DRAIN**



Code Code	Code Code	Type Type	N° Elements Elements no.	Voies Ports	P1 - P2 C1 - C4 C2 - C3	Q MAX l/min	P MAX bar	L	kg
12 VDC	24 VDC				BSP				
ELVSF280112DC	ELVSF280124DC	VS281/F1-3/8"DZ-6B-DI-*-DIN-N	1	6	1/2"	90	250	66	4,15
ELVSF280212DC	ELVSF280224DC	VS281/F2-3/8"DZ-6B-DI-*-DIN-N	2	8	1/2"	90	250	132	8,30
ELVSF280312DC	ELVSF280324DC	VS281/F3-3/8"DZ-6B-DI-*-DIN-N	3	10	1/2"	90	250	198	12,45
ELVSF280412DC	ELVSF280424DC	VS281/F4-3/8"DZ-6B-DI-*-DIN-N	4	12	1/2"	90	250	264	16,60

*12DC= V12DC 24DC= V24DC

SUR DEMANDE : DRAINAGE EXTERNE P MAX.: 310 bar

ON REQUEST : EXTERNAL DRAIN P MAX.: 310 bar