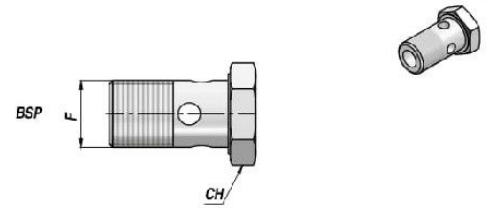


VIS PERCEE
BOLT FOR BANJO

RV431

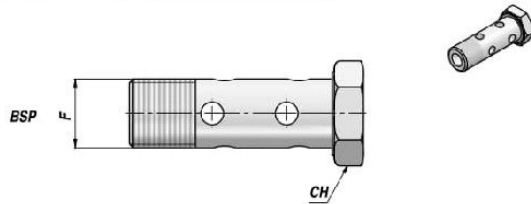


Code Code	F BSP	CH	kg x 100
RV431.0300	1/8"	14	1,30
RV431.0400	1/4"	19	3,32
RV431.0600	3/8"	22	5,69
RV431.0800	1/2"	27	8,93
RV431.1000	5/8"	27	11,00
RV431.1200	3/4"	32	17,50
RV431.1600	1"	41	34,40

MATERIEL : ACIER (SUR DEMANDE : ACIER INOX AISI 316) - MATERIAL : STEEL (ON REQUEST : STAINLESS STEEL AISI 316)

VIS PERCEE 8 TROUS
DOUBLE BOLT FOR BANJO

RV441

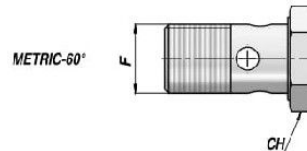


Code Code	F BSP	CH	kg x 100
RV441.0400	1/4"	19	4,02
RV441.0600	3/8"	22	7,45
RV441.0800	1/2"	27	12,65
RV441.1200	3/4"	32	24,60
RV441.1600	1"	41	47,00

MATERIEL : ACIER (SUR DEMANDE : ACIER INOX AISI 316) - MATERIAL : STEEL (ON REQUEST : STAINLESS STEEL AISI 316)

RV432

**VIS PERCEE
BOLT FOR BANJO**



Code Code	F	CH	kg x 100
RV432.1010	M10x1	14	1,25
RV432.1215	M12x1.5	17	2,41
RV432.1415	M14x1.5	19	3,72
RV432.1615	M16x1.5	22	5,00
RV432.1815	M18x1.5	24	7,10
RV432.2015	M20x1.5	27	8,60
RV432.2215	M22x1.5	27	10,25

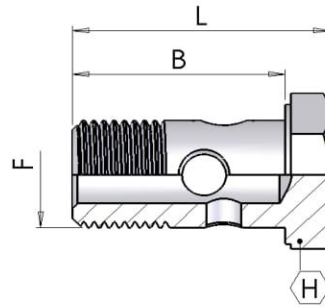
MATERIEL : ACIER (SUR DEMANDE : ACIER INOX AISI 316) - MATERIAL : STEEL (ON REQUEST : STAINLESS STEEL AISI 316)

MATERIEL : ACIER (SUR DEMANDE : ACIER INOX AISI 316) - MATERIAL : STEEL (ON REQUEST : STAINLESS STEEL AISI 316)

Adattatori Miscellanea / Miscellaneous Adaptors

OL2300 Bullone forato Gas

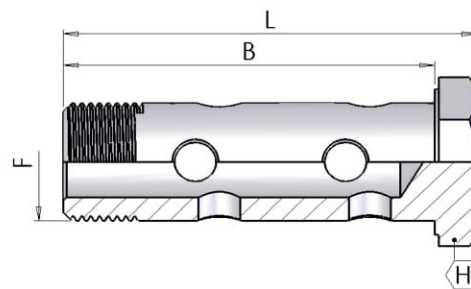
BSP perfored bolt



part number	Dimensions			
	F	B	L	H
OL2300-01	1/8"-28	19	24	14
OL2300-02	1/4"-19	26,5	33	19
OL2300-03	3/8"-19	31	39	22
OL2300-04	1/2"-14	38	46	27
OL2300-05	5/8"-14	42		27
OL2300-06	3/4"-14	47	57	32
OL2300-07	1"-11	58	69	41

OL3600 Bullone forato doppio Gas

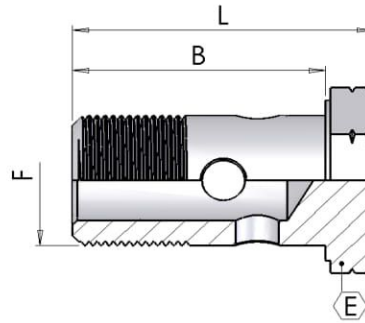
BSP double perfored bolt



part number	Dimensions			
	F	B	L	H
OL3600-01	1/8"	30	35	14
OL3600-02	1/4"	43	49,5	19
OL3600-03	3/8"	50	58	22
OL3600-04	1/2"	64	72	27
OL3600-06	3/4"	80	90	32
OL3600-07	1"	110	121	41

OL2350 Bullone forato metrico

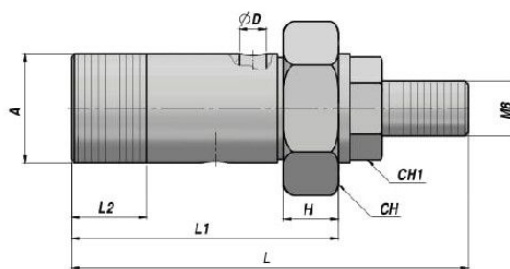
Metric perfored bolt



part number	Dimensions				
	F	B	L	E	
OL2350-00	M10 x 1	19	24	14	
OL2350-01	M12 x 1.5	24	30,5	17	
OL2350-02	M14 x 1.5	27	33	19	
OL2350-03	M16 x 1.5	31	39	22	
OL2350-04	M18 x 1.5	36	44	24	
OL2350-05	M20 x 1.5	36	44	27	
OL2350-06	M22 x 1.5	38	46	27	
OL2350-07	M24 x 1.5	41	49	30	
OL2350-08	M26 x 1.5	43	53	32	
OL2350-09	M30 x 1.5	51	58	38	

VIS D'ETRANGLEMENT
THROTTLE SCREW

VS



Code Code	A BSP	Q MAX l/min	P MAX bar	Type Type	L max	L1	L2	H	ØD	CH	CH1	kg x 100
V2890.1351	1/4"	-	350	VS 1/4"	36	53	15	7	2.5	19	13	5.00
V2890.1361	3/8"	-	350	VS 3/8"	39	58	15	8	3.0	22	13	8.00
V2890.1371	1/2"	-	350	VS 1/2"	46	62	16	8	4.0	27	13	14.00

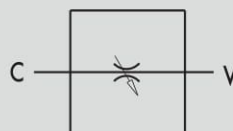
REGLAGE - SETTING : Vis - Screw

MATERIEL CORPS : ACIER
BODY MATERIAL : STEEL

MONTAGE SUR VERIN
CYLINDER MOUNTING

VITE STROZZATRICE

TIPO / TYPE

VSSCHEMA IDRAULICO
HYDRAULIC DIAGRAM

THROTTLE SCREW

IMPIEGO:

Vite utilizzata sugli attuatori come strozzatore bidirezionale nei casi in cui si necessita di una regolazione "grossolana" o quando le dimensioni di ingombro non consentono il montaggio di uno strozzatore in linea. Caratterizzato dal prezzo economico, non offre tuttavia la sicurezza di una valvola di regolazione flusso.

MATERIALI E CARATTERISTICHE:

Corpo: acciaio zincato

MONTAGGIO:

Avvitare la vite direttamente sulle bocche dell'attuatore.

USE AND OPERATION:

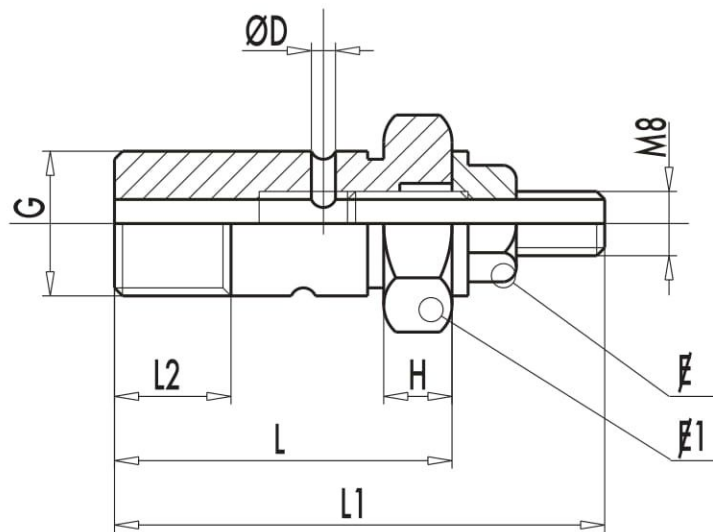
This screw is used on actuators as bi-directional restrictor when adjustment can be a little imprecise or when small dimensions don't allow mounting of an in-line restrictor. It's a very cheap solution, but it doesn't guarantee the same security of a restrictor valves.

MATERIALS AND FEATURES:

Body: zinc-plated steel

APPLICATIONS:

Screw in the screw directly on actuator's ports



CODICE CODE	SIGLA TYPE	G	L	L1	L2	H	D	F	F1	PESO
		GAS	mm	mm	mm	mm	mm	mm	mm	WEIGHT kg
R1351	VITE STROZZATRICE 1/4"	G1/4"	36	53	15	7	2,5	13	19	0,046
R1361	VITE STROZZATRICE 3/8"	G3/8"	39	58	15	8	3	13	22	0,074
R1371	VITE STROZZATRICE 1/2"	G1/2"	46	62	16	8	4	13	27	0,136