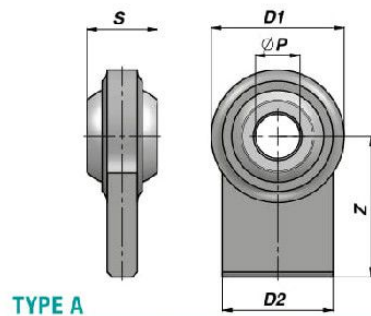


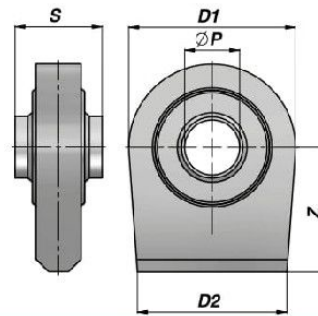
ROTULE AGRICOLE
WELDABLE BALL JOINT END - AGRICULTURAL TYPE

NEW!

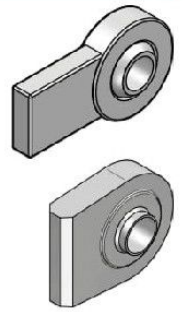
CSR



TYPE A



TYPE B

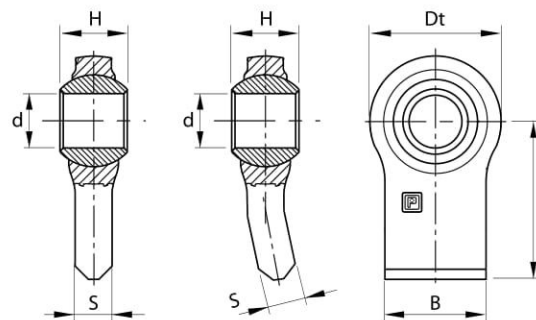


Code Code	TYPE	ØP (A12)	Z	S (h11)	D1	D2	CAT	kg	note
CSR0010490	A	14.0	60	32	46	30	-	0,30	-
* CSR0010495	A	16.0	60	20	46	30	-	0,27	-
CSR0010494	A	18.0	43	35	65	50	-	0,58	-
CSR0010497	A	19.0	43	35	65	50	-	0,56	-
CSR0010496	A	19.0	50	44	52	52	-	0,46	-
CSR0010498	A	22.1	43	35	65	50	1	0,54	Flat Base
CSR0010510	A	22.1	50	35	76	70	1	0,82	-
CSR0010540	A	22.1	55	35	83	70	1	1,18	-
CSR0010503	A	22.1	70	35	66	55	1	0,70	-
CSR0010501	A	22.1	90	35	68	50	1	0,92	-
CSR0010515	A	25.4	50	35	76	70	-	0,78	-
CSR0010550	A	25.4	55	35	83	70	-	1,16	-
CSR0010569	A	25.4	65	45	80	70	-	1,36	-
CSR0010506	A	25.4	80	38	78	70	-	1,14	-
CSR0010566	A	25.4	80	38	80	70	-	1,56	-
CSR0010520	A	26.0	50	35	76	70	-	0,78	-
CSR0010530	A	28.4	50	35	76	70	2	0,76	-
CSR0010560	A	28.4	55	35	83	70	2	1,12	-
CSR0010562	A	28.4	55	45	83	70	2	1,16	-
CSR0010564	A	28.4	55	45	82	70	2	1,22	-
CSR0010570	A	28.4	65	45	80	70	2	1,32	-
CSR0010580	A	28.4	65	45	96	70	2	1,70	-
CSR0010615	A	28.4	65	45	108	80	2	2,16	-
CSR0010507	A	28.4	80	38	78	70	2	1,10	-
CSR0010568	A	28.4	80	38	80	70	2	1,52	-
CSR0010575	A	28.4	80	45	80	70	2	1,54	-
CSR0010579	A	28.4	82	45	90	76	2	1,48	-
CSR0010597	A	32.0	65	45	96	70	-	1,66	-
CSR0010600	A	34.0	65	45	96	70	-	1,62	-
CSR0010612	A	34.0	65	45	108	80	-	2,04	-
CSR0010602	A	35.0	65	45	96	70	-	1,60	-
CSR0010616	A	35.0	65	45	108	80	-	2,00	-
CSR0010604	A	37.0	65	45	96	70	3	1,56	-
CSR0010614	A	37.0	65	45	108	80	3	1,98	-
CSR0010610	A	38.0	65	45	108	80	-	1,96	-
CSR0010617	A	42.0	65	45	108	80	-	1,88	-
CSR0010499	B	19.0	50	35	67	60	-	0,74	-
CSR0010500	B	22.1	50	35	67	60	1	0,72	-
CSR0010505	B	22.1	75	35	67	58	1	0,94	-
CSR0010578	B	28.4	80	35	85	70	2	1,40	-
CSR0010576	B	28.4	80	45	85	70	2	1,44	-

ACCOUPLLEMENT - COUPLING : ACIER/ACIER - STEEL/STEEL

* = Standard

MATERIEL : ACIER C40 - UNI EN 10083-1
MATERIAL : STEEL C40 - UNI EN 10083-1

SUPPORTO A SNODO SFERICO AD ESTREMITA' RETTANGOLARE - FIANCHI DIRITTI
BALL JOINT TERMINAL WITH RECTANGULAR END
BORNE A ROTULE A EXTREMITÉ RECTANGULAIRE
ENDVERSCHLUSS DURCH KUGELGELENK MIT RECHTWINKLINGEND
SOPORTE DE ROTULA ESFERICA CON SOPORTE RECTANGULAR
ACCOPPIAMENTO ACCIAIO SU ACCIAIO - CORPO IN ACCIAIO C. 40 UNI 7845

TYPE A
TYPE B

ART.	CAT.	d (A12)	H (H11)	B	S	Dt	I	TYPE	PESO Kg.
SR 10490	-	14	32	30	11	46	60	A	0.30
SR 10495	-	16	20	30	11	46	60	A	0.27
SR 10496	-	19	44	52	17	52	50	A	0.46
SR 10494	-	18	35	50	15	65	43	A	0.58
SR 10497	-	19	35	50	15	65	43	A	0.56
SR 10498	1	22.1	35	50	15	65	43	A	0.54
SR 10501	1	22.1	35	50	15	68	90	A	0.92
SR 10503	1	22.1	35	55	15	66	70	A	0.70
SR 10506	-	25.4	38	70	18	78	80	A	1.14
SR 10507	2	28.4	38	70	18	78	80	A	1.10
SR 10508	1	22.1	35	60	15	68	90	B	0.98
SR 10510	1	22.1	35	70	18	76	50	A	0.82
SR 10515	-	25.4	35	70	18	76	50	A	0.78
SR 10520	-	26	35	70	18	76	50	A	0.78
SR 10530	2	28.4	35	70	18	76	50	A	0.76
SR 10540	1	22.1	35	70	19	83	55	A	1.18
SR 10550	-	25.4	35	70	19	83	55	A	1.16
SR 10560	2	28.4	35	70	19	83	55	A	1.12
SR 10562	2	28.4	45	70	19	83	55	A	1.16
SR 10564	2	28.4	45	70	20	82	55	A	1.22
SR 10566	-	25.4	38	70	23	80	80	A	1.56
SR 10568	2	28.4	38	70	23	80	80	A	1.52
SR 10575	2	28.4	45	70	23	80	80	A	1.54
SR 10569	-	25.4	45	70	22	80	65	A	1.36
SR 10570	2	28.4	45	70	22	80	65	A	1.32
SR 10590	1/2	22.1/28.4	45	70	22	80	65	A	1.22
SR 10579	2	28.4	45	76	17	90	82	A	1.48
SR 10585	2	28.4	45	70	21	83	110	B	1.84
SR 10580	2	28.4	45	70	22	96	65	A	1.70
SR 10597	-	32	45	70	22	96	65	A	1.66
SR 10600	-	34	45	70	22	96	65	A	1.62
SR 10602	-	35	45	70	22	96	65	A	1.60
SR 10604	3	37	45	70	22	96	65	A	1.56
SR 10610	-	38	45	80	24	108	65	A	1.96
SR 10612	-	34	45	80	24	108	65	A	2.04
SR 10614	3	37	45	80	24	108	65	A	1.98
SR 10615	2	28.4	45	80	24	108	65	A	2.16
SR 10616	-	35	45	80	24	108	65	A	2.00
SR 10617	-	42	45	80	24	108	65	A	1.88
SR 10636	2	28.4	45	94	30	94	86	A	2.58
SR 10637	-	38	45	94	30	94	86	A	2.38

SUPPORTO A SNODO SFERICO PER BRACCI INFERIORI - FIANCHI INCLINATI

WEND ON BALL ENDS

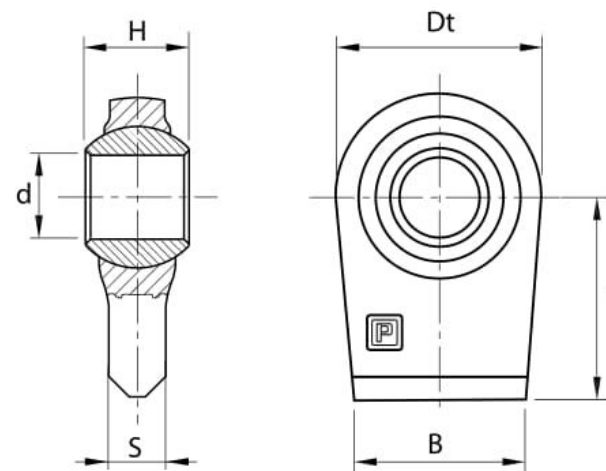
ROTULE A SOUDER, PALTES, COTES INCLINES

ANSCHWEISSENDEN

SOPORTE CON ROTULA PARA EL BRAZO INFERIOR

ACCOPIAMENTO ACCIAIO SU ACCIAIO CORPO IN ACCIAIO C. 40 UNI 7845

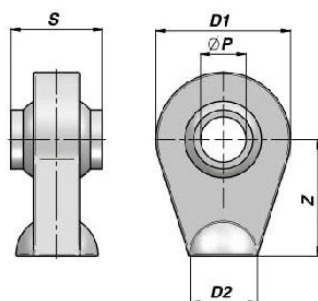
ART.	CAT.	d (A12)	H (h11)	B	S	Dt	I	PESO Kg.
SR 10499	-	19	35	60	18	67	50	0.74
SR 10500	1	22.1	35	60	18	67	50	0.72
SR 10505	1	22.1	35	58	18	67	75	0.94
SR 10576	2	28.4	45	70	18	85	80	1.44
SR 10577	1/2	22.1/28.4	45	70	18	85	80	1.34
SR 10578	2	28.4	35	70	18	85	80	1.40



CSR

NEW!

ROTULE AGRICOLE
WELDABLE BALL JOINT END - AGRICULTURAL TYPE



TYPE D

Code Code	TYPE	ØP (A12)	Z	S (h11)	D1	D2	CAT	kg	note
CSR0010693	D	14.0	50	44	55	25	-	0,46	Rough Base
CSR0010727	D	19.0	46	35	70	30	1	0,64	Flat Base
CSR0010694	D	19.0	50	30	55	25	1	0,40	Rough Base
CSR0010724	D	19.0	50	35	62	26	1	0,54	Flat Base
CSR0010695	D	19.0	50	44	55	25	1	0,42	Rough Base
CSR0010705	D	19.0	50	44	62	30	1	0,54	Flat Base
* CSR0010708	D	19.0	58	44	62	34	1	0,60	"
CSR0010710	D	19.0	60	44	62	34	1	0,62	"
CSR0010697	D	19.0	65	44	55	26	1	0,50	Rough Base
CSR0010737	D	19.0	65	51	75	38	1	1,02	Flat Base
CSR0010696	D	20.0	50	44	55	25	-	0,41	Rough Base
* CSR0010720	D	20.0	58	44	62	34	-	0,61	Flat Base
CSR0010709	D	20.0	60	44	62	34	-	0,59	"
* CSR0010725	D	22.1	50	35	62	26	-	0,52	"
CSR0010707	D	22.1	58	44	62	34	-	0,58	"
CSR0010712	D	22.1	60	44	62	34	-	0,60	"
CSR0010730	D	22.1	65	51	75	38	-	0,98	"
CSR0010746	D	22.1	70	51	72	45	-	1,18	"
CSR0010756	D	22.1	70	51	85	50	-	1,64	"
CSR0010735	D	25.4	65	40	75	38	2	0,90	"
* CSR0010740	D	25.4	65	51	75	38	2	0,94	"
CSR0010750	D	25.4	65	51	83	50	2	1,38	"
CSR0010741	D	25.4	70	51	75	31	2	0,90	"
CSR0010742	D	25.4	70	51	72	45	2	1,14	"
CSR0010760	D	25.4	70	51	85	50	2	1,62	"
CSR0010791	D	25.4	85	51	90	40	2	1,68	"
CSR0010800	D	29.0	65	55	83	50	-	1,38	"
CSR0010805	D	30.0	65	42	83	50	-	1,30	"
CSR0010818	D	30.0	65	42	92	50	-	1,52	"
CSR0010739	D	30.0	65	51	75	38	-	0,88	"
* CSR0010810	D	30.0	65	55	83	50	-	1,36	"
CSR0010817	D	30.0	65	55	92	50	-	1,58	"
CSR0010748	D	30.0	70	51	72	45	-	1,08	"
CSR0010780	D	30.0	70	51	85	50	-	1,56	"
CSR0010792	D	30.0	85	51	90	40	-	1,64	"
CSR0010807	D	32.0	65	51	83	50	3	1,30	"
CSR0010825	D	32.0	65	51	92	50	3	1,54	"
CSR0010793	D	32.0	85	51	90	40	3	1,58	"
* CSR0010812	D	35.0	65	35	83	50	-	1,20	"
CSR0010819	D	35.0	65	35	92	50	-	1,42	"
CSR0010815	D	35.0	65	55	83	50	-	1,24	"
CSR0010795	D	35.0	85	55	90	40	-	1,52	"
CSR0010821	D	40.0	60	75	108	58	-	2,76	"
CSR0010820	D	40.0	85	75	108	60	-	3,42	"
CSR0010841	D	45.0	60	75	108	58	-	2,56	"
* CSR0010840	D	45.0	85	75	108	60	-	3,22	"
CSR0010861	D	50.0	60	75	108	58	-	2,36	"
* CSR0010860	D	50.0	85	75	108	60	-	3,02	"

ACCOUPLLEMENT - COUPLING: ACIER/ACIER - STEEL/STEEL

* = Standard

MATERIEL : ACIER C40 - UNI EN 10083-1
MATERIAL : STEEL C40 - UNI EN 10083-1

**SUPPORTO A SNODO SFERICO AD ESTREMITA' ROTONDA PER CILINDRI IDRAULICI.
DA SALDARE O CON FILETTATURA INTERNA-**

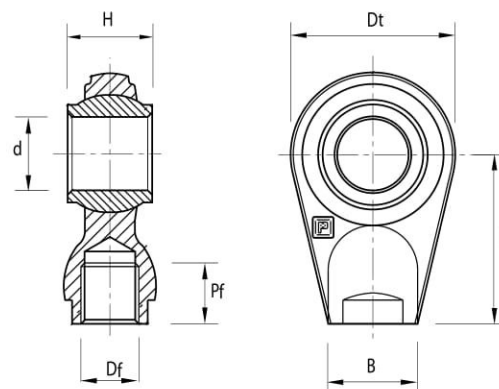
BALL JOINT TERMINAL WITH ROUND END TO BE WELDED OR WITH INNER THREAD.

BORNE A ROTULE A EXTREMITÉ RONDE. A SOUDER OU BIEN AVEC FILET À L'INTERIEUR.

**ENDVERSCHLUSS DURCH KUGELGELENK MIT RUNDENDUNG ZU
SCHWEISSEN ODER MIT INNENGEWINDE.**

**SOPORTE CON ROTULA PARA CILINDRO HIDRAULICO,
PARA SOLDAR O CON ROSCA INTERNA**

ACCOPPIAMENTO ACCIAIO SU ACCIAIO CORPO IN ACCIAIO C. 40 UNI 7845



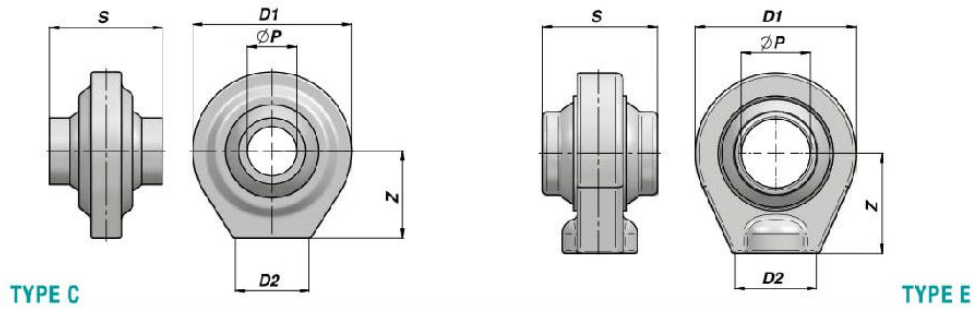
ART.	CAT.	d (A12)	H (H11)	B (Ø)	Dt	l	Df	Pf	NOTE	PESO Kg.
SR 10693	-	14	44	25	55	50	-	-	BASE GREZZA	0.46
SR 10694	1	19	30	25	55	50	-	-	BASE GREZZA	0.40
SR 10695	1	19	44	25	55	50	-	-	BASE GREZZA	0.42
SR 10696	-	20	44	25	55	50	-	-	BASE GREZZA	0.41
SR 10697	1	19	44	26	55	65	-	-	BASE GREZZA	0.50
SR 10700	1	19	44	30X13	62	34	-	-	BASE GREZZA	0.44
SR 10702	-	20	44	30X13	62	34	-	-	BASE GREZZA	0.43
SR 10704	-	22.1	44	30X13	62	34	-	-	BASE GREZZA	0.42
SR 10705	1	19	44	30	62	50	-	-	BASE SPIANATA	0.54
SR 10707	-	22.1	44	34	62	58	-	-	BASE SPIANATA	0.58
SR 10708	1	19	44	34	62	58	-	-	BASE SPIANATA	0.60
SR 10709	-	20	44	34	62	58	-	-	BASE SPIANATA	0.59
SR 10710	1	19	44	34	62	60	-	-	BASE SPIANATA	0.62
SR 10712	-	22.1	44	34	62	60	-	-	BASE SPIANATA	0.60
SR 10720	-	20	44	34	62	60	-	-	BASE SPIANATA	0.61
SR 10724	1	19	35	26	62	50	-	-	BASE SPIANATA	0.54
SR 10725	-	22.1	35	26	62	50	-	-	BASE SPIANATA	0.52
SR 10727	1	19	35	30	70	46	-	-	BASE SPIANATA	0.64
SR 10730	-	22.1	51	38	75	65	-	-	BASE SPIANATA	0.98
SR 10735	2	25.4	40	38	75	65	-	-	BASE SPIANATA	0.90
SR 10737	1	19	51	38	75	65	-	-	BASE SPIANATA	1.02
SR 10739	-	30	51	38	75	65	-	-	BASE SPIANATA	0.88
SR 10740	2	25.4	51	38	75	65	-	-	BASE SPIANATA	0.94
SR 10741	2	25.4	51	31	75	70	-	-	BASE SPIANATA	0.90
SR 10742	2	25.4	51	45	72	70	-	-	BASE SPIANATA	1.14
SR 10744	1	19	51	45	72	70	-	-	BASE SPIANATA	1.22
SR 10746	-	22.1	51	45	72	70	-	-	BASE SPIANATA	1.18
SR 10748	-	30	51	45	72	70	-	-	BASE SPIANATA	1.08
SR 10756	-	22.1	51	50	85	70	-	-	BASE SPIANATA	1.64
SR 10759	1	19	51	50	85	70	-	-	BASE SPIANATA	1.68
SR 10760	2	25.4	51	50	85	70	-	-	BASE SPIANATA	1.62
SR 10768	-	22.1	51	50	85	70	M27X2	27	BASE SPIANATA	1.50
SR 10769	1	19	51	50	85	70	M27X2	27	BASE SPIANATA	1.54
SR 10770	2	25.4	51	50	85	70	M27X2	27	BASE SPIANATA	1.46
SR 10780	-	30	51	50	85	70	-	-	BASE SPIANATA	1.56
SR 10790	-	30	51	50	85	70	M27X2	27	BASE SPIANATA	1.40

A RICHIESTA FORO (d) RETTIFICATO - RECTIFIED HOLE ON REQUEST - TROU RECTIFIÉ SUR DEMANDE - BOHRUNG D GESCHLIFFEN - BAJO PETICION AGUJERO RECTIFICADO

ROTULE AGRICOLE
WELDABLE BALL JOINT END - AGRICULTURAL TYPE

NEW!

CSR



Code Code	TYPE	ØP (A12)	Z	S (h11)	D1	D2	CAT	kg	note
CSR0010700	C	19.0	34	44	62	30x13	1	0,44	Milled Base
CSR0010702	C	20.0	34	44	62	30x13	-	0,43	Rough Base
CSR0010704	C	22.1	34	44	62	30x13	-	0,42	"
* CSR0010880	E	60 (H7)	87	100	140	75	-	5,66	"

ACCOUPLLEMENT - COUPLING : ACIER/ACIER - STEEL/STEEL

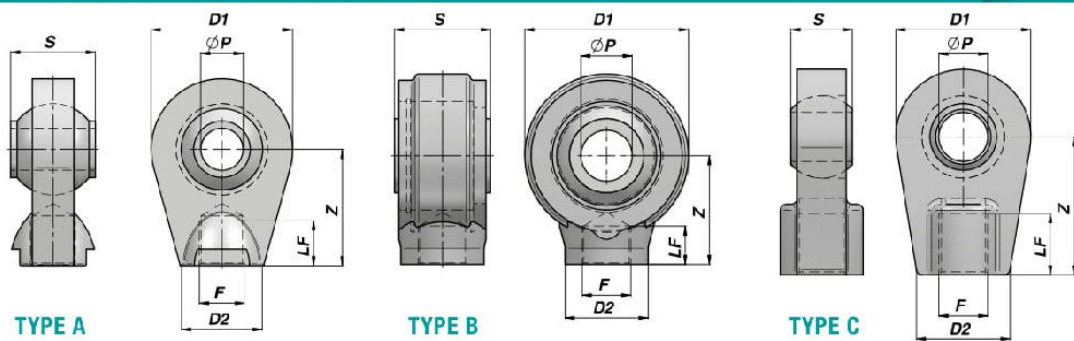
* - Standard

MATERIEL : ACIER C40 - UNI EN 10083-1
MATERIAL : STEEL C40 - UNI EN 10083-1

EMBOUT TARAUDE AGRICOLE
THREADED BALL-JOINT END - AGRICULTURAL TYPE

NEW!

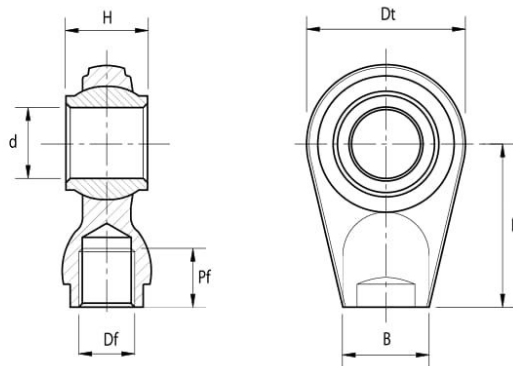
CSR



Code Code	TYPE	ØP (A12)	Z	S (h11)	D1	D2	F	kg	note
CSR0010769	A	19.0	70	51	85	50	M27x2	27	1,54
CSR0010768	A	22.1	70	51	85	50	M27x2	27	1,50
CSR0010770	A	25.4	70	51	85	50	M27x2	27	1,46
CSR0010790	A	30.0	70	51	85	50	M27x2	27	1,40
CSR0010794	A	32.0	85	51	90	40	M27x2	27	1,44
CSR0010830	A	40.0	85	75	108	60	M38x2	28	3,10
CSR0010850	A	45.0	85	75	108	60	M38x2	28	2,90
CSR0010870	A	50.0	85	75	108	60	M38x2	28	2,70
CSR0010874	B	40.0	85	75	128	65	M38x2	28	6,16
CSR0010875	B	45.0	85	75	128	65	M38x2	28	5,96
CSR0010876	B	50.0	85	75	128	65	M38x2	28	5,76
CSR0010900	C	16.0	45	20	44	27	M16x1.5	20	0,28
CSR0010910	C	20.0	45	20	44	27	M18x1.5	20	0,25
CSR0010920	C	25.0	60	30	61	35	M20x1.5	25	0,80
CSR0010930	C	30.0	60	30	61	35	M22x1.5	25	0,72
CSR0010940	C	35.0	80	40	80	45	M27x2	35	1,70
CSR0010950	C	40.0	80	40	80	45	M30x2	35	1,60

ACCOUPLLEMENT - COUPLING : ACIER/ACIER - STEEL/STEEL

MATERIEL : ACIER C40 - UNI EN 10083-1
MATERIAL : STEEL C40 - UNI EN 10083-1



SR...

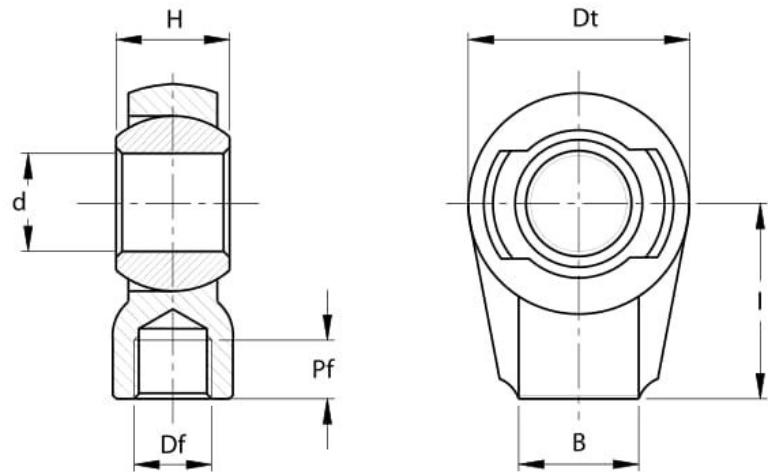
BRACKETS WITH SPHERICAL PLAIN BEARINGS WITH ROUND ENDS FOR HYDRAULIC CYLINDERS. TO BE WELDED OR WITH INTERNAL THREAD.

MATERIAL: STEEL C. 40 UNI 7845
COUPLING STEEL/STEEL



ARTICLE	CAT.	d (A12)	H (h11)	B (Ø)	Dt	I	Df	Pf	NOTES	WEIGHT Kg.
SR 10791	2	25.4	51	40	90	85	-	-	FLATTENED BASE	1.68
SR 10792	-	30	51	40	90	85	-	-	FLATTENED BASE	1.64
SR 10793	3	32	51	40	90	85	-	-	FLATTENED BASE	1.58
SR 10794	3	32	51	40	90	85	M27X2	27	FLATTENED BASE	1.44
SR 10795	-	35	55	40	90	85	-	-	FLATTENED BASE	1.52
SR 10796	1/2	19/25.4	45X45	40	90	85	-	-	FLATTENED BASE	1.56
SR 10750	2	25.4	51	50	83	65	-	-	FLATTENED BASE	1.38
SR 10800	-	29	55	50	83	65	-	-	FLATTENED BASE	1.38
SR 10805	-	30	42	50	83	65	-	-	FLATTENED BASE	1.30
SR 10807	3	32	51	50	83	65	-	-	FLATTENED BASE	1.30
SR 10810	-	30	55	50	83	65	-	-	FLATTENED BASE	1.36
SR 10812	-	35	35	50	83	65	-	-	FLATTENED BASE	1.20
SR 10815	-	35	55	50	83	65	-	-	FLATTENED BASE	1.24
SR 10816	-	29	55	50	92	65	-	-	FLATTENED BASE	1.60
SR 10817	-	30	55	50	92	65	-	-	FLATTENED BASE	1.58
SR 10818	-	30	42	50	92	65	-	-	FLATTENED BASE	1.52
SR 10825	3	32	51	50	92	65	-	-	FLATTENED BASE	1.54
SR 10819	-	35	35	50	92	65	-	-	FLATTENED BASE	1.42
SR 10821	-	40	75	58	108	60	-	-	FLATTENED BASE	2.76
SR 10841	-	45	75	58	108	60	-	-	FLATTENED BASE	2.56
SR 10861	-	50	75	58	108	60	-	-	FLATTENED BASE	2.36
SR 10820	-	40	75	60	108	85	-	-	FLATTENED BASE	3.42
SR 10830	-	40	75	60	108	85	M38X2	28	FLATTENED BASE	3.10
SR 10840	-	45	75	60	108	85	-	-	FLATTENED BASE	3.22
SR 10850	-	45	75	60	108	85	M38X2	28	FLATTENED BASE	2.90
SR 10860	-	50	75	60	108	85	-	-	FLATTENED BASE	3.02
SR 10870	-	50	75	60	108	85	M38X2	28	FLATTENED BASE	2.70
SR 10880	-	60 (H7)	100	75	140	87	-	-	FLATTENED BASE	5.66

RECTIFIED HOLE (d) UPON REQUEST



SR...

SUPPORTO CON SNODO
SFERICO SMONTABILE

- ACCOPPIAMENTO ACCIAIO SU ACCIAIO
- CORPO IN ACCIAIO C. 40 UNI 7845



SIGLA	d (A12)	H (h11)	B (Ø)	Dt	I	Df	Pf	NOTE	PESO IN Kg.
SR 10900	16	20	27	44	45	M16X1.5	20	BASE SPIANATA	0.28
SR 10910	20	20	27	44	45	M18X1.5	20	BASE SPIANATA	0.25
SR 10920	25	30	35	61	60	M20X1.5	25	BASE SPIANATA	0.80
SR 10930	30	30	35	61	60	M22X1.5	25	BASE SPIANATA	0.72
SR 10940	35	40	45	80	80	M27X2	35	BASE SPIANATA	1.70
SR 10950	40	40	45	80	80	M30X2	35	BASE SPIANATA	1.60

FORO **d** RETTIFICATO
A RICHIESTA SI ESEGUONO FILETTATURE SPECIALI

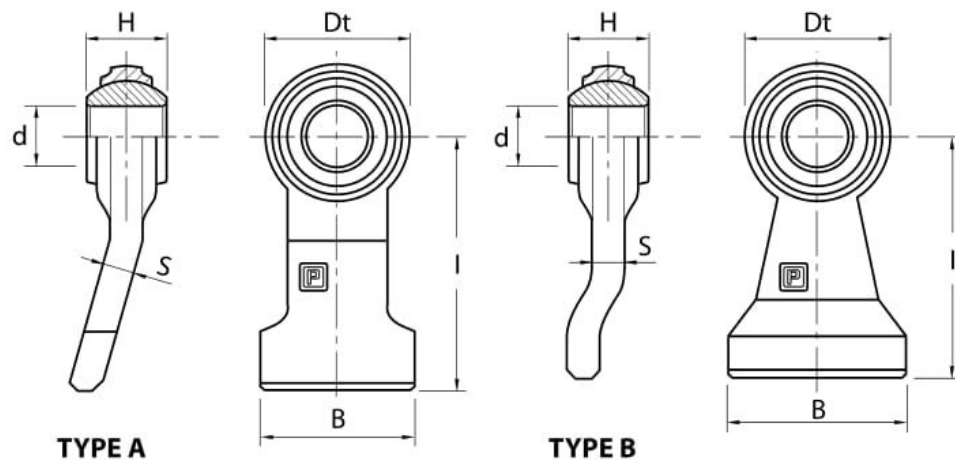
**SUPPORTO A SNODO SFERICO PER BRACCI INFERIORI
PIATTO PIEGATO TIPO FIAT 1000-1300**

ROTULE A SOUDER, POUR BRAS FIAT TYPE 1000 - 1300

ANSCHWEISSENDE ZU FIAT SCHLEPPER 1000 - 1300

SOPORTE CON ROTULA PARA BRAZO INFERIOR PARA SOLDAR TIPO FIAT 1000-1300

ACCOPIAMENTO ACCIAIO SU ACCIAIO CORPO IN ACCIAIO C. 40 UNI 7845



ART.	CAT.	d (A12)	H (H11)	B	S	Dt	I	PESO Kg.	TYPE	RIF. ORIG. FIAT
SR 10620	2	28.4	45	100	21	80	130	2.24	A	01930293
SR 10621	2	28.4	45	100	32	100	130	3.52	B	-
SR 10622	-	35	45	100	32	100	130	3.38	B	4997106
SR 10624	3	37	45	100	32	100	130	3.34	B	-

**SUPPORTO A SNODO SFERICO AD ESTREMITA' ROTONDA
PER CILINDRI IDRAULICI. DA SALDARE -**

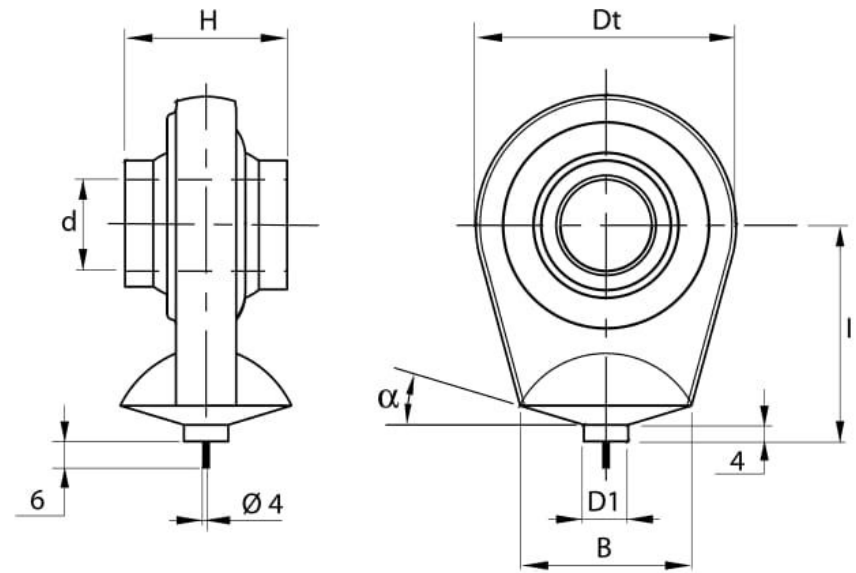
BALL JOINT TERMINAL WITH ROUND END TO BE WELDED

BORNE A ROTULE A EXTREMITE RONDE A SOUDER.

ENDVERSCHLUSS DURCH KUGELGELENK MIT RUNDENDUNG ZU SCHWEISSEN

SOPORTE CON ROTULA PARA CILINDRO HIDRAULICO PARA SOLDAR

ACCOPIAMENTO ACCIAIO SU ACCIAIO CORPO IN ACCIAIO C. 40 UNI 7845



ART.	CAT.	d (A12)	H (H11)	B (Ø)	Dt	I	D1	α GRADI	PESO Kg.
SR 10731	1	19	51	35	75	55	12	15	0.88
SR 10732	-	22.1	51	35	75	55	12	15	0.87
SR 10736	2	25.4	51	35	75	55	12	15	0.84
SR 10733	-	28.4	51	35	75	55	12	15	0.82
SR 10738	-	30	51	35	75	55	12	15	0.78
SR 10808	-	30	55	45	83	65	20	20	1.50
SR 10811	3	32	51	45	83	65	20	20	1.40
SR 10814	-	35	55	45	83	65	20	20	1.42