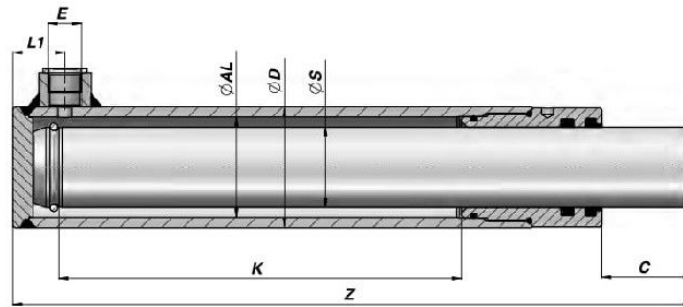


HTO

VERIN PLONGEUR STANDARD
STANDARD PLUNGER CYLINDER

Series M250



Code Code	K	Z	kg	E BSP	L1	C
ØD 50 ØAL 40 ØS 30						
HT02300200	200	326	3,67	3/8"	23	40
HT02300250	250	376	4,22			
HT02300300	300	426	4,78			
HT02300350	350	476	5,33			
HT02300400	400	526	5,89			
HT02300500	500	626	7,00			
ØD 60 ØAL 50 ØS 40						
HT03400200	200	338	5,67	3/8"	26	45
HT03400300	300	438	7,34			
HT03400400	400	538	9,00			
HT03400500	500	638	10,67			
HT03400600	600	738	12,35			
ØD 70 ØAL 60 ØS 50						
HT04500300	300	450	10,60	3/8"	30	50
HT04500400	400	550	12,94			
HT04500500	500	650	15,28			
HT04500600	600	750	17,62			

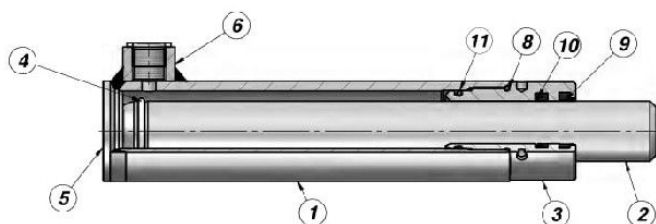
MATERIEL TUBE : ACIER S1 52.3 DIN 2393 ISO H9
TUBE MATERIAL : STEEL S1 52.3 DIN 2393 ISO H9

MATERIEL TIGE : ACIER UNI C45 SAE 1045 CHROME 25 µm ±5 Rating 9 / 200h ISO 10289 - 1999/ISO 9227-NSS
ROD MATERIAL : STEEL UNI C45 SAE 1045 CHROME 25 µm ±5 Rating 9 / 200h ISO 10289 - 1999/ISO 9227-NSS

CARACTERISTIQUES TECHNIQUES : VOIR PAGE 40 - TECHNICAL SPECIFICATIONS : SEE PAGE 40

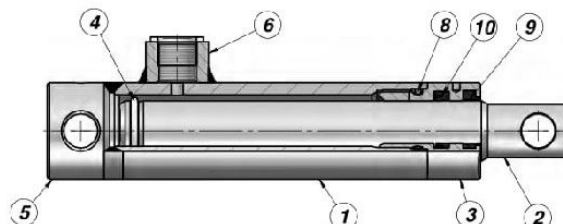
CARACTERISTIQUES TECHNIQUES TECHNICAL SPECIFICATIONS

TYPE "HTO"



"HTO" Pression Maxi - Max. Pressure: 250 Bar (**)

TYPE "HFRT"



"HFRT" Pression Maxi - Max. Pressure: 250 Bar (**)

PRODUIT - PRODUCT			MATERIEL - MATERIAL	
1	TUBE GLACE POLISHED TUBE		ACIER: St 52.3 DIN 2393 ISO H9 STEEL: St 52.3 DIN 2393 ISO H9	
2	TIGE CHROMEE CHROMED ROD		ACIER: UNIC45-SAE 1045 - CHROME 25µm±5 Rating 9/200h (<ø20120h) ISO 10289-1999/SO 9227-NSS STEEL: UNIC45-SAE 1045 - CHROME 25µm±5 Rating 9/200h (<ø20120h) ISO 10289-1999/SO 9227-NSS	
3	TETE DE GUIDAGE HEAD BUSH	TYPE : "HTO" TYPE: "HTO"	FONTE: EN-GJL 250 (G25-UNI 5007 / EN 1561) HYDRAULIC CAST IRON: EN-GJL 250 (G25-UNI 5007 / EN 1561)	
3	TETE DE GUIDAGE HEAD BUSH	TYPE : "HFRT" TYPE: "HFRT"	ACIER: 9SMn28 AVEC TRAITEMENT "NI-TEMPER" STEEL: 9SMn28 WITH "NI-TEMPER" TREATMENT	
4	JONC D'ARRET TIGE STOP RING		ACIER: 9SMn28 STEEL: 9SMn28	
5	FOND END PLUG		ACIER: S355J0 (Fe510C) - S355JR (A105) STEEL: S355J0 (Fe510C) - S355JR (A105)	
6	BOSSAGE TARAUDE THREADED PORT		ACIER STEEL	
8	JOINT: O-RING SEAL: O-RING	TYPE : "HTO" TYPE: "HTO"	NBR 70 SHORE NBR 70 SHORE	
8	JOINT: O-RING SEAL: O-RING	TYPE : "HFRT" TYPE: "HFRT"	NBR 90 SHORE NBR 90 SHORE	
9	JOINT: GHK SEAL: GHK		POLYURETHANE POLYURETHANE	
10	JOINT: TSE-TTS-TT/L SEAL: TSE-TTS-TT/L		TSE: NBR+TISSU TTS-TT/L: POLYURETHANE TSE: NBR+FABRIC TTS-TT/L: POLYURETHANE	
11	JOINT: O-RING SEAL: O-RING		NBR 70 SHORE NBR 70 SHORE	

Vitesse Maxi - Top Speed: max 0,5 m/s

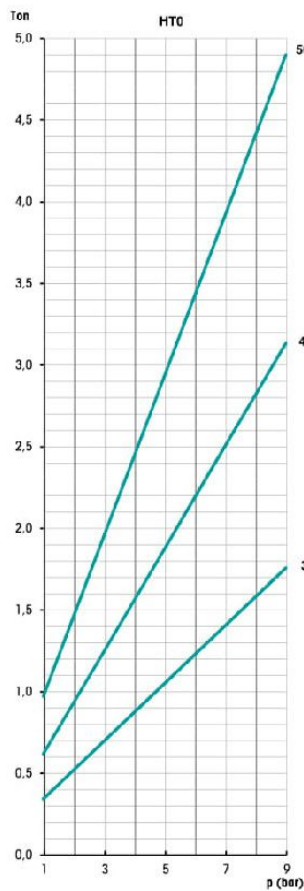
Température C° - Temperature C°: -25°C - +80°C

(**) La valeur de pression est toujours à vérifier selon l'application du vérin.

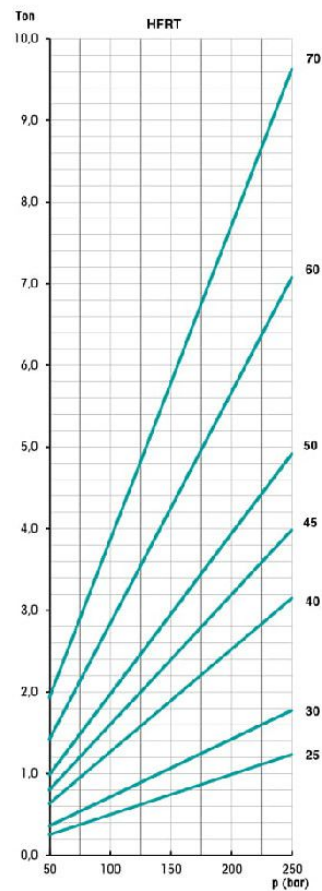
(**) The pressure value is always to be checked depending on the application of the cylinders.

CARACTERISTIQUES TECHNIQUES
TECHNICAL SPECIFICATIONS

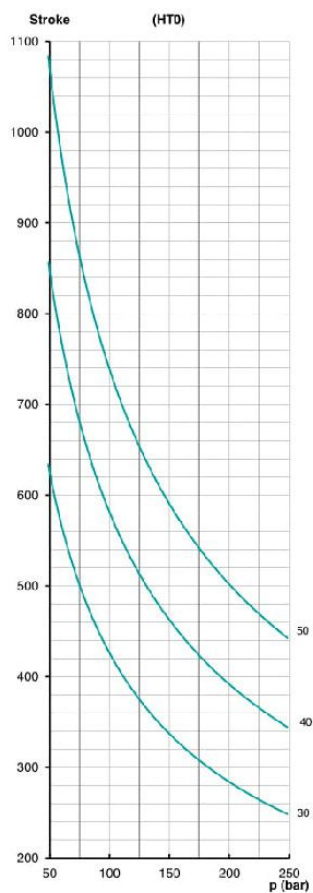
FORCE DE POUSSEE - OUTPUT FORCE (HTO)



FORCE DE POUSSEE - OUTPUT FORCE (HFRT)



FLAMBAGE - BUCKLING (HTD)



FLAMBAGE - BUCKLING (HFRT)

