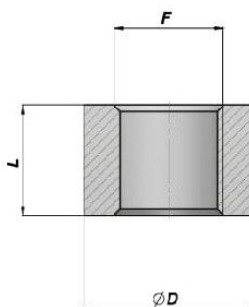


CBS

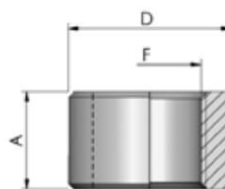
BOSSE TARAUDE
THREADED PORT



Code Code	F BSP	L	ØD	kg x100	Code Code	F	L	ØD	kg x100
CBSC220300	1/8"	14.0	20	2,80	CBSC221215	M12x1.5	16	22	3,70
CBSC220400	1/4"	16.0	22	3,50	CBS0001415014	M14x1.5	14	22	2,80
CBS0400013	1/4"	13.0	22	2,80	CBSC221415	M14x1.5	16	22	3,20
CBSC220600	3/8"	17.0	26	4,70	CBSC221615	M16x1.5	17	26	4,90
CBS0600015	3/8"	15.0	26	4,20	CBS0001815014	M18x1.5	14	28	4,40
CBSC220800	1/2"	18.0	30	6,10	CBSC221815	M18x1.5	18	28	5,70
CBSC221200	3/4"	20.0	38	10,50	CBSC222015	M20x1.5	18	30	6,10
CBSC221600	1"	25.0	45	16,90	CBSC222215	M22x1.5	18	30	5,30
CBSC222000	1*1/4	24.5	55	22,60					
CBSC222400	1*1/2	30.0	60	28,90					
CBSC223200	2"	30.0	70	30,70					

MATERIEL : ACIER

MATERIAL : STEEL



WELD ADAPTORS
ADATTATORI A SALDARE

BSG

BSPP WELD BOSS
BORCHIA A SALDARE BSPP

Notes

* WHILE STOCKS LAST

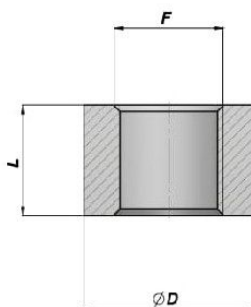
Note

* ARTICOLO IN ESAURIMENTO

Code Article <i>Codice Articolo</i>	Thread <i>Filetto</i>	Dimensions (mm) <i>Dimensioni (mm)</i>	
		F	A
BSG02	1/8-28	16	19
BSG04	1/4-19	16	22
BSG06	3/8-19	17	26
BSG08	1/2-14	18	30
BSG10*	5/8-14	19	32
BSG12	3/4-14	20,4	36
BSG16	1"-11	24,5	46
BSG20	1"1/4-11	26	56
BSG24	1"1/2-11	30,5	60
BSG32	2"-11	30,5	70

CBS

**BOSSAGE TARAUDE
THREADED PORT**

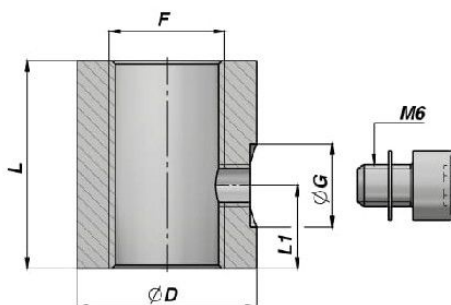


Code Code	F BSP	L	ØD	kg x100	Code Code	F	L	ØD	kg x100
CBS0300000	1/8"	14.0	20	2,80	CBS0001215	M12x1.5	16	22	3,70
CBS0400000	1/4"	16.0	22	3,50	CBS0001415014	M14x1.5	14	22	2,80
CBS0400013	1/4"	13.0	22	2,80	CBS0001415	M14x1.5	16	22	3,20
CBS0600000	3/8"	17.0	26	4,70	CBS0001615	M16x1.5	17	26	4,90
CBS0600015	3/8"	15.0	26	4,20	CBS0001815014	M18x1.5	14	28	4,40
CBS0800000	1/2"	18.0	30	6,10	CBS0001815	M18x1.5	18	28	5,70
CBS1200000	3/4"	20.0	38	10,50	CBS0002015	M20x1.5	18	30	6,10
CBS1600000	1"	25.0	45	16,90	CBS0002215	M22x1.5	18	30	5,30
CBS2000000	1*1/4	24.5	55	22,60					
CBS2400000	1*1/2	30.0	60	28,90					
CBS3200000	2"	30.0	70	30,70					

MATERIEL : ACIER
MATERIAL : STEEL

CBSS

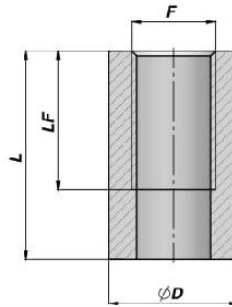
**BOSSAGE TARAUDE AVEC PURGE
THREADED PORT WITH BLEEDER**



Code Code	F BSP	L	ØD	ØG	L1	kg x 100
CBSS0430M6	1/4"	30	22	12	12	6,40
CBSS0630M6	3/8"	30	26	12	12	8,20
CBSS0830M6	1/2"	30	30	12	12	10,10

MATERIEL : ACIER
MATERIAL : STEEL

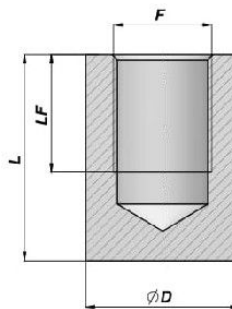
BOSSAGE HAUT TARAUDE
HIGH THREADED PORT

CBSP


Code Code	F BSP	LF	L	ØD	kg x 100
CBSP040000	1/4"	27	40	22	8,60
CBSP060000	3/8"	28	42	26	11,70
CBSP080000	1/2"	33	48	30	16,30

MATERIEL : ACIER
 MATERIAL : STEEL

BOSSAGE BORGNE TARAUDE
BLIND THREADED PORT

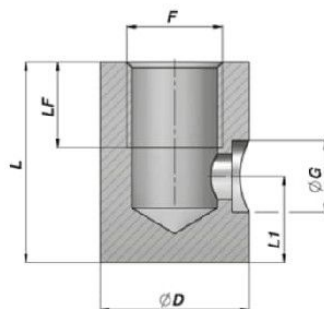
CBSL


Code Code	F BSP	LF	L	ØD	kg x 100
CBSL040000	1/4"	13	30	22	7,30
CBSL060000	3/8"	20	35	26	10,70
CBSL080000	1/2"	22	35	30	13,80

MATERIEL : ACIER
 MATERIAL : STEEL

CBSLT

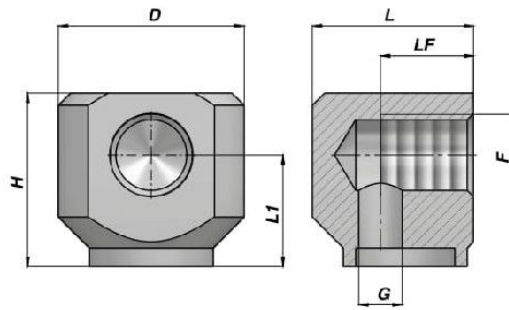
BOSSAGE TARAUDE POUR TUBE HYDRAULIQUE
THREADED PORT FOR FEED PIPE



Code Code	F BSP	LF	L	ØD	ØG	L1	kg x 100
CBSLT04010	1/4"	15	30	22	10,5	12	6,90
CBSLT06012	3/8"	15	35	26	12,5	15	10,50
CBSLT08015	1/2"	15	35	30	15,5	15	13,20

MATERIEL : ACIER

MATERIAL : STEEL

BLOC ENTREE HUILE
OIL INLET SUPPORT
CBLT


Code Code	F BSP	LF	L	ØD	H	ØG	L1	kg	Boîte Box	Pcs Pcs
CBLT040000	1/4"	15	26.0	30	28	7	18	0,10	Z50CBLT040000	50
CBLT060000	3/8"	20	30.5	35	30	8	18	0,15	Z50CBLT060000	50
CBLT080000	1/2"	22	40.0	45	38	12	23	0,33	Z50CBLT080000	50

MATERIEL : ACIER S355JO (Fe510C) - S355JR (A105)

MATERIAL : STEEL S355JO (Fe510C) - S355JR (A105)