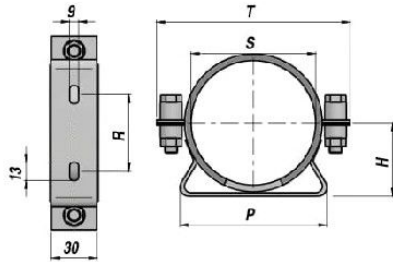
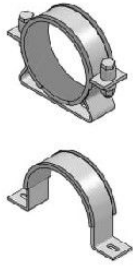
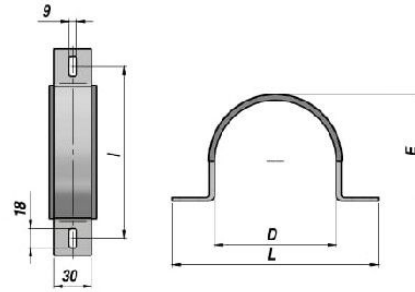


ACR-ACRE

COLLIERS POUR FIXAGE ACCUMULATEURS
MOUNTING CLAMPS FOR ACCUMULATORS



ACR



ACRE

Code Code	Type Type	S	R	T	H	P	L	I	D	E	kg
ACR1140000	CR 114	114 ÷ 116	100	180	66	137	-	-	-	-	0,84
ACR1680000	CR 168	168 ÷ 172	148	230	93	180	-	-	-	-	1,00
ACR2230000	CR 223	216 ÷ 225	216	290	110	253	-	-	-	-	1,22
ACRE070000	CRE 70	-	-	-	-	-	125	99	70	68	0,12
ACRE092000	CRE 92	-	-	-	-	-	150	125	92	90	0,15
ACRE115000	CRE 115	-	-	-	-	-	185	160	115	113	0,20
ACRE125000	CRE 125	-	-	-	-	-	190	165	125	123	0,25
ACRE138000	CRE 138	-	-	-	-	-	215	190	138	136	0,30

MATERIEL : ACIER
MATERIAL : STEEL

COLLARI E MENSOLE CLAMPS AND BRACKETS

CR – CRE MCR – CRO

Costruiti appositamente per l'installazione ed il fissaggio degli accumulatori, sono completi degli anelli di supporto in gomma.

Disponibili a richiesta:

- Dimensioni fuori standard
- Acciaio inox

Designed for specific use on accumulator installation, both clamps and brackets are supplied with rubber support rings.

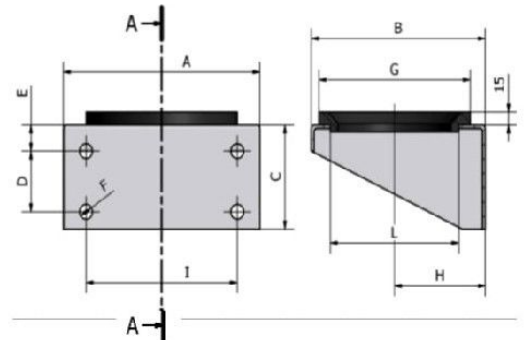
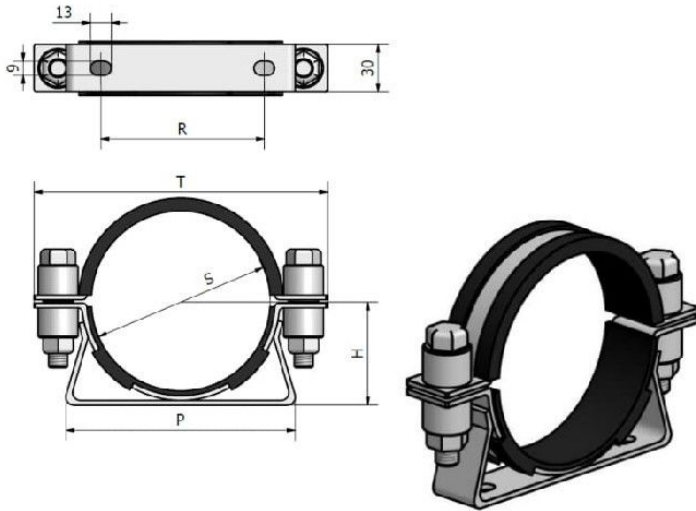
Available upon request:

- Out of standard sizes
- Stainless steel

COLLARE / CLAMPS		CR				
Modello Model		S	R	T	H	P
CR	CRX	[mm]				
114	114	114÷116	100	180	66	137
168	168	168÷172	148	230	93	180
223	223	216÷225	210	295	110	241

MENSOLA / BRACKET		MCR				
Modello Model		A	B	C	D	E
MCR	MCRX	[mm]				
168	168	200	175	90	40	30
223	223	260	230	120	70	30

F	G	H	I	L
11	140	93	140	120
16	200	128	200	170



COLLARE / CLAMPS		CRE			
Modello Model		L	I	D	E
CRE	CREX	[mm]			
70	70	125	99	70	68
92	92	150	125	92	90
100	100	165	140	100	98
115	115	185	160	115	113
125	125	190	165	125	123
138	138	215	190	138	136

COLLARE / CLAMPS		CRO						
Modello Model		ØS	A	B	H	I	P min	P max
CRO		[mm]						
70		68÷73	156	50	9	17	100	136
92		92±101	156	50	9	17	100	136
114		109±117	156	50	9	17	100	136
125		117±126	156	50	9	17	100	136
168		158±169	156	50	9	17	100	136

