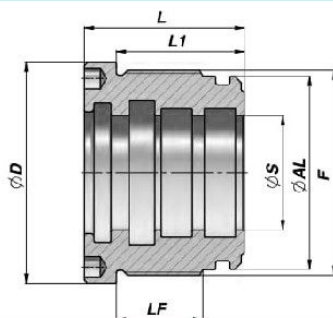


CGXX

TETE DE GUIDAGE INOX  
STAINLESS STEEL HEAD BUSH



Code Code	ØAL	ØS	ØD	F	LF	L	L1	kg	Pochette de joints Seal kits
CGXX050040020	40	20	49	M44x1.5	19	40	32	0,28	GKGCXX040020
CGXX050040025	40	25	49	M44x1.5	19	40	32	0,23	GKGCXX040025
CGXX060050025	50	25	59	M54x1.5	22	43	35	0,46	GKGCXX050025
CGXX060050030	50	30	59	M54x1.5	22	43	35	0,39	GKGCXX050030
CGXX070060030	60	30	69	M64x1.5	27	50	40	0,80	GKGCXX060030
CGXX070060035	60	35	69	M64x1.5	27	50	40	0,70	GKGCXX060035
CGXX070060040	60	40	69	M64x1.5	27	50	40	0,60	GKGCXX060040
CGXX080070035	70	35	79	M74x1.5	27	50	40	1,06	GKGCXX070035
CGXX080070040	70	40	79	M74x1.5	27	50	40	0,94	GKGCXX070040
CGXX095080040	80	40	94	M85x2	33	60	50	1,90	GKGCXX080040

MATERIEL : AISI 316 INOX

MATERIAL : AISI 316 STAINLESS STEEL

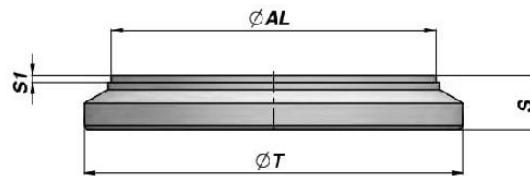
GKGCXX

KIT JOINTS POUR TETE DE GUIDAGE "CGXX"  
SEAL KITS FOR "CGXX" HEAD BUSH

Code Code	Alésage/Tige Bore/Rod	GAF	GHK	O-Ring Dowty	TTI-L TTI - TSE	O-Ring Dowty
						GDS
GKGCXX040020	40 / 20	TEF-SEAL 03-6325	078110	126	TTI 20-28/L	219
GKGCXX040025	40 / 25	n°2 25x30x5.6	098129	126	TTI 25-33/L	219
GKGCXX050025	50 / 25	n°2 25x30x5.6	098129	132	TTI 25-35/L	826
GKGCXX050030	50 / 30	n°2 30x35x5.6	118149	132	TTI 30-40/1L	826
GKGCXX060030	60 / 30	n°2 30x35x9.7	118149	138	TTI 30-40/1L	832
GKGCXX060035	60 / 35	n°2 35x40x9.7	137169	138	TTI 35-45/L	832
GKGCXX060040	60 / 40	n°2 40x45x9.7	157188	138	TTI 40-48/L	832
GKGCXX070035	70 / 35	n°2 35x40x9.7	137169	145	TTI 35-45/L	839
GKGCXX070040	70 / 40	n°2 40x45x5.6	157188	145	TTI 40-50/3L	839
GKGCXX080040	80 / 40	n°2 40x45x9.7	157188	149	TTI 40-50/3L	GDS 845

FOND INOX  
STAINLESS STEEL END PLUG

CFX



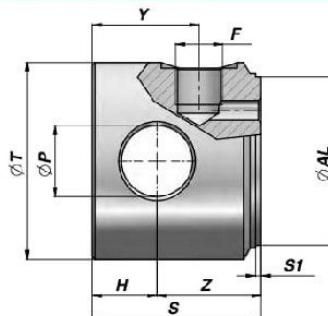
Code Code	ØAL	ØT	S	S1	kg
CFX00040050	40	50	10	2	0,13
CFX00050060	50	60	10	2	0,19
CFX00060070	60	70	12	2	0,33
CFX00070080	70	80	12	2	0,43
CFX00080095	80	95	12	2	0,60

MATERIEL : AISI 316 INOX

MATERIAL : AISI 316 STAINLESS STEEL

FOND PERCE INOX AVEC ENTREE HUILE  
STAINLESS STEEL END PLUG WITH CROSS HOLE AND INLET PORT

CFEX



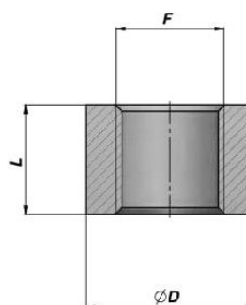
Code Code	ØAL	ØT	ØP	Z	H	F BSP	Y	S	S1	kg
CFEX040050416	40	50	16.20	35	15	1/4"	30	50	2	0,60
CFEX050060620	50	60	20.25	40	20	3/8"	38	60	2	1,10
CFEX060070625	60	70	25.25	37	23	3/8"	38	60	2	1,40
CFEX070080625	70	80	25.25	37	23	3/8"	38	60	2	1,95

MATERIEL : AISI 316 INOX

MATERIAL : AISI 316 STAINLESS STEEL

BOSSAGE TARAUDE INOX  
STAINLESS STEEL THREADED PORT

CBSX



Code Code	F BSP	L	ØD	kg x 100
CBSX040000	1/4"	15	20	3,00
CBSX060000	3/8"	17	26	4,00
CBSX080000	1/2"	20	32	4,00

MATERIEL : AISI 316 INOX

MATERIAL : AISI 316 STAINLESS STEEL