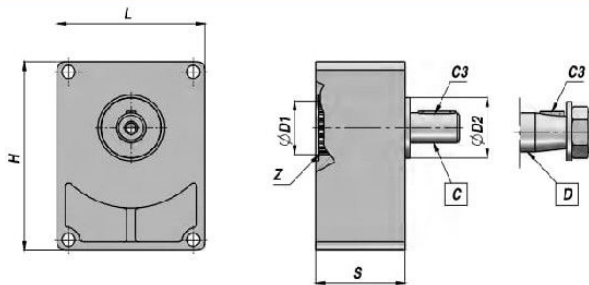
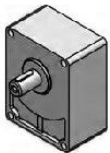


STSU

CONTRE PALIER
BELT PULLEY SUPPORT

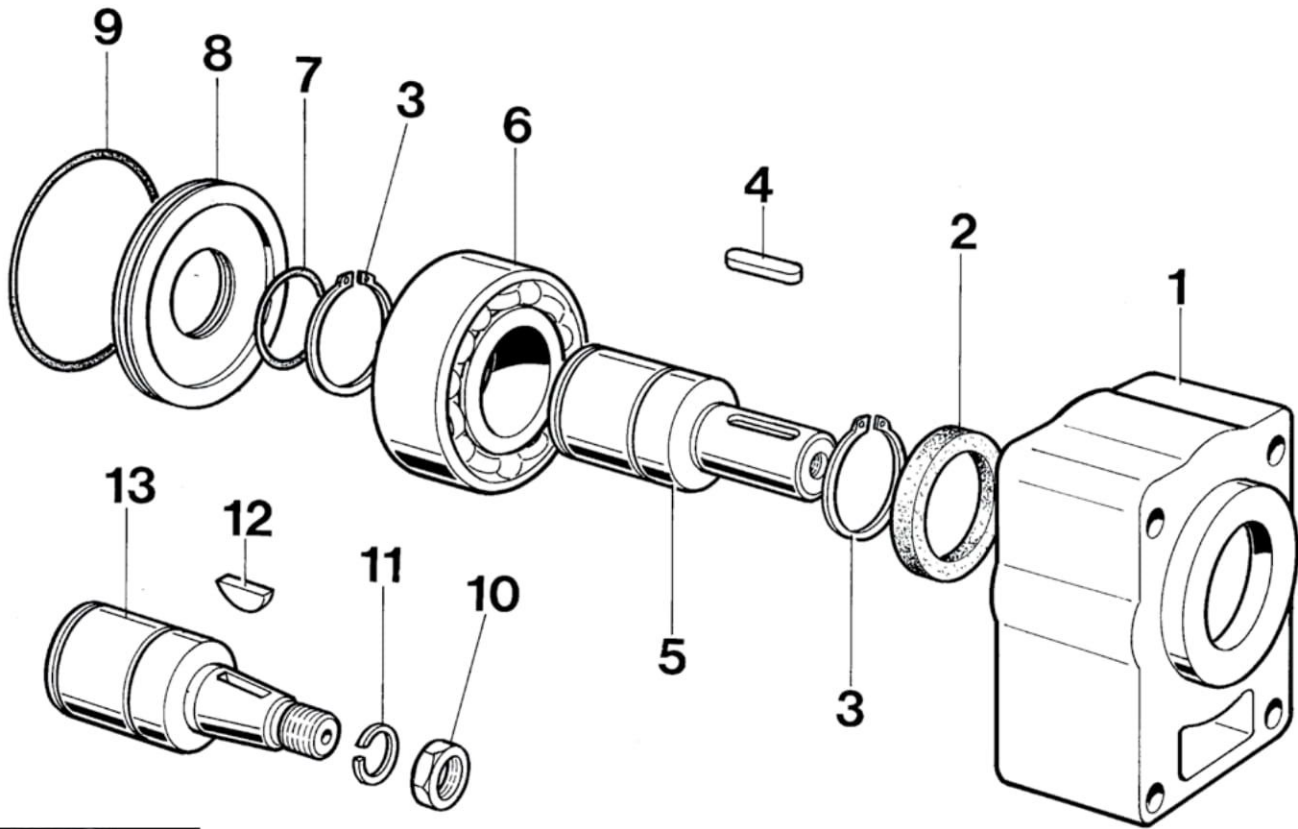


Code Code	Type Type	Pompe Pump	ØD1	Z DIN 5482	ØD2	Arbre Shaft	C3	L	H	S	kg
BU12010002	STSU/1 - C	GR.1	25.4	Z14 - 25x22	50.8	C = Ø18	6x6x25	75.0	93.0	40.0	0,80
BU12020001	STSU/2 - C	GR.2	36.5	Z14 - 25x22	36.5	C = Ø18	6x6x30	89.4	114.0	54.5	1,40
BU12020007	STSUR/2 - C	GR.2	36.5	Z15 - 28x25	50.8	C = Ø22	6x6x40	89.4	114.0	52.0	1,75
BU12030001	STSU/3 - C	GR.3	50.8	Z18 - 35x31	50.8	C = Ø24	8x7x40	123.5	153.2	52.0	2,20
BU12010001	STSU/1 - D	GR.1	25.4	Z14 - 25x22	50.8	D = Conique Tapered 1:8	4 x 6.5	75.0	93.0	40.0	0,80
BU12020004	STSU/2 - D	GR.2	36.5	Z14 - 25x22	36.5		4 x 6.5	89.4	114.0	54.5	1,40
BU12020008	STSUR/2 - D	GR.2	36.5	Z15 - 28x25	50.8		4 x 6.5	89.4	114.0	52.0	1,75
BU12030002	STSU/3 - D	GR.3	50.8	Z18 - 35x31	50.8		4 x 7.5	123.5	153.2	52.0	2,20

MATERIEL CORPS : ALUMINIUM
BODY MATERIAL : ALUMINIUM

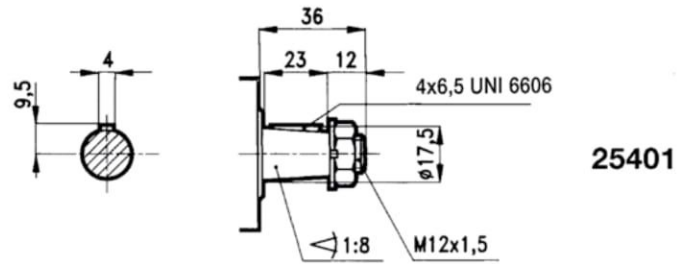
- SUPPORTO POMPE Gr. 1
- SUPPORT POUR POMPE Gr. 1
- PUMP SUPPORT - GROUP 1
- PUMPENHALTERUNG MIT KEGELWELLE GR 1

SERIE: 25401/25601

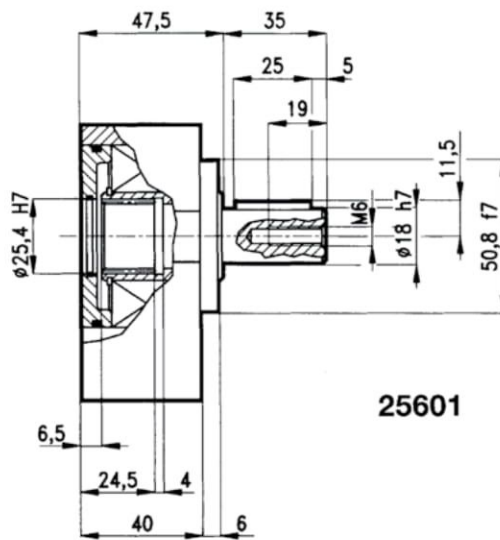
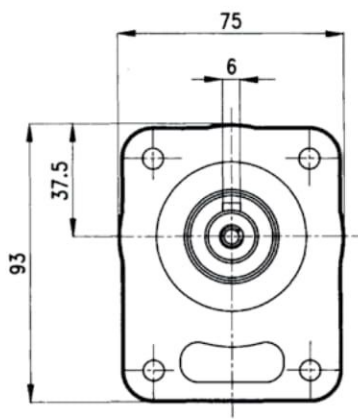


Pos.	CODICE	DENOMINAZIONE	DENOMINATION	DESCRIPTION	BEZEICHNUNG	Q.TA'
1	25001.1	Scatola	Carcasse	Housing	Gehäuse	1
2	303040	Anello di tenuta 30x40x7	Bague d'étanchéité 30x40x7	Sealing Ring 30x40x7	Dichtring 30x40x7	1
3	903000	Anello seeger UNI 7435 - 30	Circlip UNI 7435 - 30	Snap ring UNI 7435 - 30	Seegerring UNI 7435 - 30	2
4	426625	Chiavetta 6x6x25 UNI 6604	Clavette 6x6x25 UNI 6604	Key 6x6x25 UNI 6604	Keil 6x6x25 UNI 6604	1
5	AC18.1	Albero D=18	Arbre d=18	Female d=18	Antriebsw d=18	1
6	503206	Cuscinetto 3206A	Palier 3206A	Bearing 3206A	Kugellager 3206A	1
7	402100	Anello OR 2100	Bague torique 2100	O-Ring 2100	O-Ring 2100	1
8	COP062	Anello d=62	Bague d=62	Ring d=62	Ring d=62	1
9	403225	Anello OR 3225	Bague torique OR3225	O-Ring 3225	O-Ring 3225	1
10	601215	Dado UNI 28675 M12X1.5	Ecrous UNI 28675 M12x1.5	Nut UNI 28675 M12x1.5	Mutter UNI 28675 M12x1.5	1
11	801200	Rondella Grower d.12	Rondelle Grower d.12	Wascher Grower d.12	Rosette Grower d.12	1
12	700465	Chiavetta 4x6.5 UNI 6606	Clavette 4x6.5 UNI 6606	Key 4x6.5 UNI 6606	Keil 4x6.5 UNI 6606	1
13	ACO1	Albero conico	Arbre	Female	Antriebsw	1

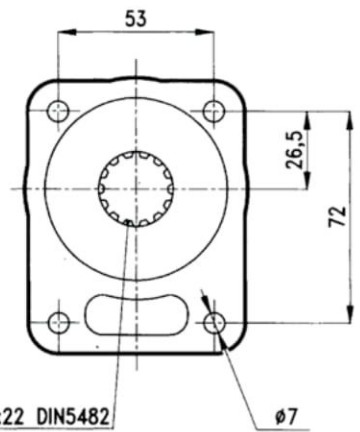
- SUPPORTO POMPE Gr. 1
- SUPPORT POUR POMPE Gr. 1
- PUMP SUPPORT - GROUP 1
- PUMPENHALTERUNG MIT KEGELWELLE GR 1



100 daN.
 ➔ 75 daN.

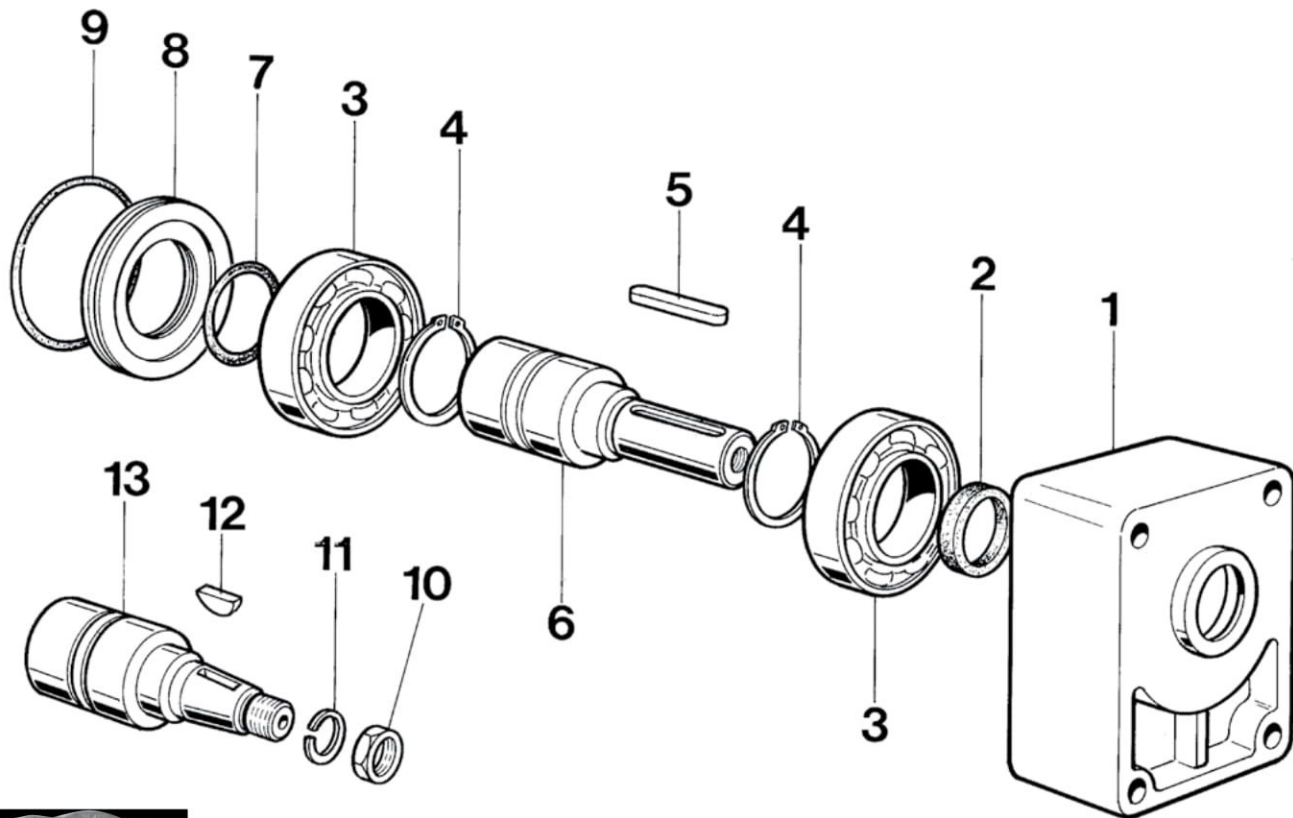


90 daN.



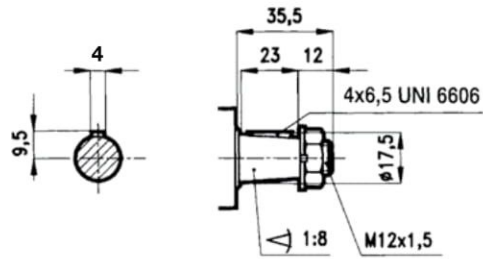
- SUPPORTO POMPE Gr. 2
- SUPPORT POUR POMPE Gr. 2
- PUMP SUPPORT - GROUP 2
- PUMPENHALTERUNG MIT KEGELWELLE GR 2

SERIE: 25402/25602



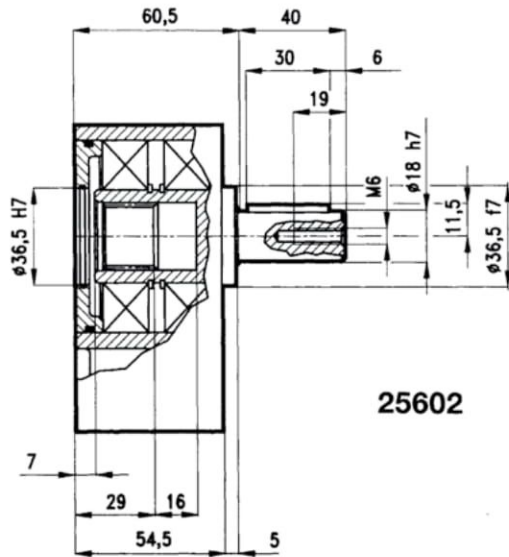
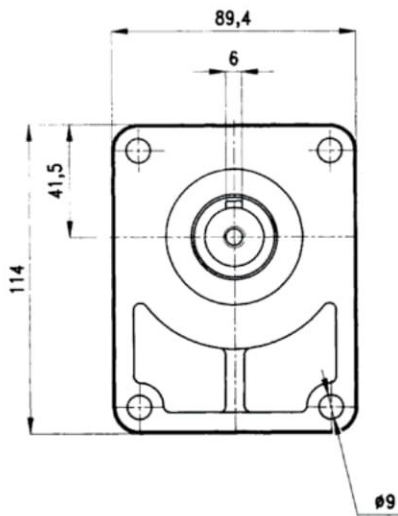
Pos.	CODICE	DENOMINAZIONE	DENOMINATION	DESCRIPTION	BEZEICHNUNG	Q.TA'
1	25002/364.1	Scatola	Carcasse	Housing	Gehäuse	1
2	302232	Anello di tenuta 22x32x7	Bague d'étanchéité 22x32x7	Sealing Ring 22x32x7	Dichtring 22x32x7	1
3	506207	Cuscinetto 6207A	Palier 6207A	Bearing 6207A	Kugellager 6207A	2
4	903500	Anello seeger UNI 7435 - 35	Circlip UNI 7435 - 35	Snap ring UNI 7435 - 35	Seegerring UNI 7435 - 35	2
5	426630	Chiavetta 6x6x30 UNI 6604	Clavette 6x6x30 UNI 6604	Key 6x6x30 UNI 6604	Keil 6x6x30 UNI 6604	1
6	AC18.2	Albero D=18	Arbre d=18	Female d=18	Antriebsw d=18	1
7	403143	Anello OR 3143	Bague torique 3143	O-Ring 3143	O-Ring 3143	1
8	25002/C.1	Anello d=72	Bague d=72	Ring d=72	Ring d=72	1
9	403262	Anello OR 3262	Bague torique OR 3262	O-Ring 3262	O-Ring 3262	1
10	601215	Dado UNI 28675 M12X1.5	Ecrous UNI 28675 M12x1.5	Nut UNI 28675 M12x1.5	Mutter UNI 28675 M12x1.5	1
11	801200	Rondella Grower d.12	Rondelle Grower d.12	Wascher Grower d.12	Rosette Grower d.12	1
12	700465	Chiavetta 3.2x6.5 UNI 6606	Clavette 3.2x6.5 UNI 6606	Key 3.2x6.5 UNI 6606	Keil 3.2x6.5 UNI 6606	1
13	ACO2	Albero conico	Arbre	Female	Antriebsw	1

- SUPPORTO POMPE Gr. 2
- SUPPORT POUR POMPE Gr. 2
- PUMP SUPPORT - GROUP 2
- PUMPENHALTERUNG MIT KEGELWELLE GR 2



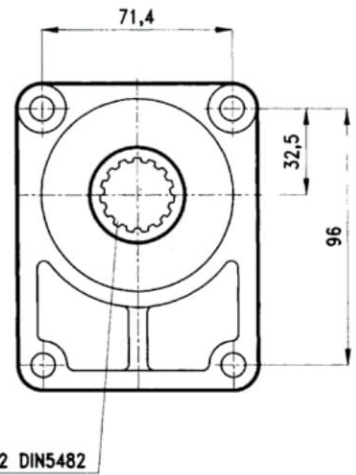
25402

170 daN.
 ↙ 130 daN.



25602

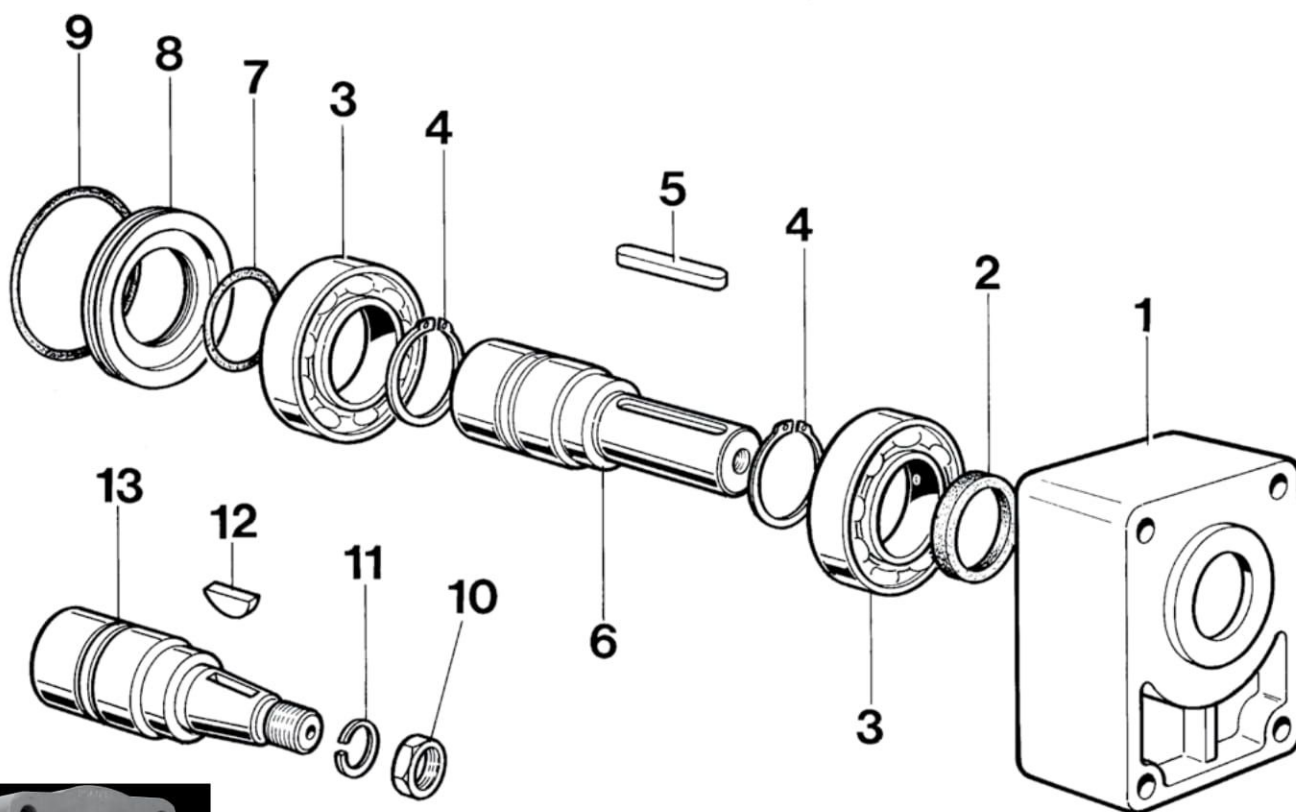
110 daN.



Z14 25x22 DIN5482

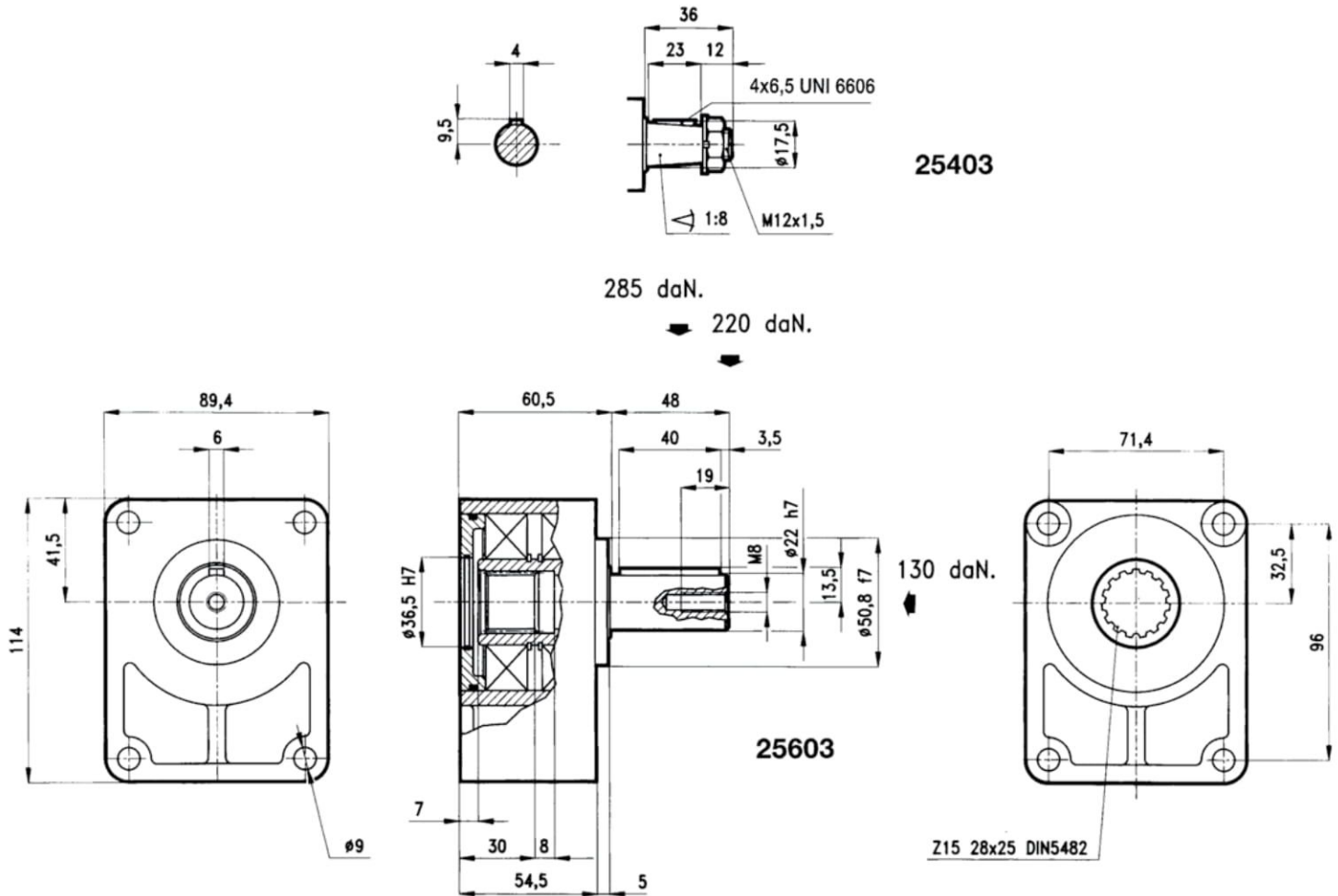
- SUPPORTO RINFORZATO POMPE Gr. 2
- SUPPORT RENFORCÉ POUR POMPE Gr. 2
- REINFORCED PUMP SUPPORT Gr. 2
- VERSTÄRKTE PUMPENHALTERUNG MIT KEGELWELLE Gr. 2

SERIE: 25403/25603



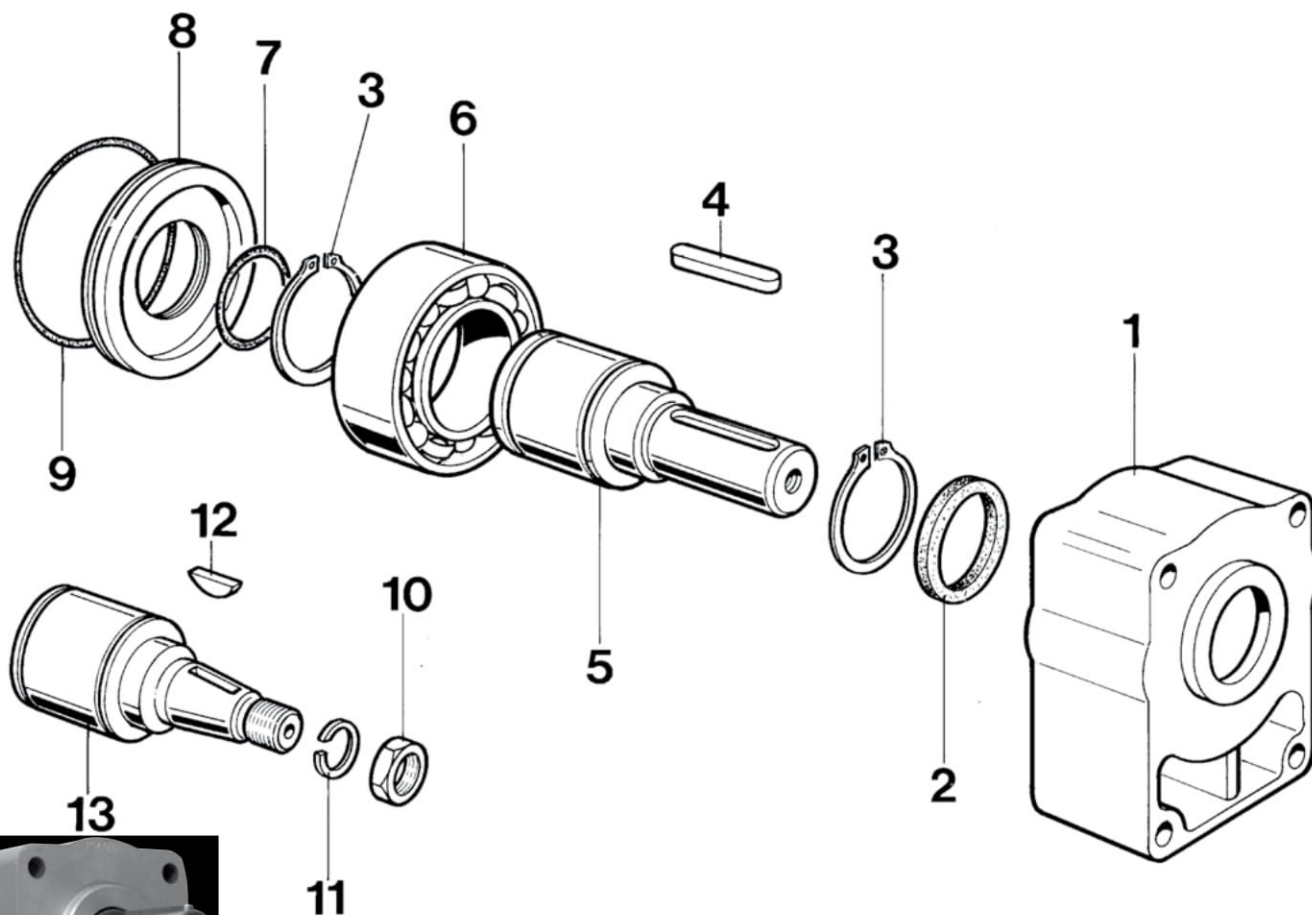
Pos.	CODICE	DENOMINAZIONE	DENOMINATION	DESCRIPTION	BEZEICHNUNG	Q.TA'
1	25003.1	Scatola	Carcasse	Housing	Gehäuse	1
2	303040	Anello di tenuta 30x40x7	Bague d'étanchéité 30x40x7	Sealing Ring 30x40x7	Dichtring 30x40x7	1
3	506207	Cuscinetto 6207A	Palier 6207A	Bearing 6207A	Kugellager 6207A	2
4	903500	Anello seeger UNI 7435 - 35	Circlip UNI 7435 - 35	Snap ring UNI 7435 - 35	Seegerring UNI 7435 - 35	2
5	426640	Chiavetta 6x6x40 UNI 6604	Clavette 6x6x40 UNI 6604	Key 6x6x40 UNI 6604	Keil 6x6x40 UNI 6604	1
6	AC22/R2	Albero D=22	Arbre d=22	Female d=22	Antriebsw d=22	1
7	403143	Anello OR 3143	Bague torique 3143	O-Ring 3143	O-Ring 3143	1
8	25002/C.1	Anello d=72	Bague d=72	Ring d=72	Ring d=72	1
9	403262	Anello OR 3262	Bague torique OR 3262	O-Ring 3262	O-Ring 3262	1
10	601215	Dado UNI 28675 M12X1.5	Ecrous UNI 28675 M12x1.5	Nut UNI 28675 M12x1.5	Mutter UNI 28675 M12x1.5	1
11	801200	Rondella Grower d.12	Rondelle Grower d.12	Wascher Grower d.12	Rosette Grower d.12	1
12	700465	Chiavetta 3.2x6.5 UNI 6606	Clavette 3.2x6.5 UNI 6606	Key 3.2x6.5 UNI 6606	Keil 3.2x6.5 UNI 6606	1
13	ACO2/R2	Albero conico	Arbre	Female	Antriebsw	1

- **SUPPORTO RINFORZATO POMPE Gr. 2**
- **SUPPORT RENFORCÉ POUR POMPE Gr. 2**
- **REINFORCED PUMP SUPPORT Gr. 2**
- **VERSTÄRKT PUMPENHALTERUNG MIT KEGELWELLE Gr. 2**



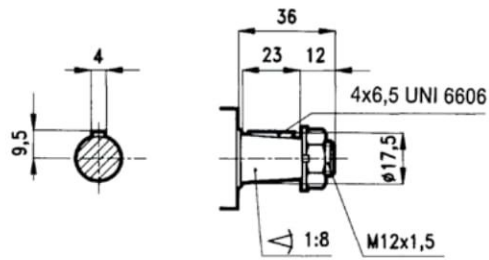
- SUPPORTO RINFORZATO POMPE Gr. 2
- SUPPORT RENFORCÉ POUR POMPE Gr. 2
- REINFORCED PUMP SUPPORT Gr. 2
- VERSTÄRKTE PUMPENHALTERUNG MIT KEGELWELLE Gr. 2

SERIE: 25403.1/25603.1



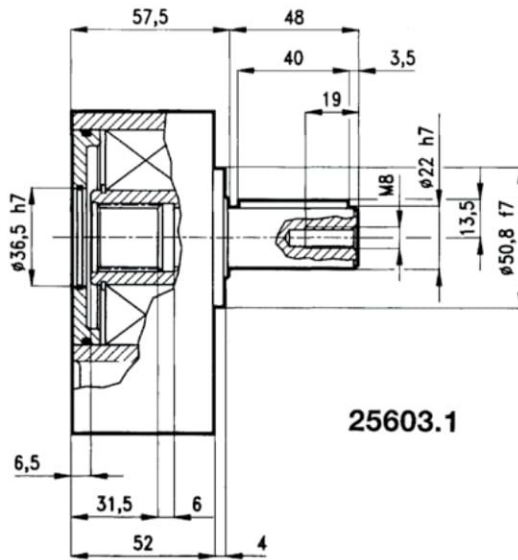
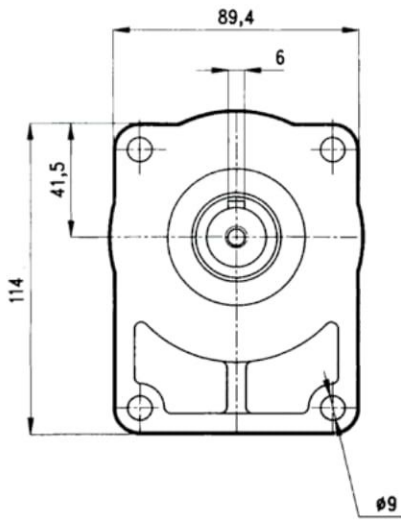
Pos.	CODICE	DENOMINAZIONE	DENOMINATION	DESCRIPTION	BEZEICHNUNG	Q.TA'
1	25003/508.1	Scatola	Carcasse	Housing	Gehäuse	1
2	303040	Anello di tenuta 30x40x7	Bague d'étanchéité 30x40x7	Sealing Ring 30x40x7	Dichtring 30x40x7	1
3	904000	Anello seeger UNI 7435 - 40	Circlip UNI 7435 - 40	Snap ring UNI 7435 - 40	Seegerring UNI 7435 - 40	2
4	426640	Chiavetta 6x6x40 UNI 6604	Clavette 6x6x40 UNI 6604	Key 6x6x40 UNI 6604	Keil 6x6x40 UNI 6604	1
5	AC22/R	Albero D=22	Arbre d=22	Female d=22	Antriedsw d=22	1
6	503208	Cuscinetto 3208A	Palier 3208A	Bearing 3208A	Kugellager 3208A	1
7	403143	Anello OR 3143	Bague torique 3143	O-Ring 3143	O-Ring 3143	1
8	25003/C.1	Anello d=80	Bague d=80	Ring d=80	Ring d=80	1
9	401740	Anello OR 174	Bague torique OR174	O-Ring 174	O-Ring 174	1
10	601215	Dado UNI 28675 M12X1.5	Ecrous UNI 28675 M12x1.5	Nut UNI 28675 M12x1.5	Mutter UNI 28675 M12x1.5	1
11	801200	Rondella Grower d.12	Rondelle Grower d.12	Wascher Grower d.12	Rosette Grower d.12	1
12	700365	Chiavetta 3.2x6.5 UNI 6606	Clavette 3.2x6.5 UNI 6606	Key 3.2x6.5 UNI 6606	Keil 3.2x6.5 UNI 6606	1
13	ACO2/R	Albero conico	Arbre	Female	Antriedsw	1

- **SUPPORTO RINFORZATO POMPE Gr. 2**
- **SUPPORT RENFORCÉ POUR POMPE Gr. 2**
- **REINFORCED PUMP SUPPORT Gr. 2**
- **VERSTÄRKTE PUMPENHALTERUNG MIT KEGELWELLE Gr. 2**



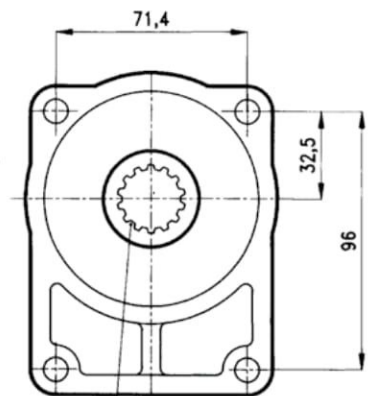
25403.1

285 daN. 220 daN.



25603.1

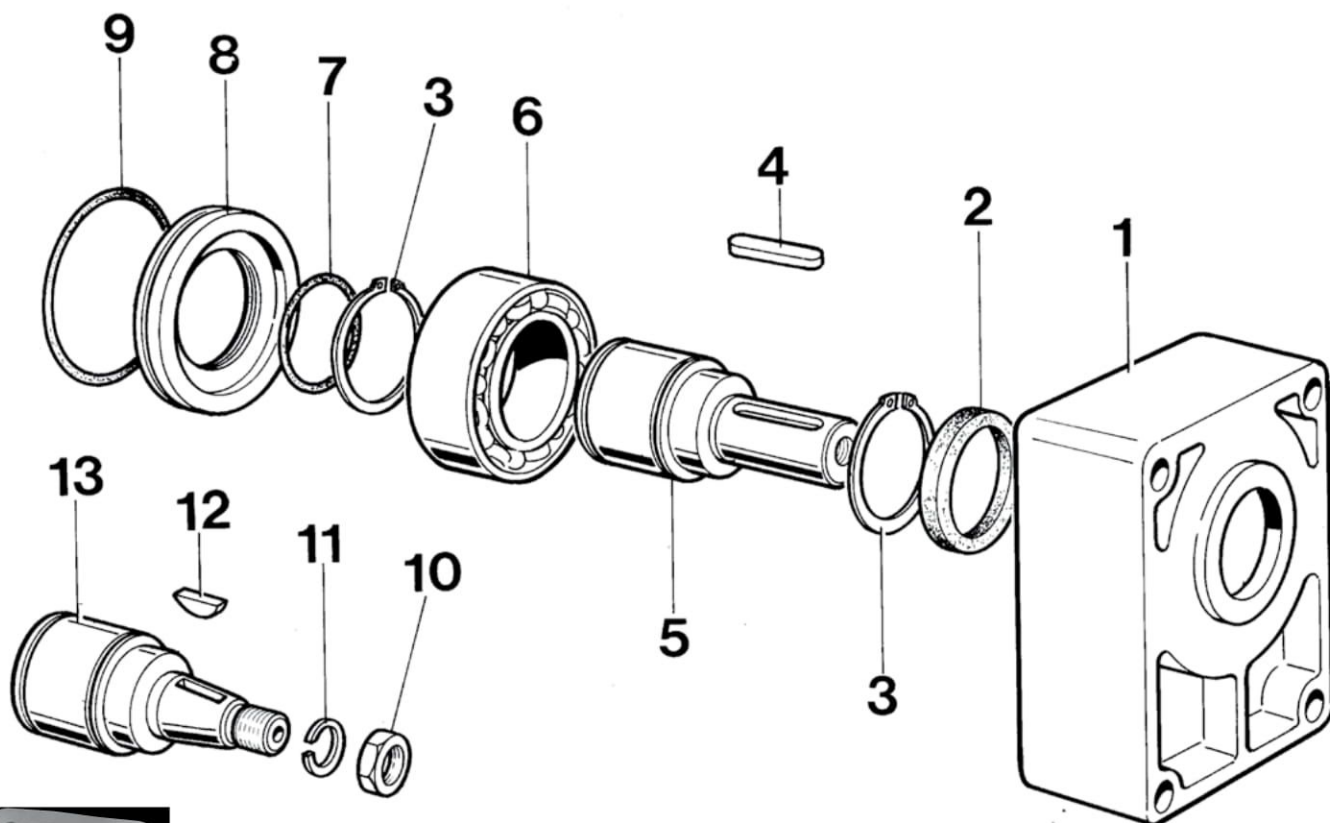
130 daN.



Z15 28x25 DIN5482

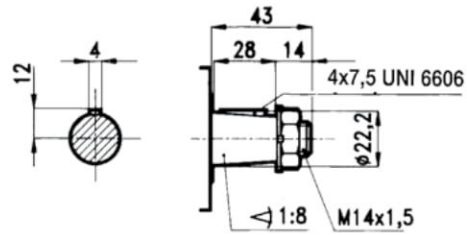
- SUPPORTO RINFORZATO POMPE Gr. 3
- SUPPORT RENFORCÉ POUR POMPE Gr. 3
- REINFORCED PUMP SUPPORT Gr. 3
- VERSTÄRKTE PUMPENHALTERUNG MIT KEGELWELLE Gr. 3

SERIE: 25404-4/25604-4



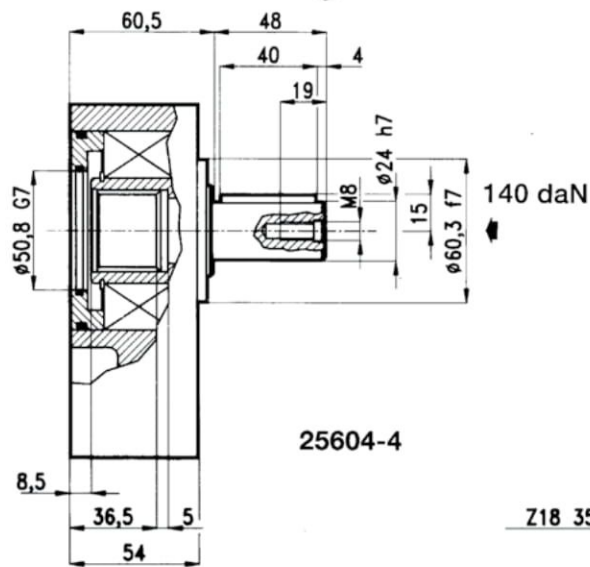
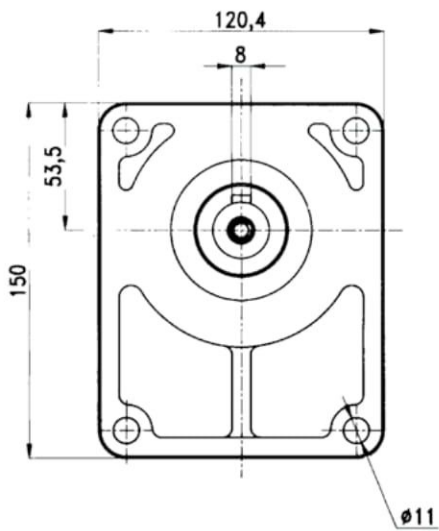
Pos.	CODICE	DENOMINAZIONE	DENOMINATION	DESCRIPTION	BEZEICHNUNG	Q.TA'
1	25004/4.1	Scatola	Carcasse	Housing	Gehäuse	1
2	303852	Anello di tenuta 38x52x7	Bague d'étanchéité 38x52x7	Sealing Ring 38x52x7	Dichtring 38x52x7	1
3	904500	Anello seeger UNI 7435 - 45	Circlip UNI 7435 - 45	Snap ring UNI 7435 - 45	Seegerring UNI 7435 - 45	2
4	428740	Chiavetta 8x7x40 UNI 6604	Clavette 8x7x40 UNI 6604	Key 8x7x40 UNI 6604	Keil 8x7x40 UNI 6604	1
5	AC24/4	Albero D=24	Arbre d=24	Female d=24	Antriebsw d=24	1
6	503209	Cuscinetto 3209A	Palier 3209A	Bearing 3209A	Kugellager 3209A	1
7	403200	Anello OR 3200	Bague torique 3200	O-Ring 3200	O-Ring 3200	1
8	COP085	Anello d=85	Bague d=85	Ring d=85	Ring d=85	1
9	404300	Anello OR 4300	Bague torique OR4300	O-Ring 4300	O-Ring 4300	1
10	601415	Dado UNI 28675 M14X1.5	Ecrous UNI 28675 M14x1.5	Nut UNI 28675 M14x1.5	Mutter UNI 28675 M14x1.5	1
11	801400	Rondella Grower d.14	Rondelle Grower d.14	Wascher Grower d.14	Rosette Grower d.14	1
12	700475	Chiavetta 4x7.5 UNI 6606	Clavette 4x7.5 UNI 6606	Key 4x7.5 UNI 6606	Keil 4x7.5 UNI 6606	1
13	ACO3/4F	Albero conico	Arbre	Female	Antriebsw	1

- **SUPPORTO RINFORZATO POMPE Gr. 3**
- **SUPPORT RENFORCÉ POUR POMPE Gr. 3**
- **REINFORCED PUMP SUPPORT Gr. 3**
- **VERSTÄRKTE PUMPENHALTERUNG MIT KEGELWELLE Gr. 3**



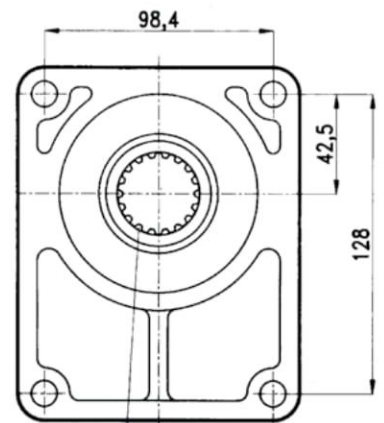
25404-4

315 daN.
 ↘ 240 daN.



25604-4

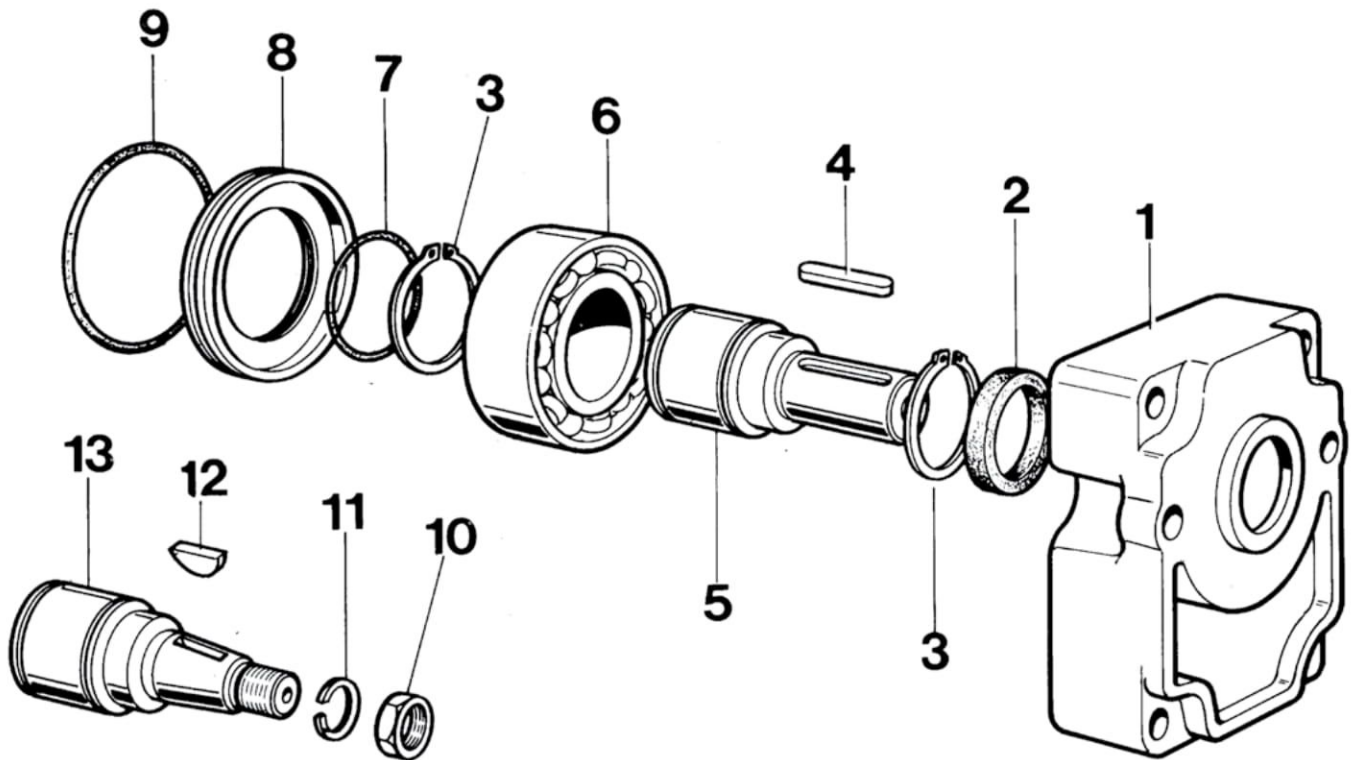
140 daN



Z18 35x31 DIN5482

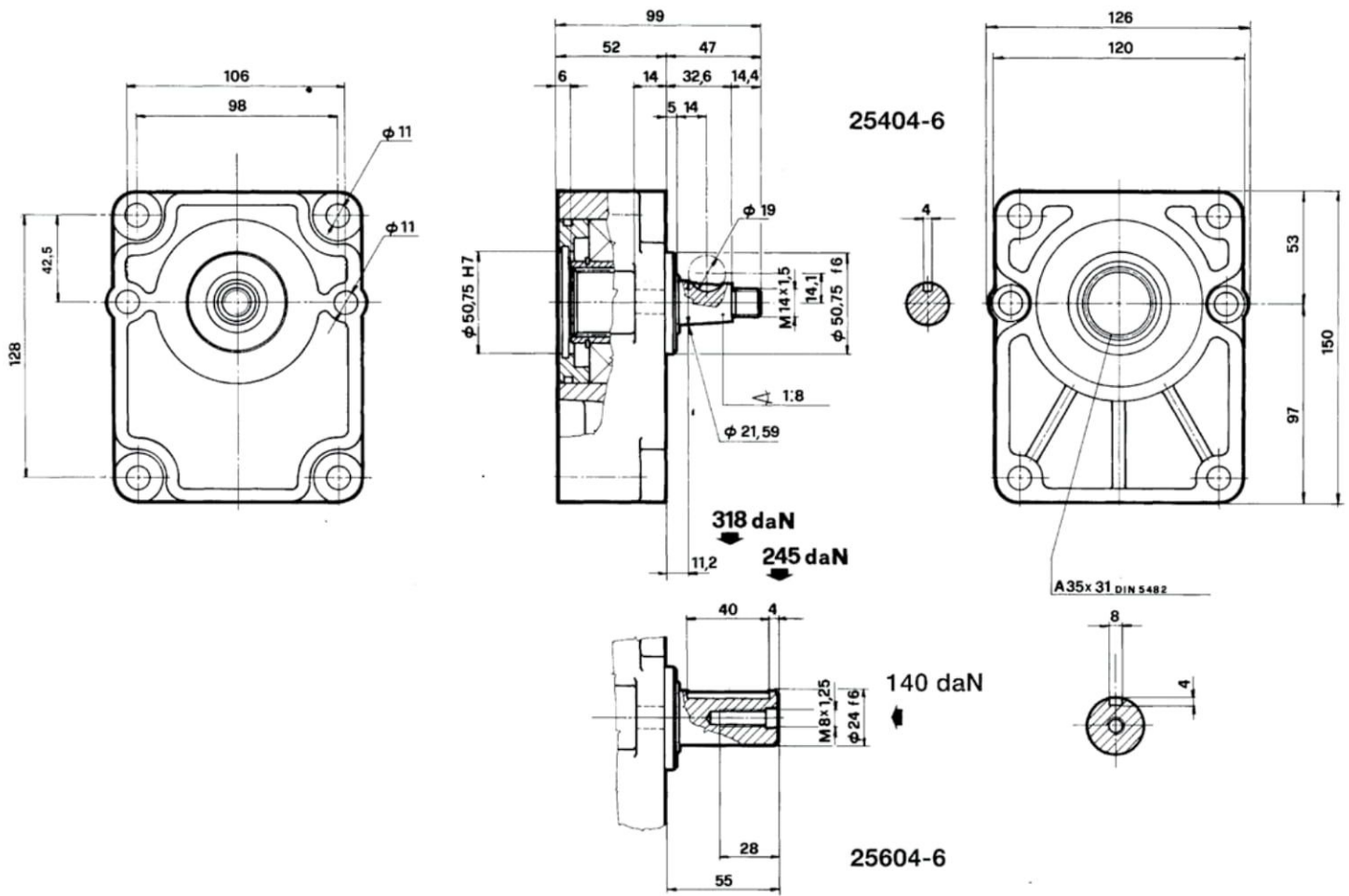
- SUPPORTO POMPE Gr. 3
- SUPPORT POUR POMPE Gr. 3
- PUMP SUPPORT - GROUP 3
- PUMPENHALTERUNG MIT KEGELWELLE GR 3

SERIE: 25404-6/25604-6



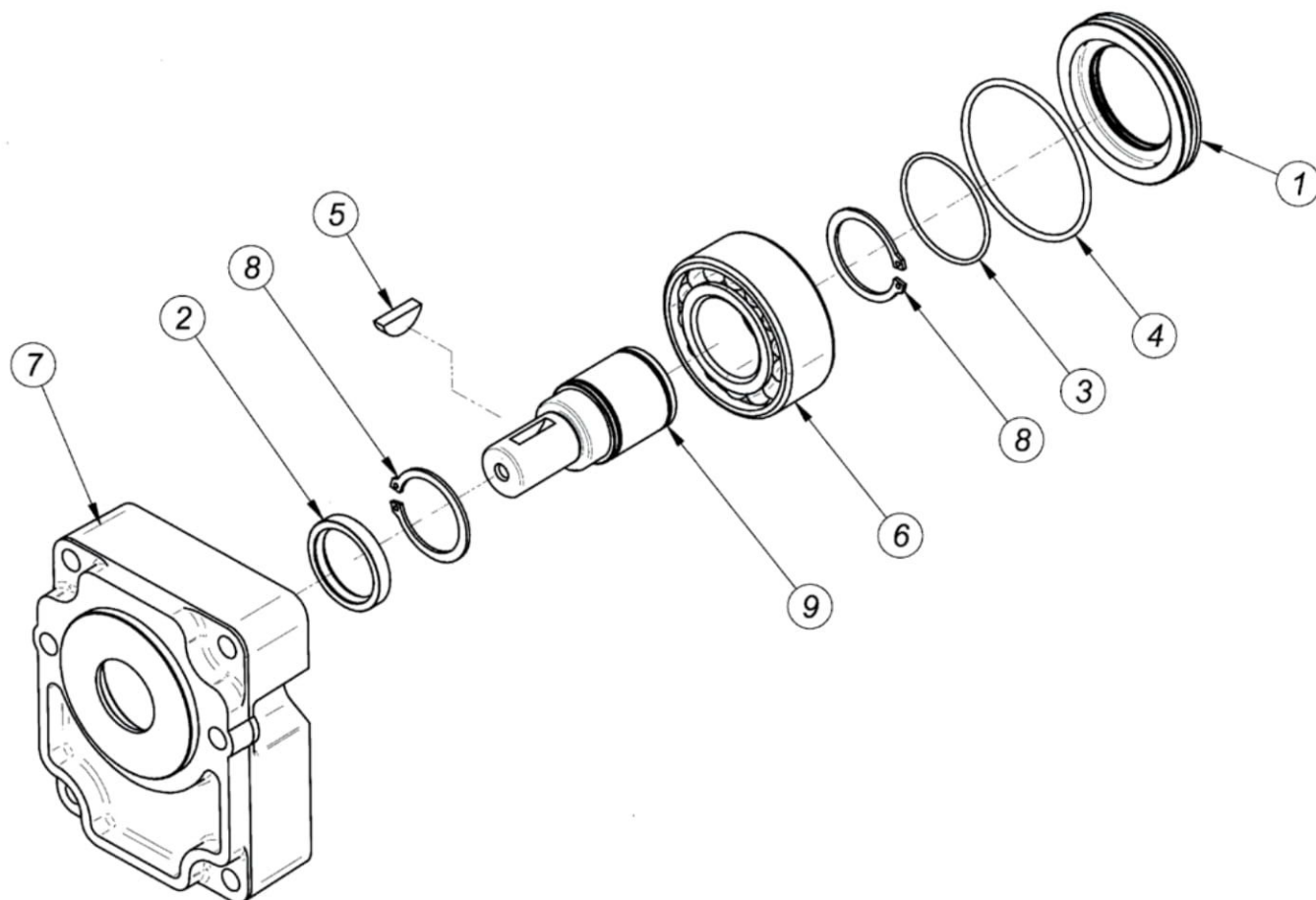
Pos.	CODICE	DENOMINAZIONE	DENOMINATION	DESCRIPTION	BEZEICHNUNG	Q.TA'
1	25004/6.1	Scatola	Carcasse	Housing	Gehäuse	1
2	303545	Anello di tenuta 35x45x7	Bague d'étanchéité 35x45x7	Sealing Ring 35x45x7	Dichtring 35x45x7	1
3	904000	Anello seeger UNI 7435 - 40	Circlip UNI 7435 - 40	Snap ring UNI 7435 - 40	Seegerring UNI 7435 - 40	2
4	428740	Chiavetta 8x7x40 UNI 6604	Clavette 8x7x40 UNI 6604	Key 8x7x40 UNI 6604	Keil 8x7x40 UNI 6604	1
5	AC24	Albero D=24	Arbre d=24	Female d=24	Antriebsw d=24	1
6	503208	Cuscinetto 3208A	Palier 3208A	Bearing 3208A	Kugellager 3208A	1
7	403200	Anello OR 3200	Bague torique 3200	O-Ring 3200	O-Ring 3200	1
8	25003/C.1	Anello d=80	Bague d=80	Ring d=80	Ring d=80	1
9	401740	Anello OR 174	Bague torique OR174	O-Ring 174	O-Ring 174	1
10	601415	Dado UNI 28675 M14X1.5	Ecrous UNI 28675 M14x1.5	Nut UNI 28675 M14x1.5	Mutter UNI 28675 M14x1.5	1
11	801400	Rondella Grower d.14	Rondelle Grower d.14	Wascher Grower d.14	Rosette Grower d.14	1
12	700475	Chiavetta 4x7.5 UNI 6606	Clavette 4x7.5 UNI 6606	Key 4x7.5 UNI 6606	Keil 4x7.5 UNI 6606	1
13	ACO3/6F	Albero conico	Arbre	Female	Antriebsw	1

- SUPPORTO POMPE Gr. 3
- SUPPORT POUR POMPE Gr. 3
- PUMP SUPPORT - GROUP 3
- PUMPENHALTERUNG MIT KEGELWELLE GR 3



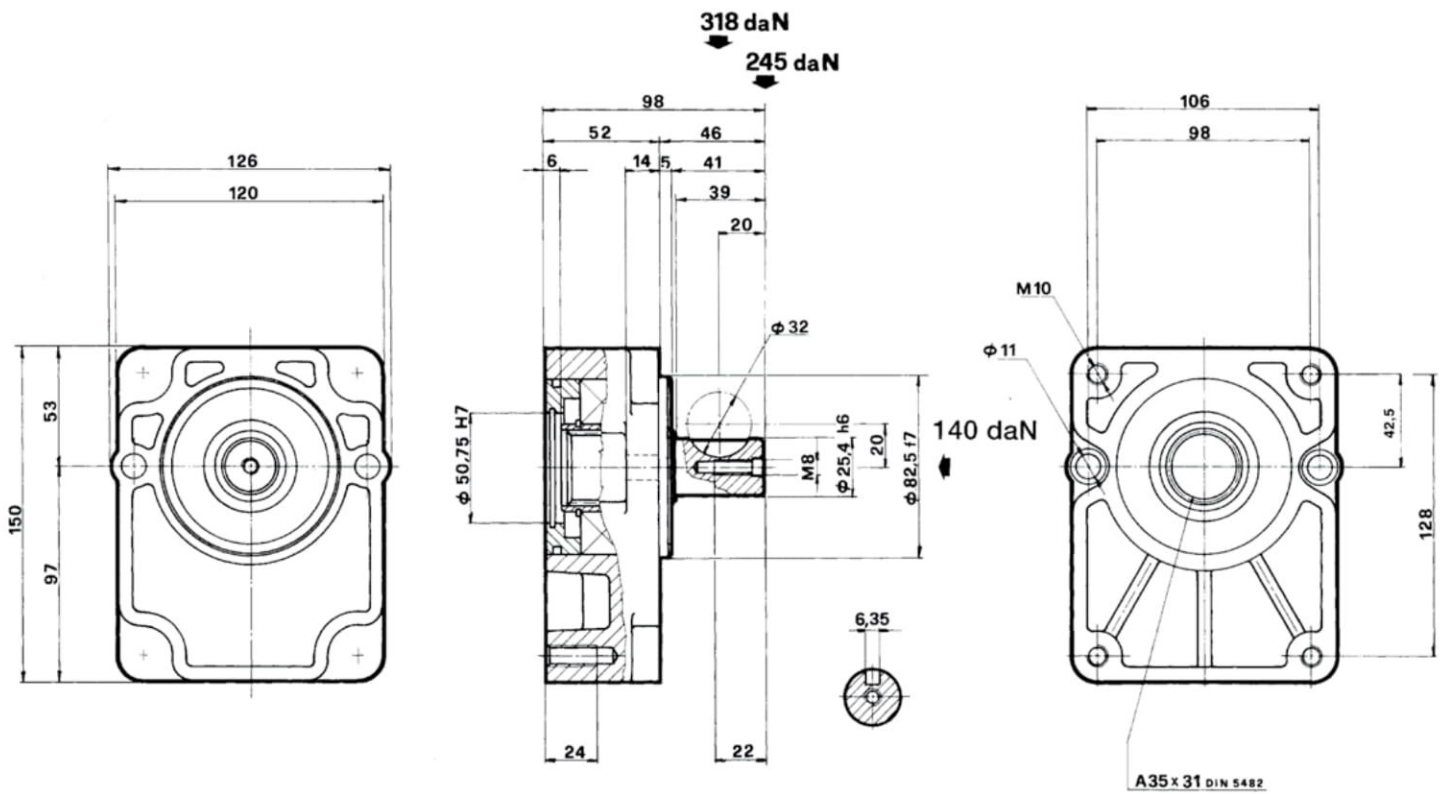
- SUPPORTO POMPE Gr. 3 / SAE A
- SUPPORT POUR POMPE Gr. 3 / SAE A
- PUMP SUPPORT - GROUP 3 / SAE A
- PUMPENHALTERUNG MIT KEGELWELLE GR 3 / SAE A

SERIE: 25607



Pos.	CODICE	DENOMINAZIONE	DENOMINATION	DESCRIPTION	BEZEICHNUNG	Q.TA'
1	25003/C.1	Anello	Bague	Ring	Ring	1
2	303545	Anello di tenuta 35x45x7	Bague d'etancheite 35x45x7	Sealing ring 35x45x7	Dichtring 35x45x7	1
3	403200	Anello OR	Bague torique	O-Ring	O-Ring	1
4	401740	Anello OR	Bague toriquir	O-Ring	O-Ring	1
5	700610	Chiavetta 6x10 UNI 6606	Clavette 6x10 UNI 6606	Key 6x10 UNI 6606	Keil 6x10 UNI 6606	1
6	503208	Cuscinetto 3208A	Palier 3208A	Bearing 3208A	Kugellager 3208A	1
7	25007.1	Scatola	Carcasse	Housing	Gehause	1
8	904000	Anello seeger UNI 7435 - 40	Circlip UNI 7435 - 40	Snap ring UNI 7435 - 40	Seegerring UNI 7435 - 40	2
9	AC 25.4	Albero d.40	Arbre d.40	Female d.40	Antriebsw d.40	1

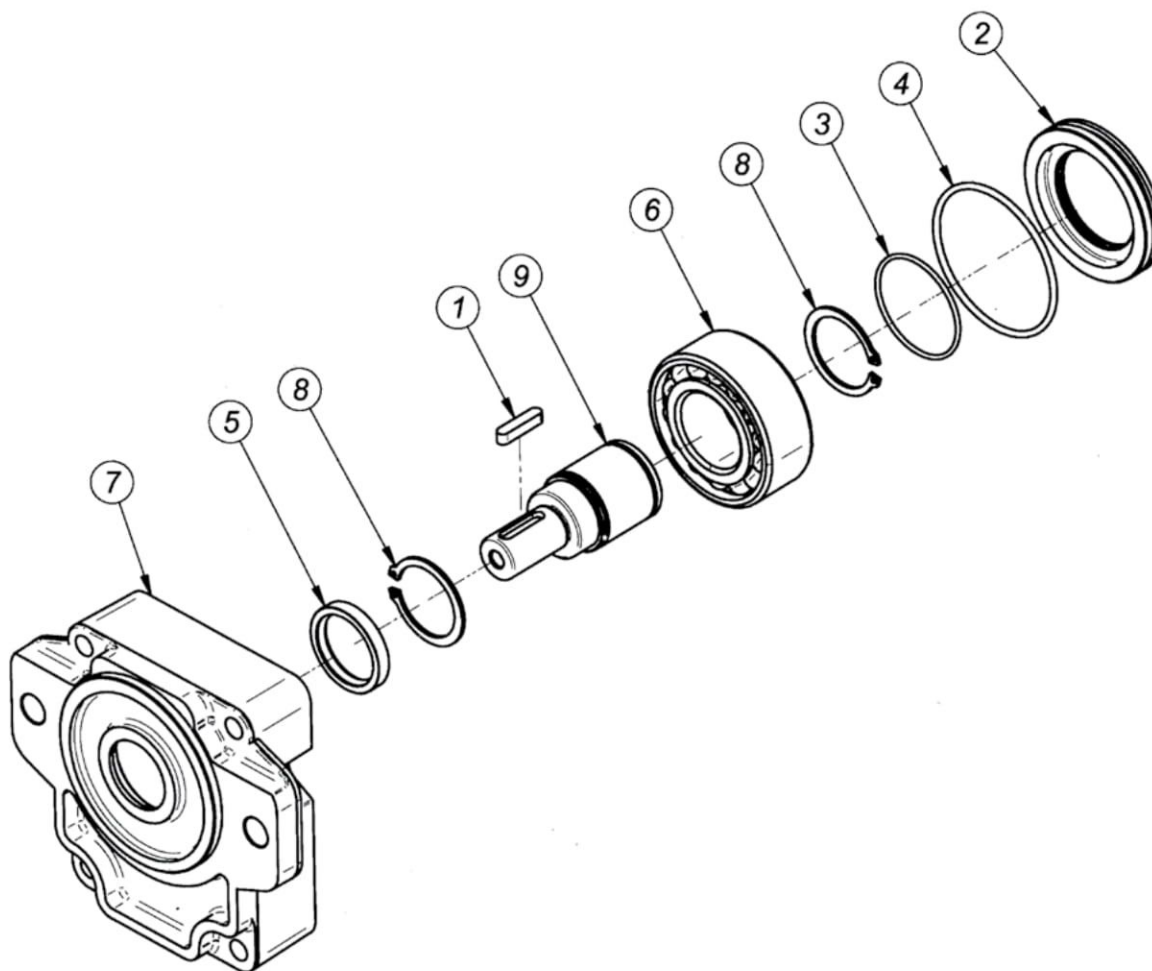
- SUPPORTO POMPE Gr. 3 / SAE A
- SUPPORT POUR POMPE Gr. 3 / SAE A
- PUMP SUPPORT - GROUP 3 / SAE A
- PUMPENHALTERUNG MIT KEGELWELLE GR 3 / SAE A



25607

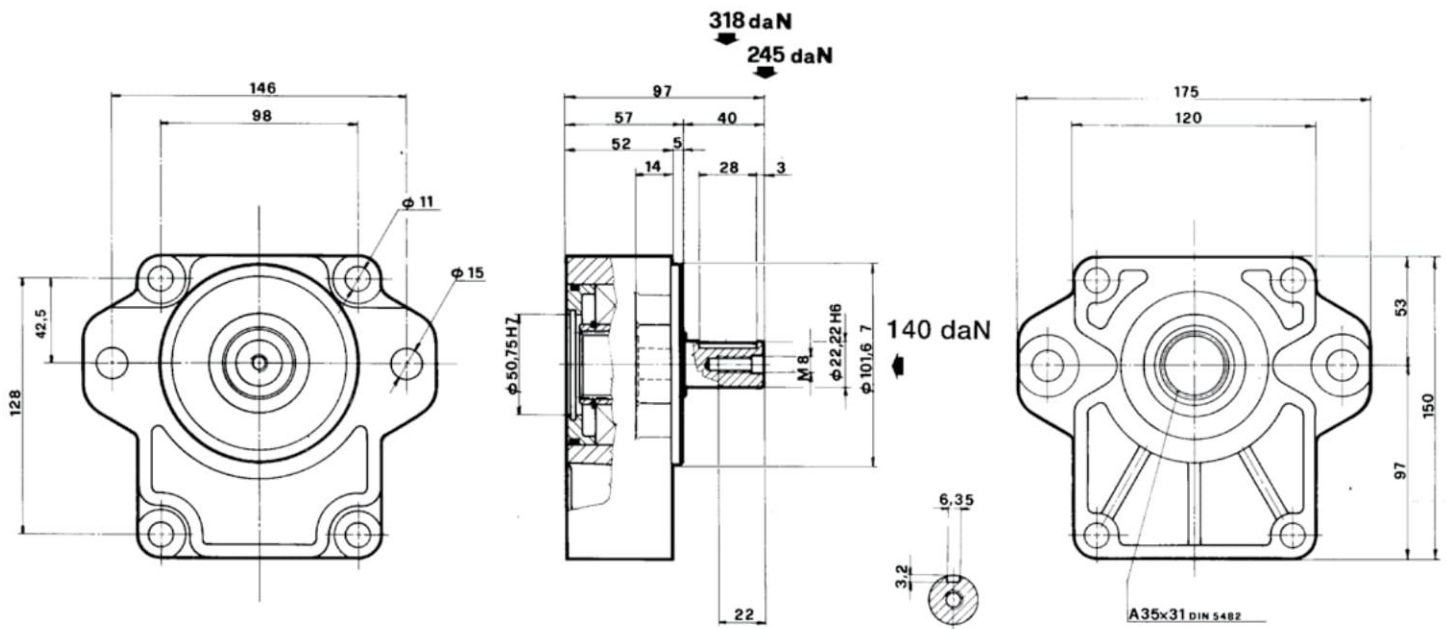
- SUPPORTO CON FLANGIA SAE B 2 FORI PER POMPE Gr. 3
- SUPPORT AVEC BRIDE SAE B 2 TROUS POUR POMPES Gr. 3
- SUPPORT WITH FLANGE SAE B, 2-HOLE, FOR PUMPS GROUP 3
 - PUMPENHALTERUNG MIT FLANSCH SAE B, 2 BOHRUNGEN FÜR PUMPEN GR 3

SERIE: 25608



Pos.	CODICE	DENOMINAZIONE	DENOMINATION	DESCRIPTION	BEZEICHNUNG	Q.TA'
1	426628	Chiavetta 6x6x28 UNI 6604	Clavette 6x6x28 UNI 6604	Key 6x6x28 UNI 6604	Keil 6x6x28 UNI 6604	1
2	25003/C.1	Anello	Bague	Ring	Ring	1
3	403200	Anello OR	Bague torique	O-Ring	O-Ring	1
4	401740	Anello OR	Bague toriquir	O-Ring	O-Ring	1
5	303545	Anello di tenuta 35x45x7	Bague d'etancheite 35x45x7	Sealing ring 35x45x7	Dichtring 35x45x7	1
6	503208	Cuscinetto 3208A	Palier 3208A	Bearing 3208A	Kugellager 3208A	1
7	25008.1	Scatola	Carcasse	Housing	Gehause	1
8	904000	Anello seeger UNI 7435 - 40	Circlip UNI 7435 - 40	Snap ring UNI 7435 - 40	Seegerring UNI 7435 - 40	2
9	AC 22.2	Albero d.22.2	Arbre d.22.2	Female d.22.2	Antriebsw d.22.2	1

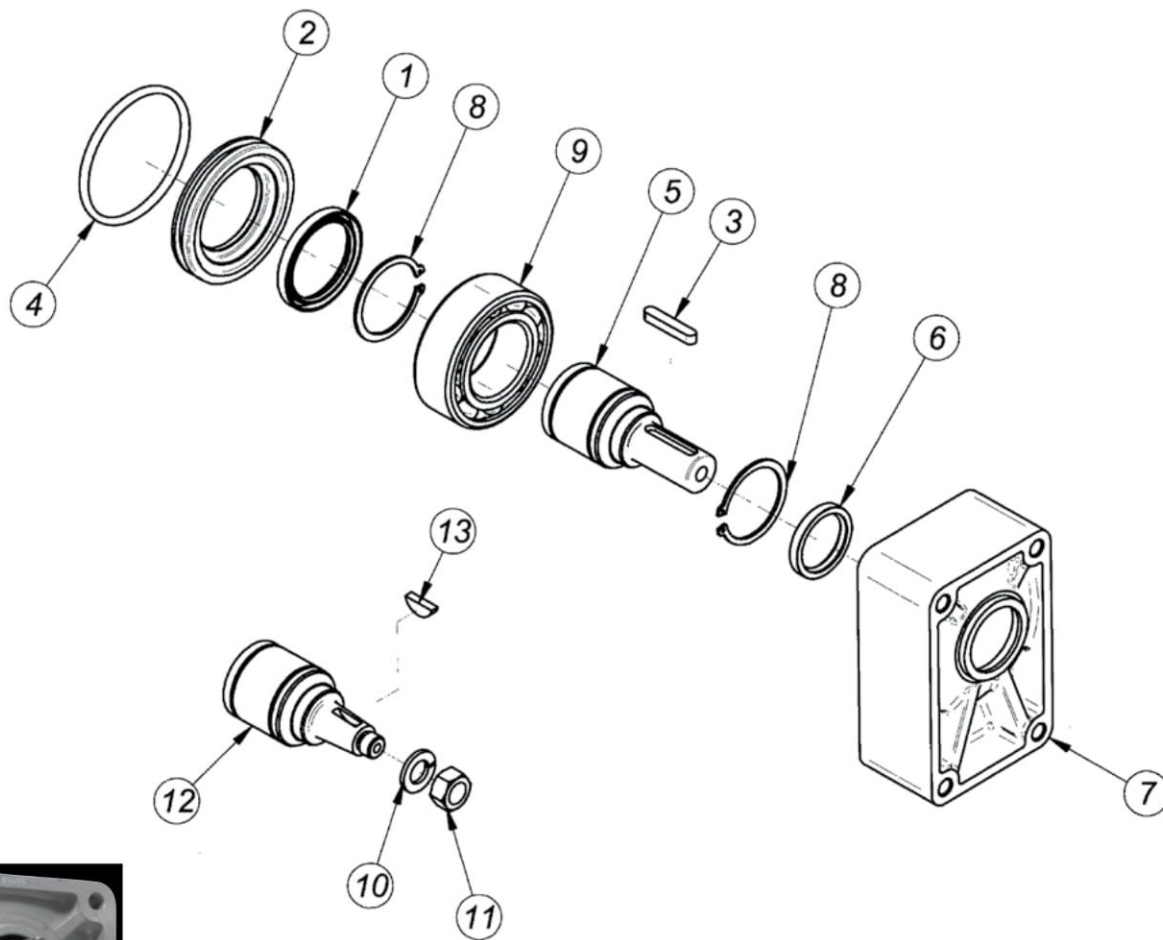
- SUPPORTO CON FLANGIA SAE B 2 FORI PER POMPE Gr. 3
- SUPPORT AVEC BRIDE SAE B 2 TROUS POUR POMPES Gr. 3
- SUPPORT WITH FLANGE SAE B, 2-HOLE, FOR PUMPS GROUP 3
 - PUMPENHALTERUNG MIT FLANSCH SAE B, 2 BOHRUNGEN FÜR PUMPEN GR 3



25608

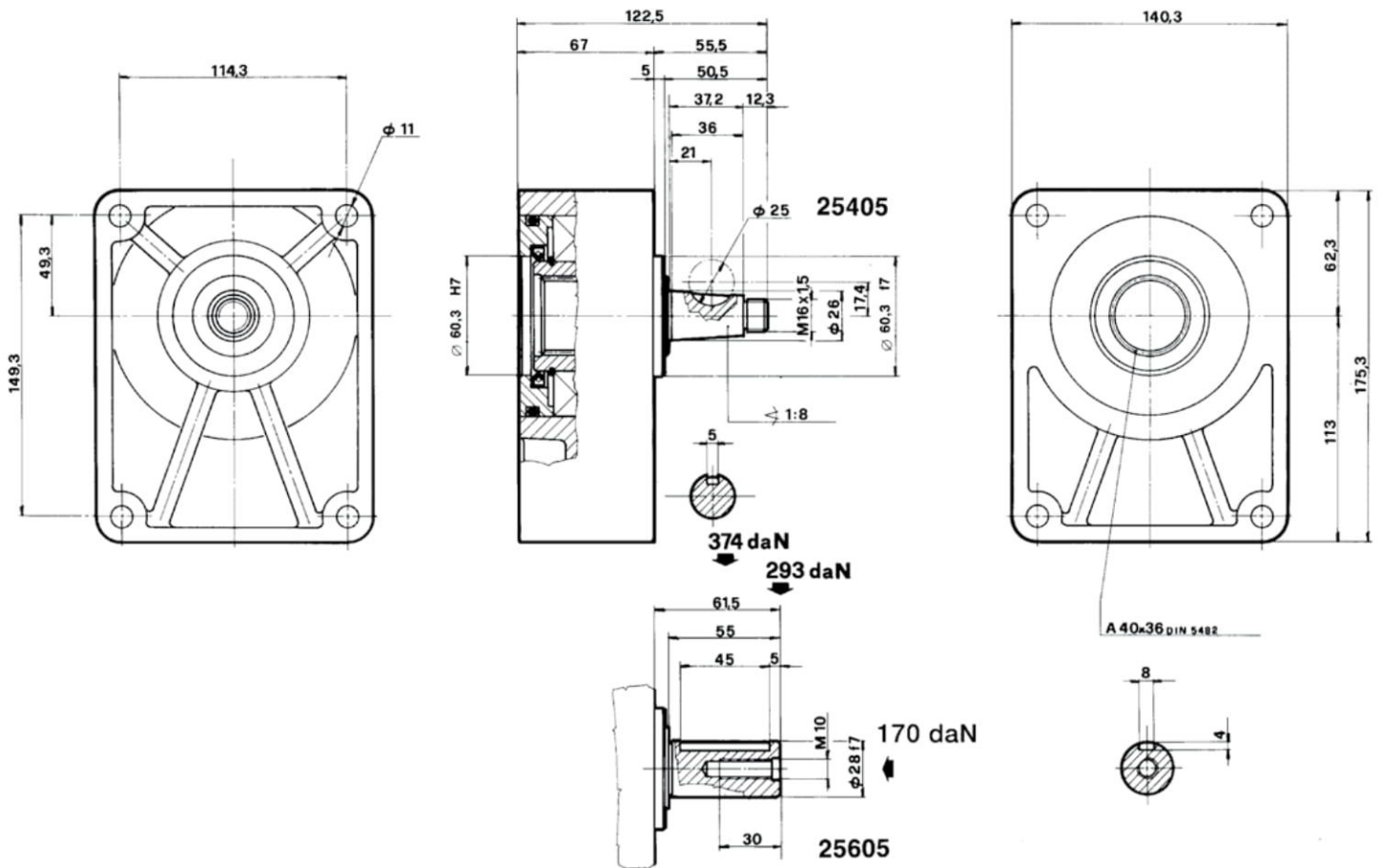
- SUPPORTO POMPE Gr. 3,5
- SUPPORT POUR POMPE Gr. 3,5
- PUMP SUPPORT - GROUP 3,5
- PUMPENHALTERUNG MIT KEGELWELLE GR 3,5

SERIE: 25405/25605



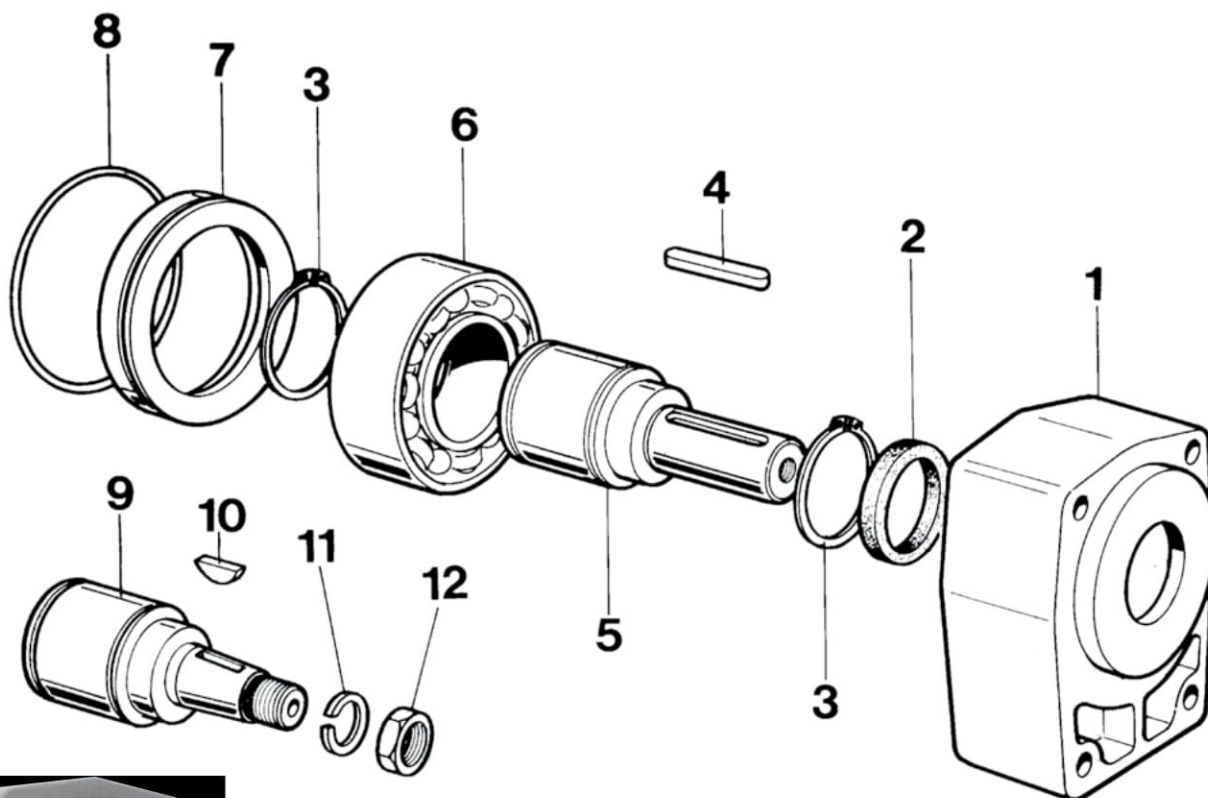
Pos.	CODICE	DENOMINAZIONE	DENOMINATION	DESCRIPTION	BEZEICHNUNG	Q.TA'
1	305572	Anello di tenuta 55x72x8	Bague d'étanchéité 55x72x8	Sealing ring 55x72x8	Dichtring 55x72x8	1
2	COP100	Anello D=100	Bague D=100	Ring D=100	Ring D=100	1
3	428745	Chiavetta 8x7x45 UNI 6604	Clavette 8x7x45 UNI 6604	Key 8x7x45 UNI 6604	Keil 8x7x45 UNI 6604	1
4	401850	Anello OR 185	Bague torique OR 185	O-Ring 185	O-Ring 185	1
5	AC28	Albero conico	Arbre	Female	Antriebsw	1
6	304052	Anello di tenuta 40x52x7	Bague d'étanchéité 40x52x7	Sealing ring 40x52x7	Dichtring 40x52x7	1
7	25005.1	Scatola	Carcasse	Housing	Gehäuse	1
8	905500	Anello seeger UNI 7435 - 55	Circlip UNI 7435 - 55	Snap ring UNI 7435 - 55	Seegerring UNI 7435 - 55	2
9	503211	Cuscinetto 3211	Palier 3211	Bearing 3211	Kugellager 3211	1
10	801600	Rosetta UNI 8839 - B 16	Rondelle UNI 8839 B 16	Washer UNI 8839 B 16	Rosette UNI 8839 B 16	1
11	601615	Dado esagonale normale M16x1,5	Ecrou M16x1.5	Nut M16x1.5	Mutter M16x1.5	1
12	AC03.5	Albero conico	Arbre	Female	Antriebsw	1
13	700510	Chiavetta 5x10 UNI 6606	Clavette 5x10 UNI 6606	Key 5x10 UNI 6606	Keil 5x10 UNI 6606	1

- SUPPORTO POMPE Gr. 3,5
- SUPPORT POUR POMPE Gr. 3,5
- PUMP SUPPORT - GROUP 3,5
- PUMPENHALTERUNG MIT KEGELWELLE GR 3,5



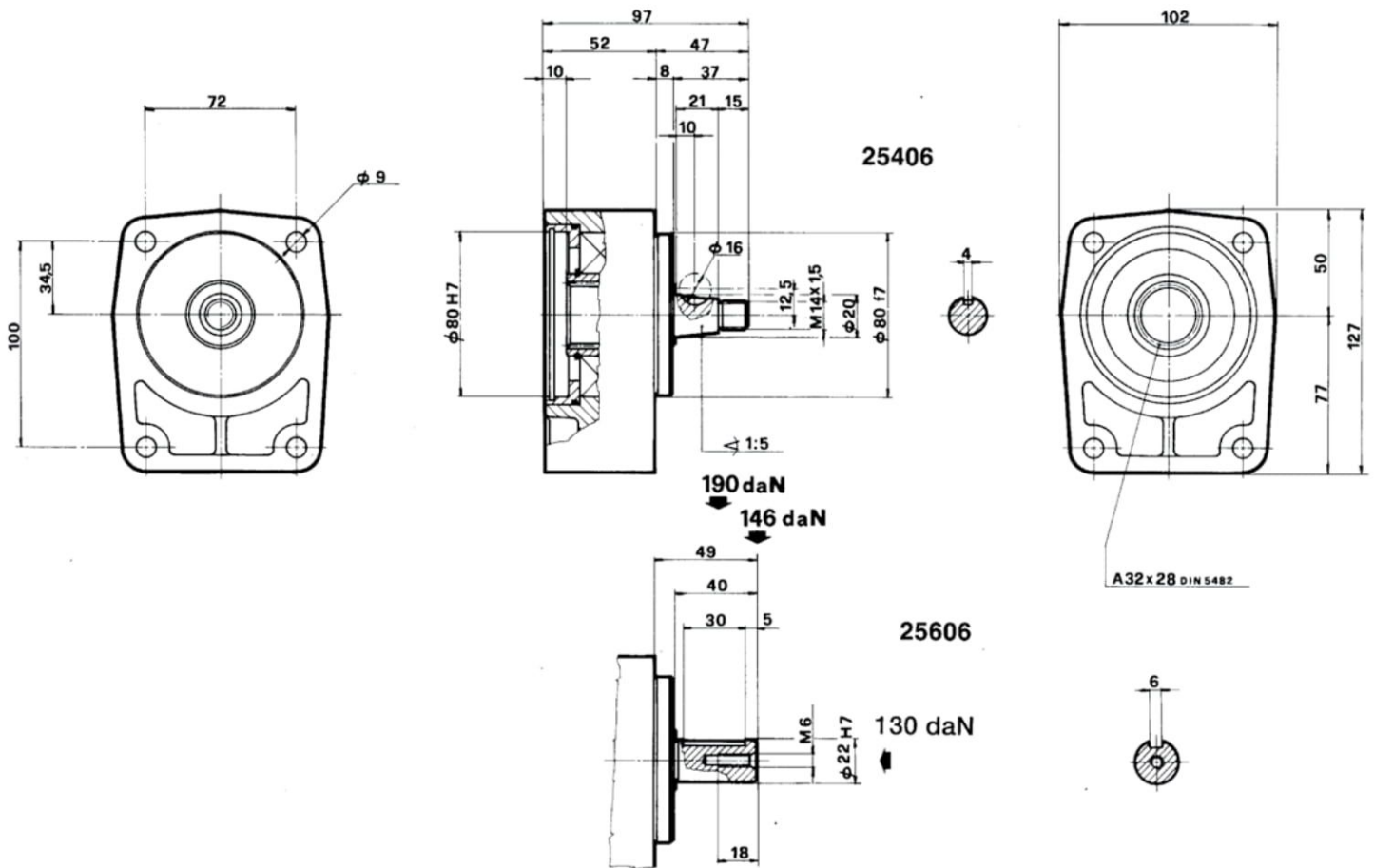
- SUPPORTO POMPE BOSCH Gr. 2
- SUPPORTS POUR POMPES BOSCH Gr. 2
- PUMP SUPPORT BOSCH - GROUP 2
- PUMPENHALTERUNG GR 2 FÜR BOSCH-PUMPEN

SERIE: 25406/25606



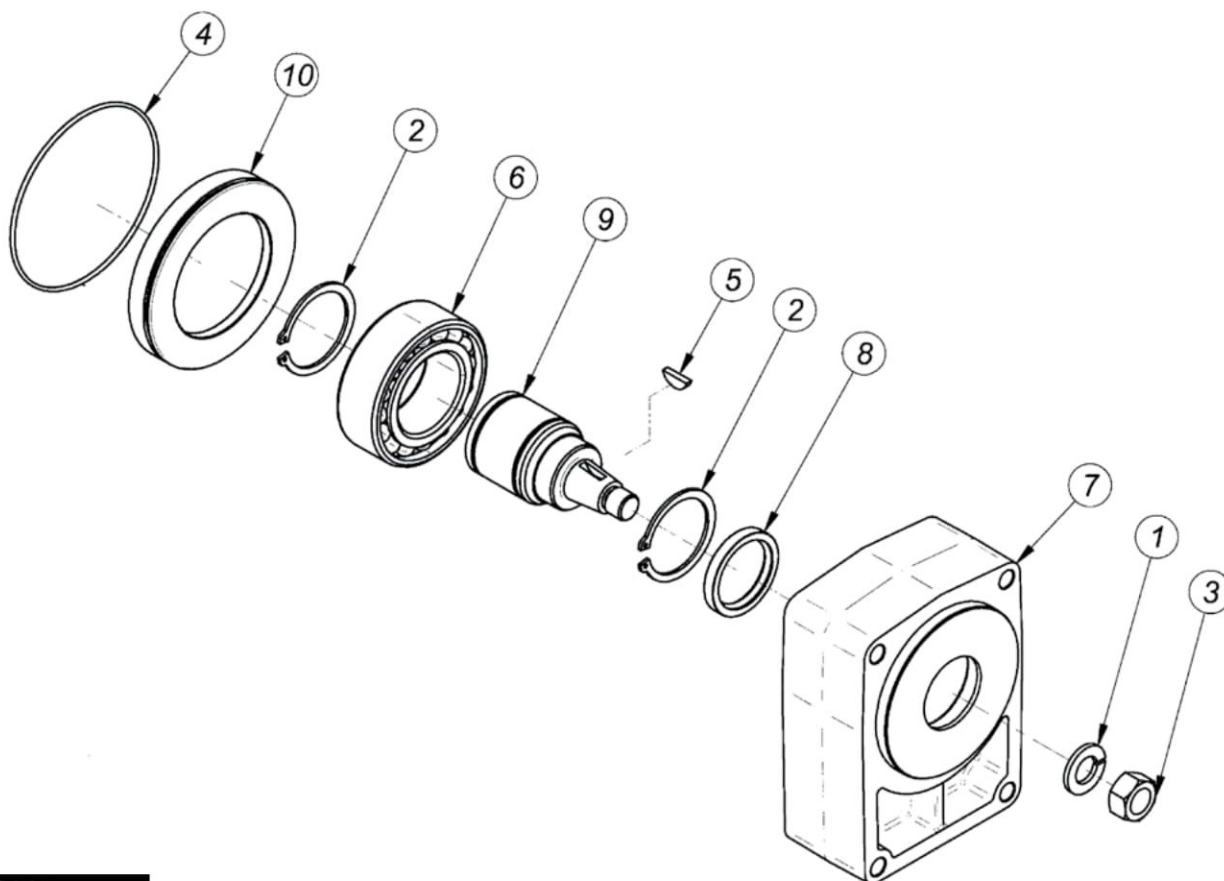
Pos.	CODICE	DENOMINAZIONE	DENOMINATION	DESCRIPTION	BEZEICHNUNG	Q.TA'
1	25006.1	Scatola	Carcasse	Housing	Gehäuse	1
2	303040	Anello di tenuta 30x40x7	Bague d'étanchéité 30x40x7	Sealing Ring 30x40x7	Dichtring 30x40x7	1
3	904000	Anello seeger UNI 7435 - 40	Circlip UNI 7435 - 40	Snap ring UNI 7435 - 40	Seegerring UNI 7435 - 40	2
4	426640	Chiavetta 6x6x40 UNI 6604	Clavette 6x6x40 UNI 6604	Key 6x6x40 UNI 6604	Keil 6x6x40 UNI 6604	1
5	AC22/R	Albero D=22	Arbre d=22	Female d=22	Antriebsw d=22	1
6	503208	Cuscinetto 3208A	Palier 3208A	Bearing 3208A	Kugellager 3208A	1
7	COP088	Anello d=88	Bague d=88	Ring d=88	Ring d=88	1
8	418025	Anello OR 80x2.5	Bague torique 80x2.5	O-Ring 80x2.5	O-Ring 80x2.5	2
9	ACO2/B	Albero conico	Arbre	Female	Antriebsw	1
10	700465	Chiavetta 4x6.5x16 UNI 6606	Clavette 4x6.5x16 UNI 6606	Key 4x6.5x16 UNI 6606	Keil 4x6.5x16 UNI 6606	1
11	801400	Rondella Grower d.14	Rondelle Grower d.14	Wascher Grower d.14	Rosette Grower d.14	1
12	601415	Dado UNI 28675 M14X1.5	Ecrous UNI 28675 M14x1.5	Nut UNI 28675 M14x1.5	Mutter UNI 28675 M14x1.5	1

- SUPPORTO POMPE BOSCH Gr. 2
- SUPPORTS POUR POMPES BOSCH Gr. 2
- PUMP SUPPORT BOSCH - GROUP 2
- PUMPENHALTERUNG GR 2 FÜR BOSCH-PUMPEN



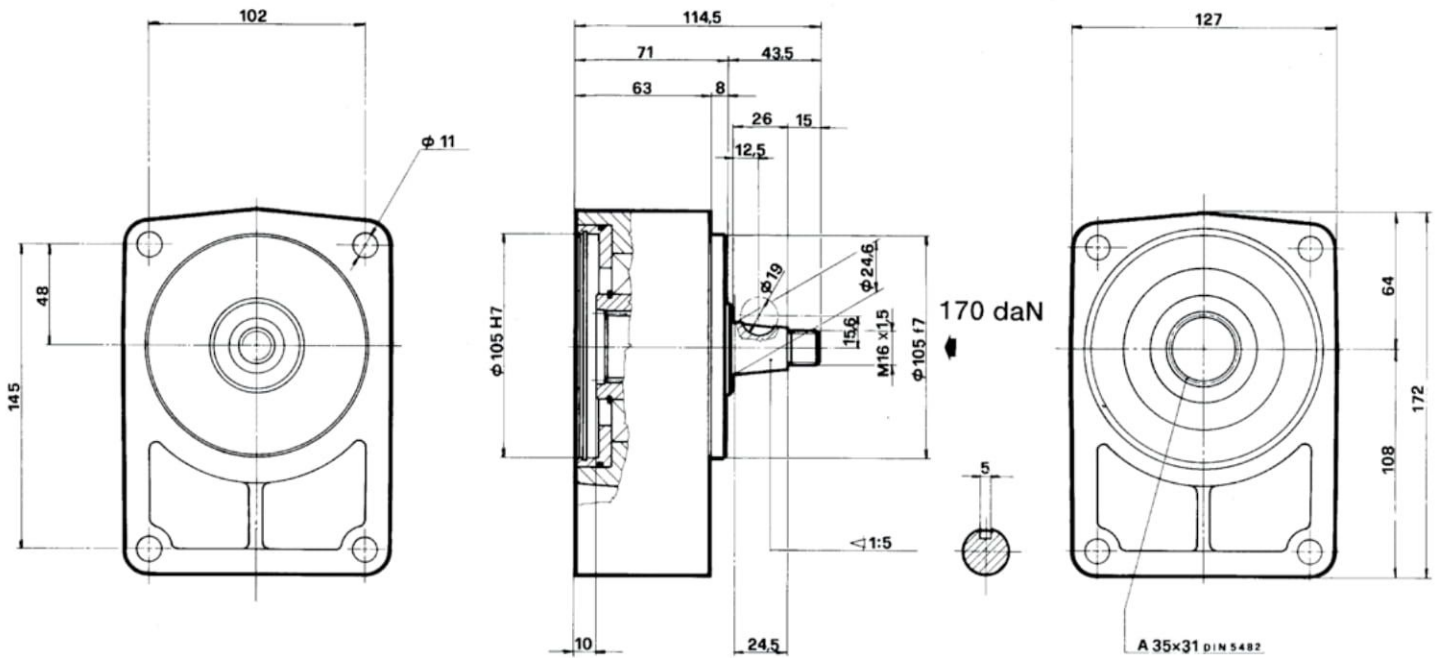
- SUPPORTO POMPE BOSCH Gr. 3
- SUPPORTS POUR POMPES BOSCH Gr. 3
- PUMP SUPPORT BOSCH - GROUP 3
- PUMPENHALTERUNG GR 3 FÜR BOSCH-PUMPEN

SERIE: 25407



Pos.	CODICE	DENOMINAZIONE	DENOMINATION	DESCRIPTION	BEZEICHNUNG	Q.TA'
1	801600	Rosetta UNI 8839 - B 16	Rondelle UNI 8839 B 16	Washer UNI 8839 B 16	Rosette UNI 8839 B 16	1
2	905000	Anello seeger UNI 7435 - 50	Circlip UNI 7435 - 50	Snap ring UNI 7435 - 50	Seegerring UNI 7435 - 50	2
3	601615	Dado esagonale normale M16x1,5	Ecrou M16x1.5	Nut M16x1.5	Mutter M16x1.5	1
4	401890	Anello OR 189	Bagur torique OR189	O-Ring 189	O-Ring 189	1
5	424751	Chiavetta 4x7.5 UNI 6606	Clavette 4x7.5 UNI 6606	Key 4x7.5 UNI 6606	Keil 4x7.5 UNI 6606	1
6	503210	Cuscinetto 3210 A	Palier 3210 A	Bearing 3210 A	Kugellager 3210 A	1
7	25007.1B	Scatola	Carcasse	Housing	Gehäuse	1
8	304052	Anello di tenuta 40x52x7	Bague d' étanchèité 40x52x7	Sealing ring 40x52x7	Dichtring 40x52x7	1
9	AC03/B50	Albero	Arbre	Female	Antriebsw	1
10	25007/C	Anello	Bague	Ring	Ring	1

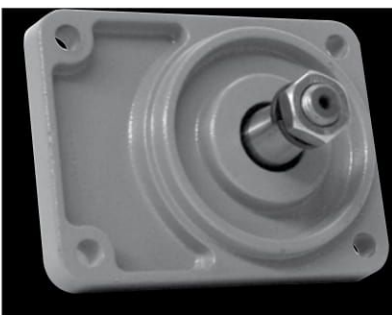
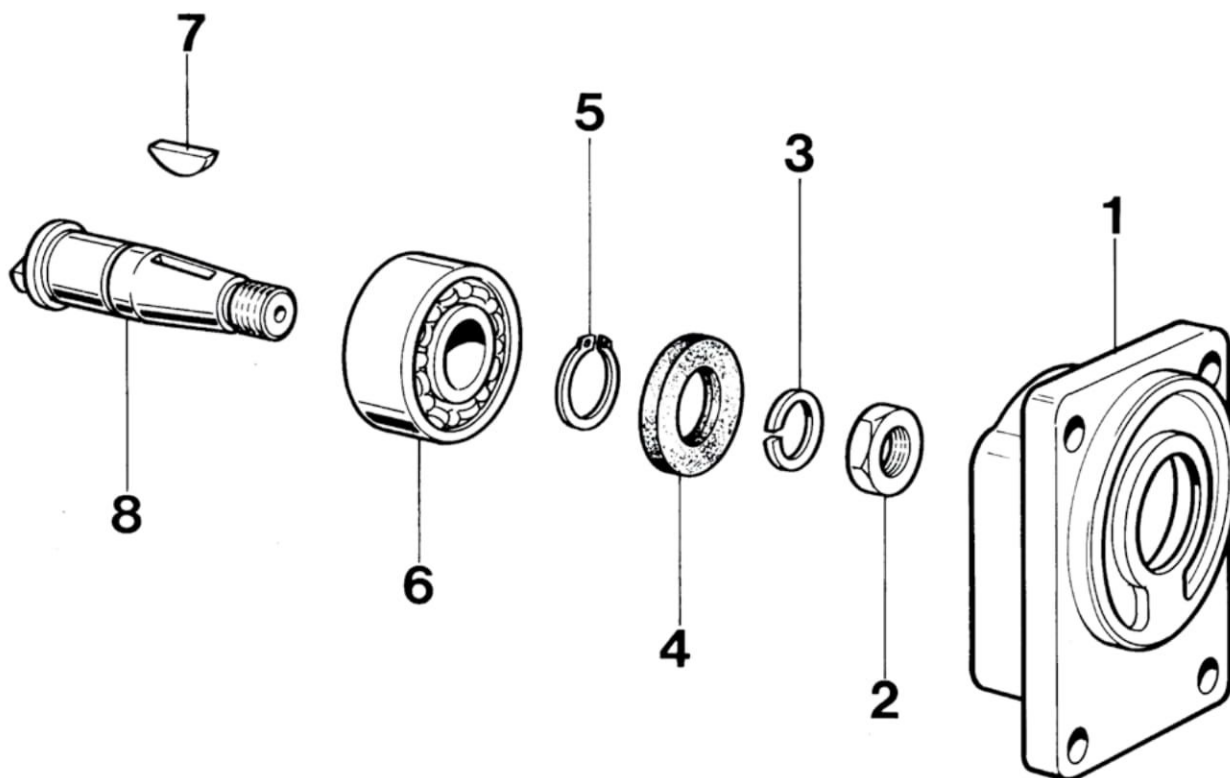
- SUPPORTO POMPE BOSCH Gr. 3
- SUPPORTS POUR POMPES BOSCH Gr. 3
- PUMP SUPPORT BOSCH - GROUP 3
- PUMPENHALTERUNG GR 3 FÜR BOSCH-PUMPEN



25407

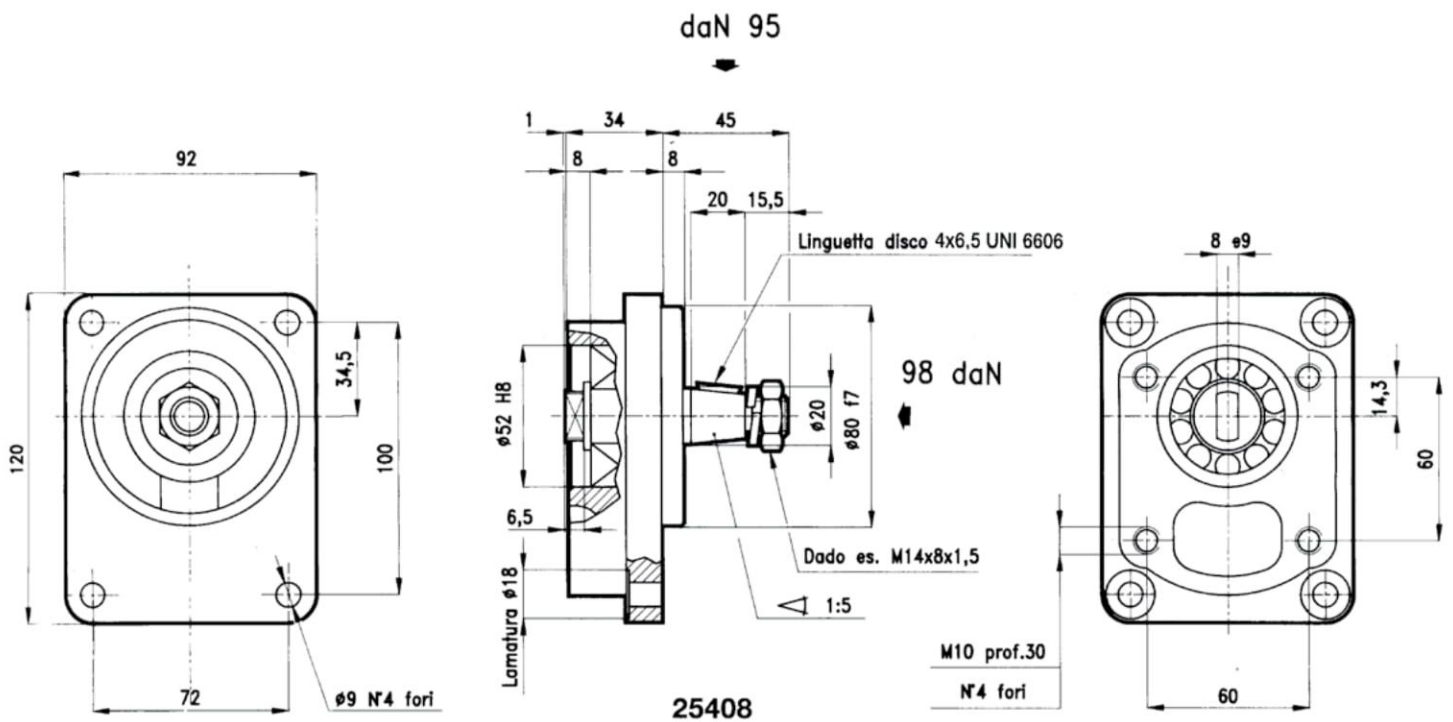
- SUPPORTO POMPE BOSCH Gr. 2
- SUPPORTS POUR POMPES BOSCH Gr. 2
- PUMP SUPPORT BOSCH - GROUP 2
- PUMPENHALTERUNG GR 2 FÜR BOSCH-PUMPEN

SERIE: 25408



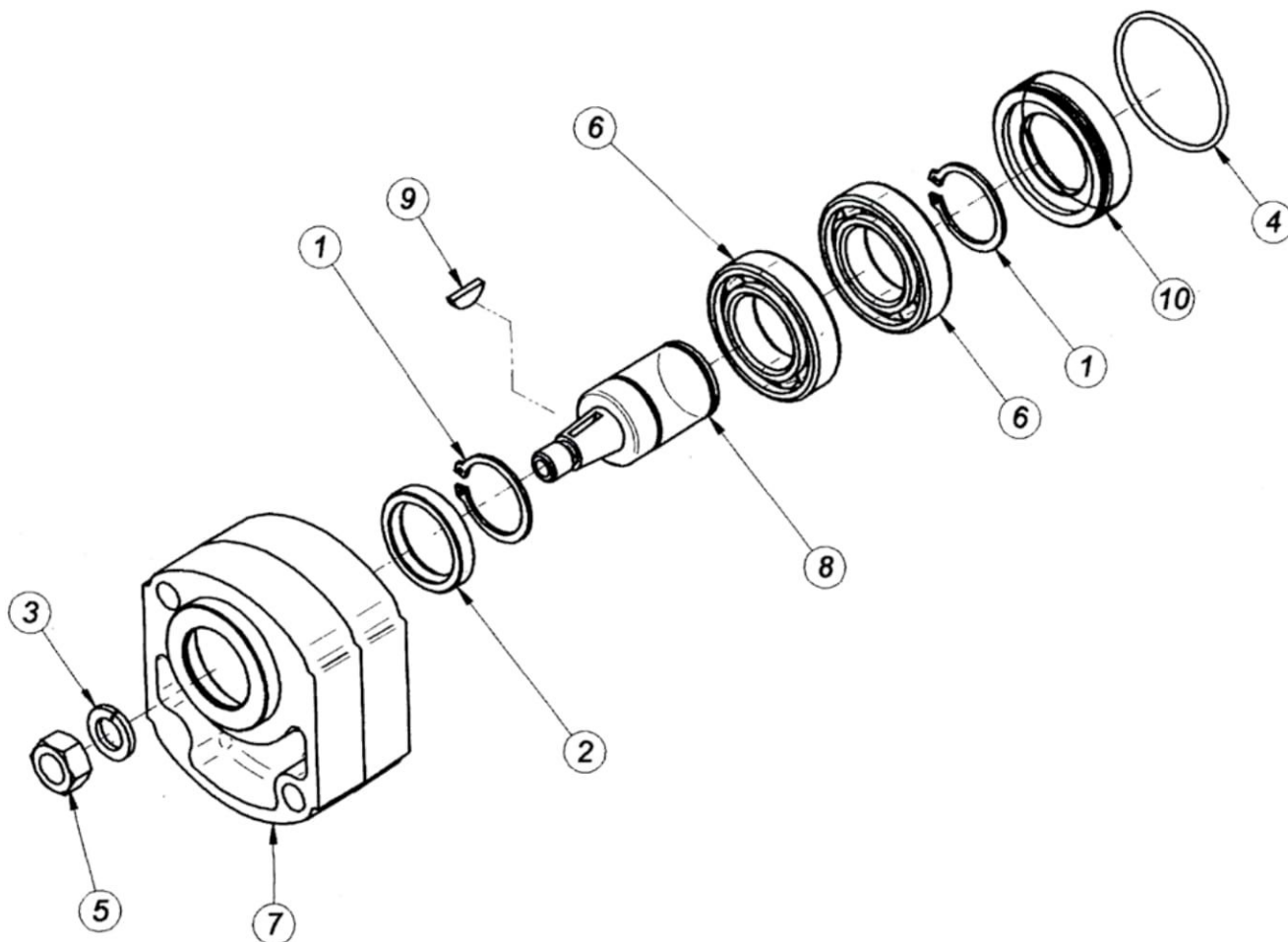
Pos.	CODICE	DENOMINAZIONE	DENOMINATION	DESCRIPTION	BEZEICHNUNG	Q.TA'
1	25006.2	Scatola	Carcasse	Housing	Gehäuse	1
2	601415	Dado UNI 28675 M14X1.5	Ecrous UNI 28675 M14x1.5	Nut UNI 28675 M14x1.5	Mutter UNI 28675 M14x1.5	1
3	801400	Rondella Grower d.14	Rondelle Grower d.14	Wascher Grower d.14	Rosette Grower d.14	1
4	302040	Anello di tenuta 20x40x7	Bague d'étanchéité 20x40x7	Sealing Ring 20x40x7	Dichtring 20x40x7	1
5	902000	Anello seeger UNI 7435 - 20	Circlip UNI 7435 - 20	Snap ring UNI 7435 - 20	Seegerring UNI 7435 - 20	1
6	503304	Cuscinetto 3304 A	Palier 3304 A	Bearing 3304 A	Kugellager 3304 A	1
7	700465	Chiavetta 4x6.5x16 UNI 6606	Clavette 4x6.5x16 UNI 6606	Key 4x6.5x16 UNI 6606	Keil 4x6.5x16 UNI 6606	1
8	ACO2/S	Albero	Arbre	Female	Antriebsw	1

- SUPPORTO POMPE BOSCH Gr. 2
- SUPPORTS POUR POMPES BOSCH Gr. 2
- PUMP SUPPORT BOSCH - GROUP 2
- PUMPENHALTERUNG GR 2 FÜR BOSCH-PUMPEN



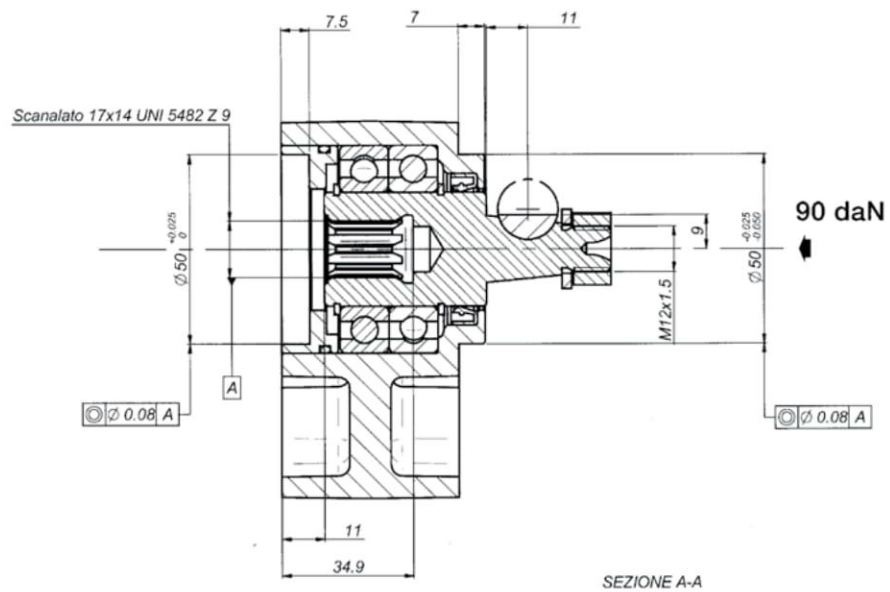
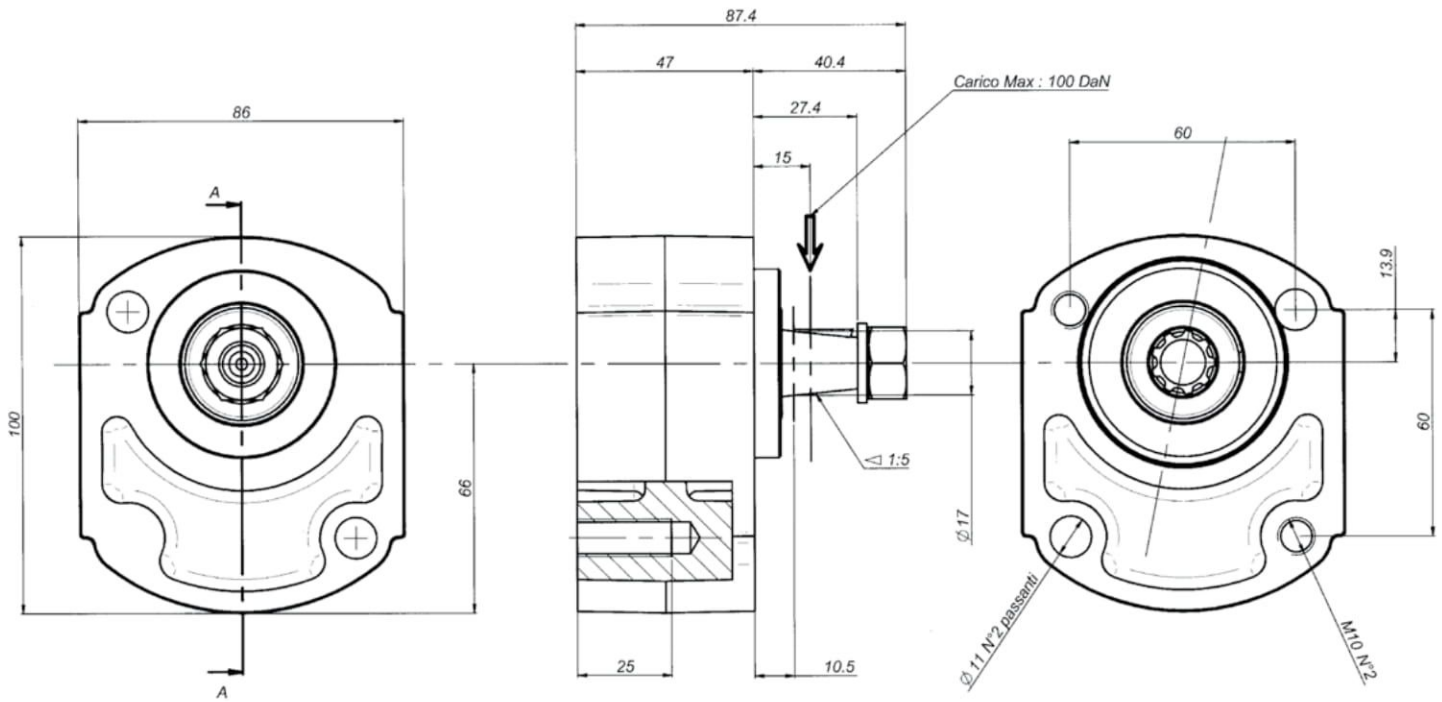
- SUPPORTO POMPE Gr. 2
- SUPPORT POUR POMPE Gr. 2
- PUMP SUPPORT - GROUP 2
- PUMPENHALTERUNG MIT KEGELWELLE GR 2

SERIE: 25409



Pos.	CODICE	DENOMINAZIONE	DENOMINATION	DESCRIPTION	BEZEICHNUNG	Q.TA'
1	903000	Anello seeger UNI 7435 - 30	Circlip UNI 7435 - 30	Snap ring UNI 7435 - 30	Seegering UNI 7435 - 30	2
2	303040	Anello di tenuta 30x40x7	Bague d'etancheite 30x40x7	Sealing ring 30x40x7	Dichtring , durchm. 30x40x7	1
3	801200	Rosetta d.12.5	Rondelle d.12.5	Washer d.12.5	Rosette d.12.5	1
4	403200	Anello OR	Bague torique	O-ring	O-ring	1
5	601215	Dado M12	Ecrous M12	Nut M12	Mutter M12	1
6	506006	Cuscinetto 6006	Palier 6006	Bearing 6006	Kugellager 6006	2
7	25006.3	Scatola	Carcasse	Housing	Gehäuse	1
8	AC02/1714	Albero	Arbre	Female	Antriebsw	1
9	700365	Chiavetta 3x6.5	Clavette 3x6.5	Key 3x6.5	Keil 3x6.5	1
10	COPO55	Anello	Bague	Ring	Ring	1

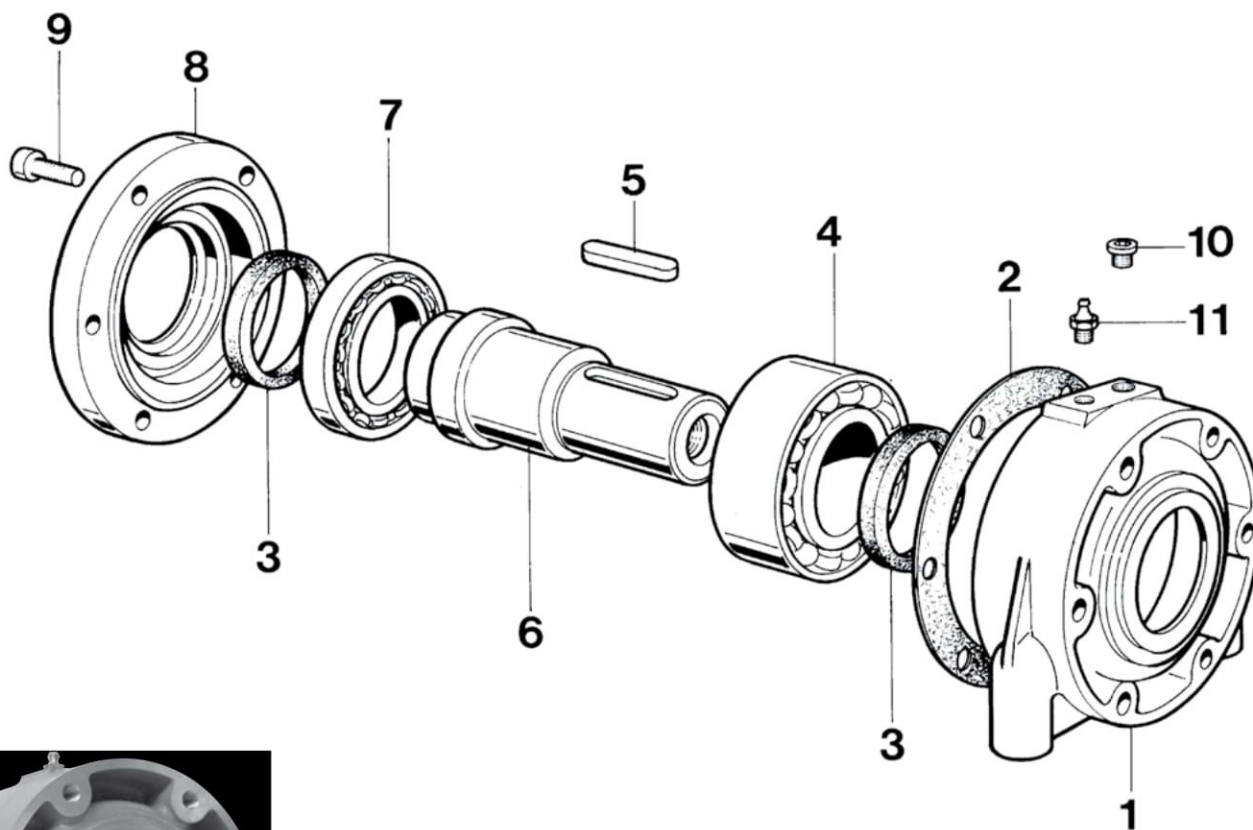
- SUPPORTO POMPE Gr. 2
- SUPPORT POUR POMPE Gr. 2
- PUMP SUPPORT - GROUP 2
- PUMPENHALTERUNG MIT KEGELWELLE GR 2



25409

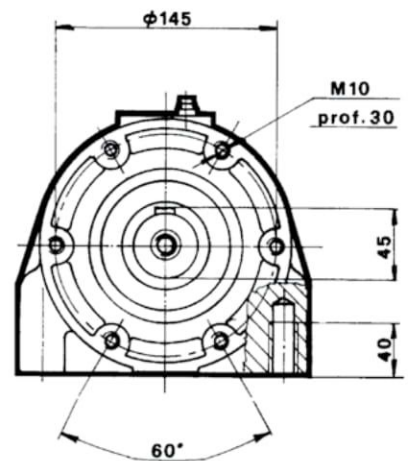
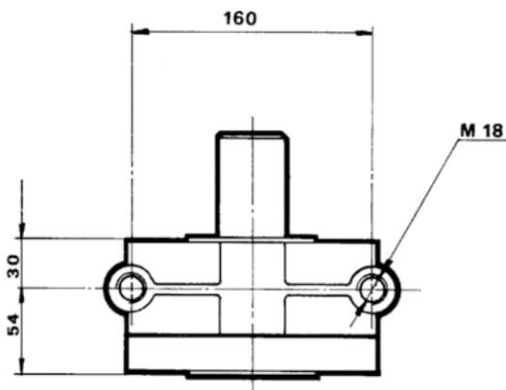
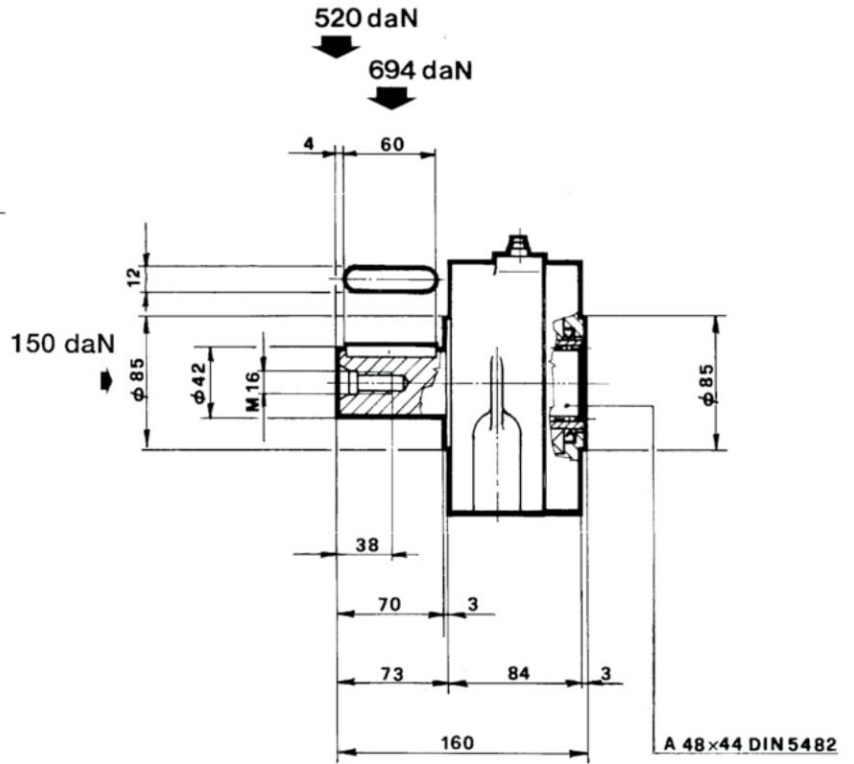
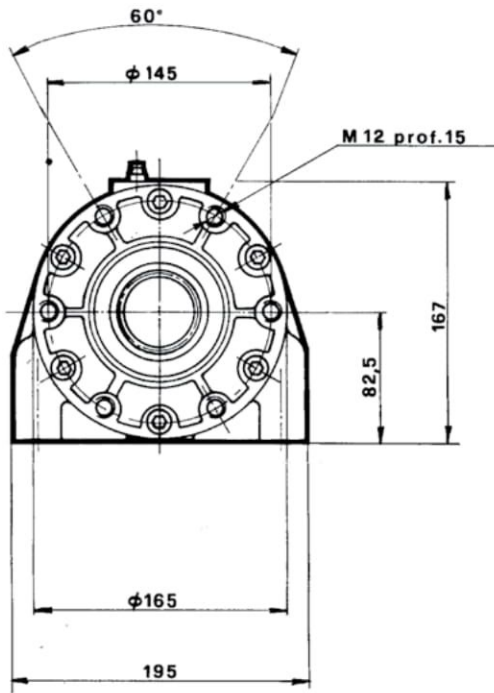
- SUPPORTO POMPE Gr. 4 UNIVERSALE
- SUPPORT POUR POMPE Gr. 4
- PUMP SUPPORT - GROUP 4
- PUMPENHALTERUNG MIT KEGELWELLE GR 4

SERIE: 25609



Pos.	CODICE	DENOMINAZIONE	DENOMINATION	DESCRIPTION	BEZEICHNUNG	Q.TA'
1	25009.1	Scatola	Carcasse	Housing	Gehäuse	1
2	30470.2	Guarnizione	Joint	Gasket	Dichtung	1
3	306075	Anello di tenuta 60x75x8	Bague d'étanchéité 60x75x8	Sealing Ring 60x75x8	Dichtring 60x75x8	2
4	503212/Z	Cuscinetto 3212 A	Palier 3212 A	Bearing 3212 A	Kugellager 3212 A	1
5	421286	Chiavetta 12x8x60 UNI 6604	Clavette 12x8x60 UNI 6604	Key 12x8x60 UNI 6604	Keil 12x8x60 UNI 6604	1
6	AC 42	Albero D=42	Arbre d=42	Female d=42	Antriebsw d=42	1
7	501601	Cuscinetto 16012 A	Palier 16012 A	Bearing 16012 A	Kugellager 16012 A	1
8	30470	Flangia	Bride	Flange	Flansch	1
9	611025	Vite TCEI M10x25	Vis TCHC M10x25	Socket Capscrew M10x25	Zylinderkopfschraube mit innensechskant M10x25	6
10	940182	Tappo scarico olio 1/8" G	Bouchon vidange huile 1/8" G	Oil drain plug 1/8" G	Ölablaßschraube 1/8" G	1
11	500000.1	Ingrassatore UNI 7663-A M8x1.25	Graisseur UNI 7663- A M8x1.25	Grease nipple UNI 7663-A M8x1.25	Fettbuchse UNI 7663-A M8x1.25	1

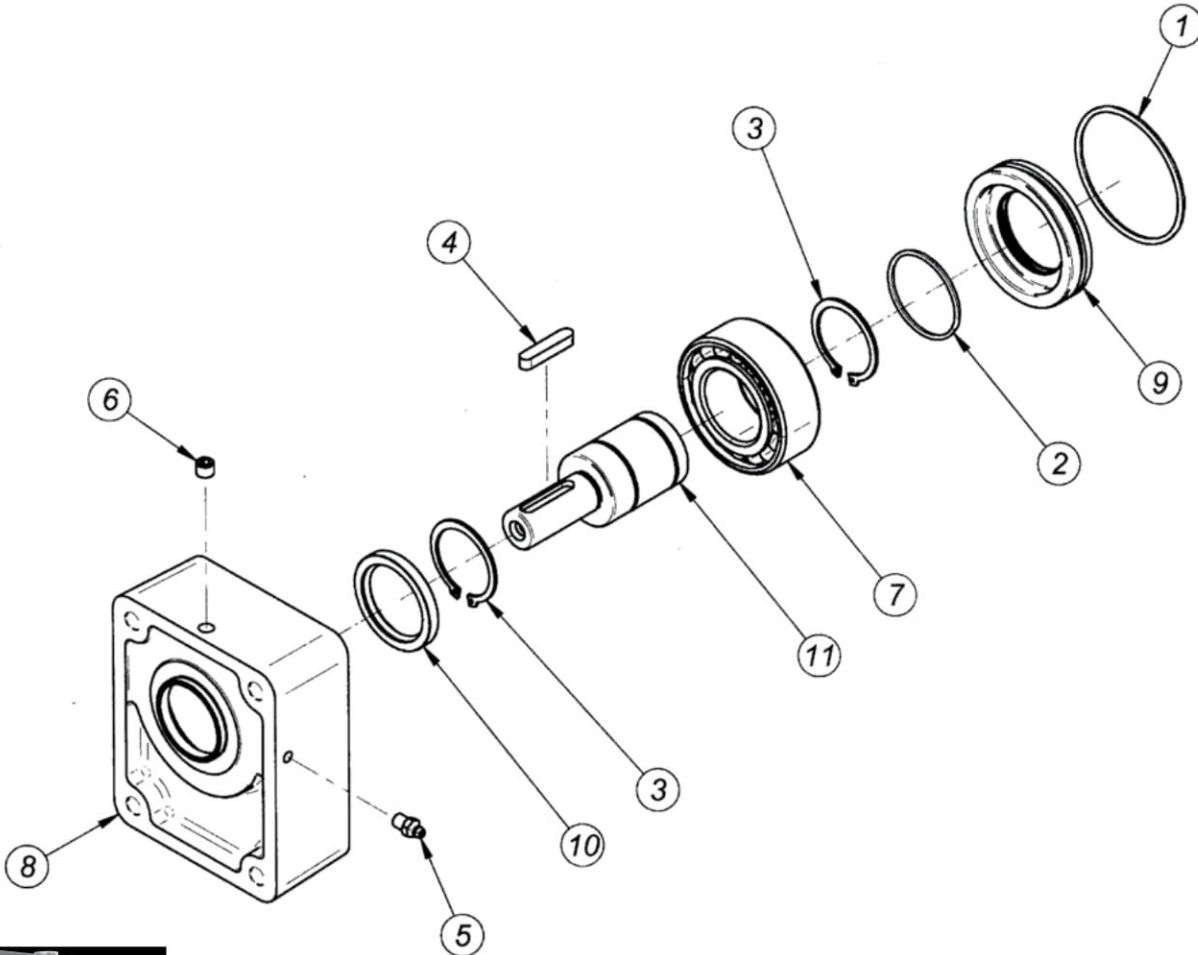
- SUPPORTO POMPE Gr. 4 UNIVERSALE
- SUPPORT POUR POMPE Gr. 4
- PUMP SUPPORT - GROUP 4
- PUMPENHALTERUNG MIT KEGELWELLE GR 4



25609

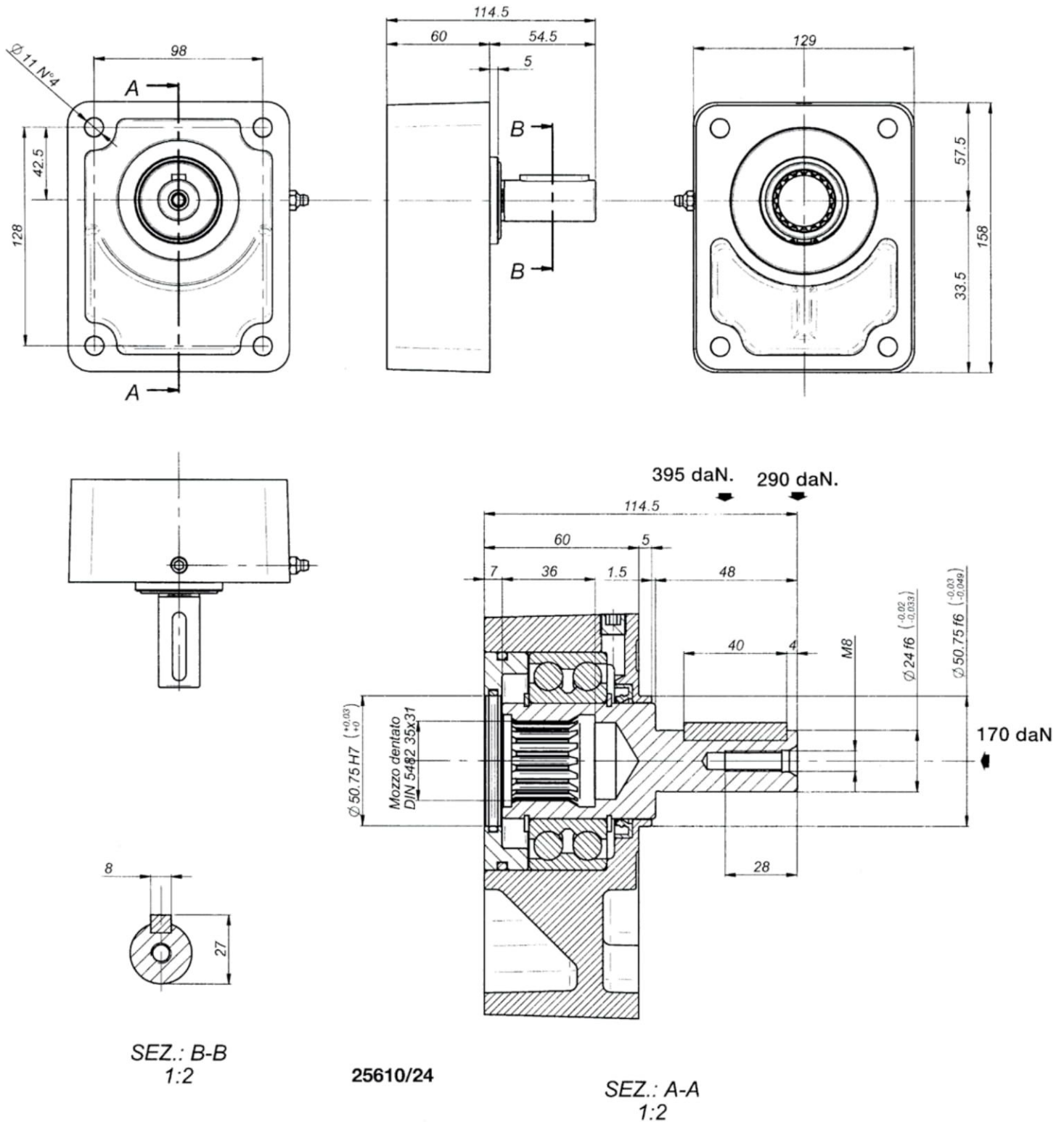
- SUPPORTO IN GHISA POMPE Gr. 3
- SUPPORT EN FONTE POUR POMPE Gr. 3
- CAST IRON PUMP SUPPORT Gr. 3
- GUSSPUMPENHALTERUNG MIT KEGELWELLE Gr. 3

SERIE: 25610/24



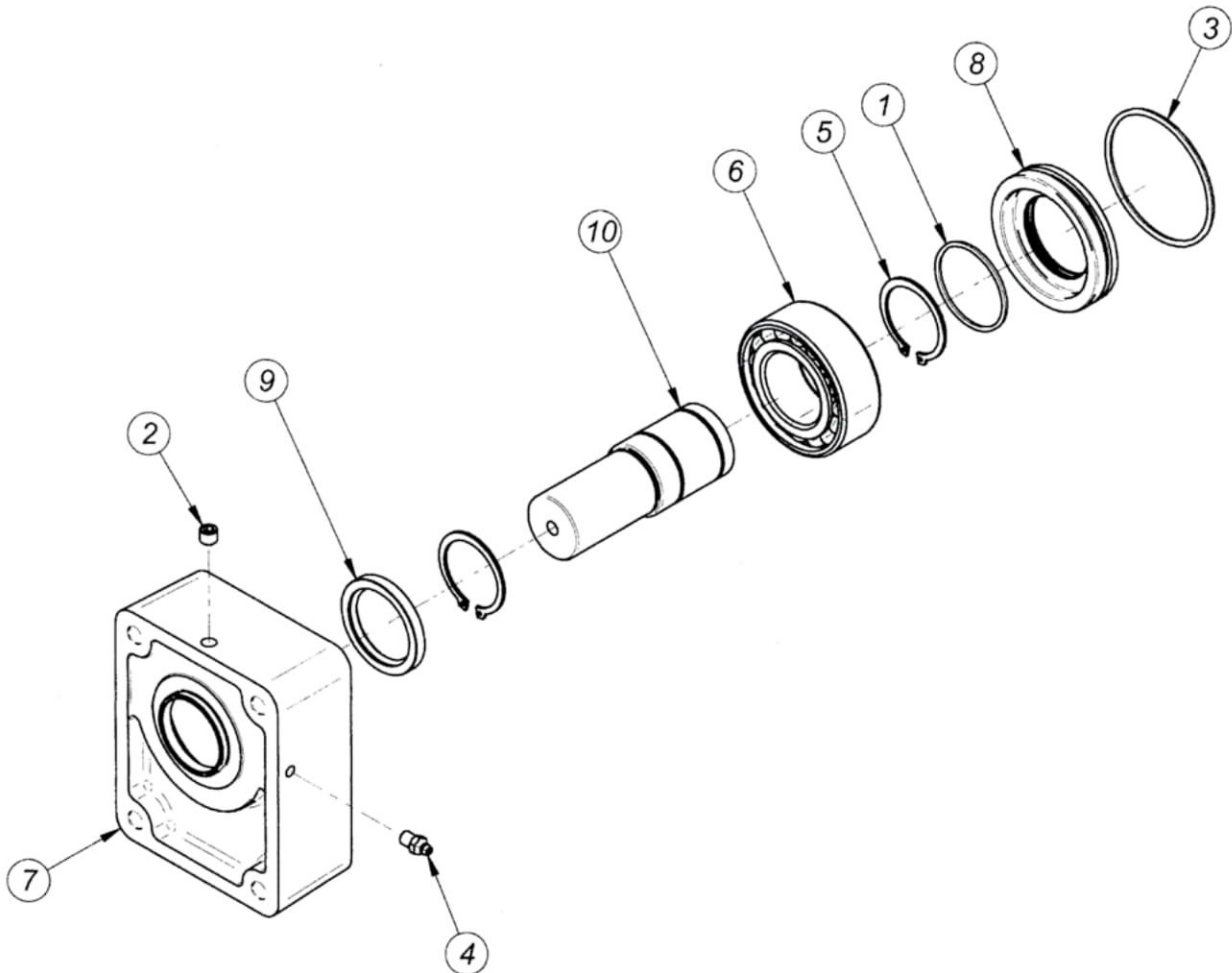
Pos.	CODICE	DENOMINAZIONE	DENOMINATION	DESCRIPTION	BEZEICHNUNG	Q.TA'
1	404300	Anello OR	Bague torique	O-Ring	O-Ring	1
2	403200	Anello OR 3200	Bague torique 3200	O-Ring 3200	O-Ring 3200	1
3	904500	Anello elastico d.45	Circlip d.45	Snap ring d.45	Seegerring d.45	2
4	428740	Chiavetta 8x7x40	Clavette 8x7x40	Key 8x7x40	Keil 8x7x40	1
5	500000.1	Ingrassatore M8	Engraisseur M8	Fattener M8	Fattener M8	1
6	940182	Tappo M10x1	Bouchon M10x1	Oil drain M10x1	Olablabschraube M10x1	1
7	503209	Cuscinetto 3209 A	Palier 3209 A	Bearing 3209 A	Kugellager 3209 A	1
8	28000.1	Scatola	Carcasse	Housing	Gehäuse	1
9	COPO85	Anello	Bague	Ring	Ring	1
10	304560	Anello di tenuta 45x60x7	Bague d'étanchéité 45x60x7	Sealing ring 45x60x7	Dichtring 45x60x7	1
11	AC24/G	Albero d.24	Arbre d.24	Female d.24	Antriebsw d.24	1

- SUPPORTO IN GHISA POMPE Gr. 3
- SUPPORT EN FONTE POUR POMPE Gr. 3
- CAST IRON PUMP SUPPORT Gr. 3
- GUSSPUMPENHALTERUNG MIT KEGELWELLE Gr. 3



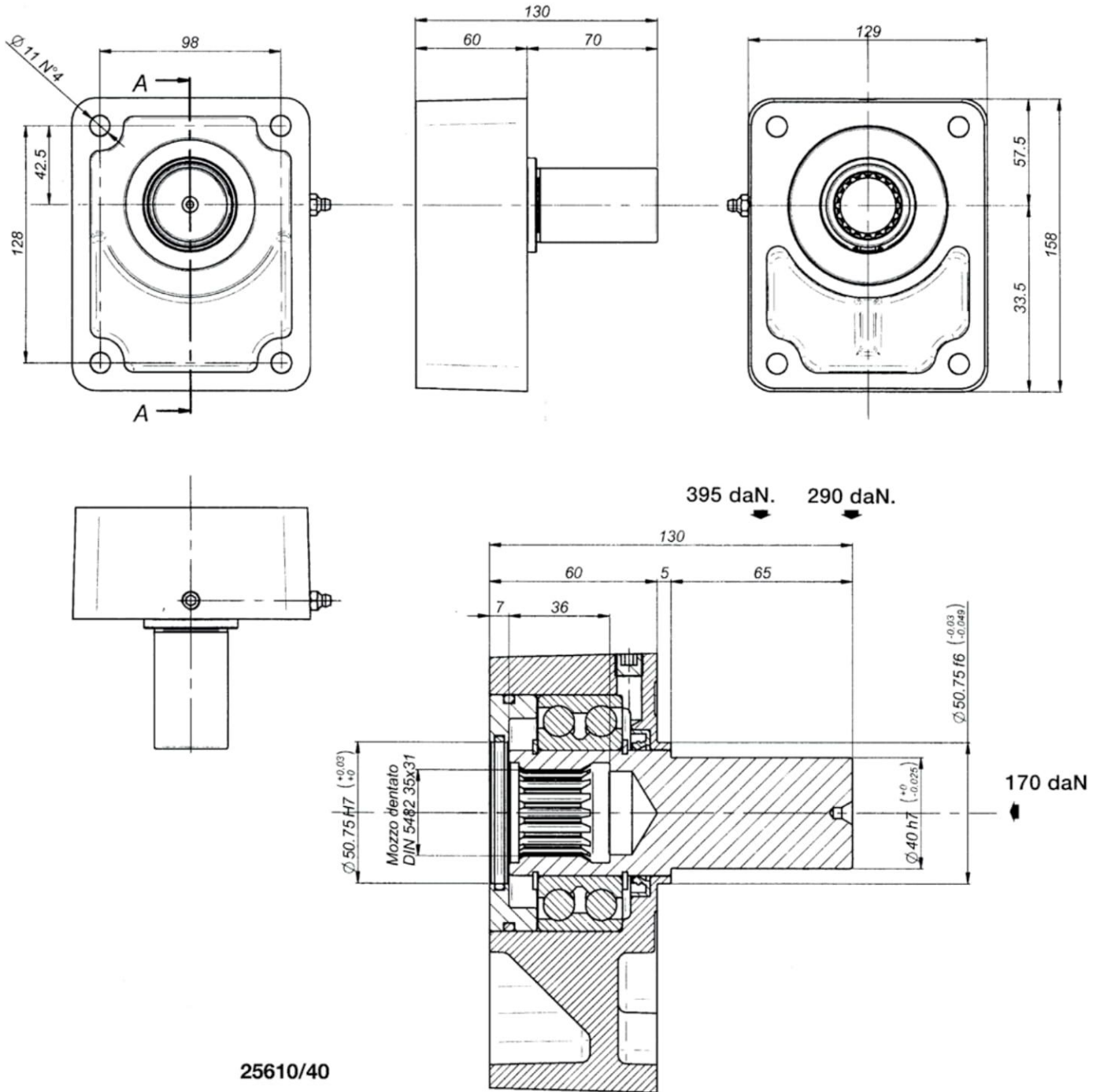
- SUPPORTO IN GHISA POMPE Gr. 3
- SUPPORT EN FONTE POUR POMPE Gr. 3
- CAST IRON PUMP SUPPORT Gr. 3
- GUSSPUMPENHALTERUNG MIT KEGELWELLE Gr. 3

SERIE: 25610/40

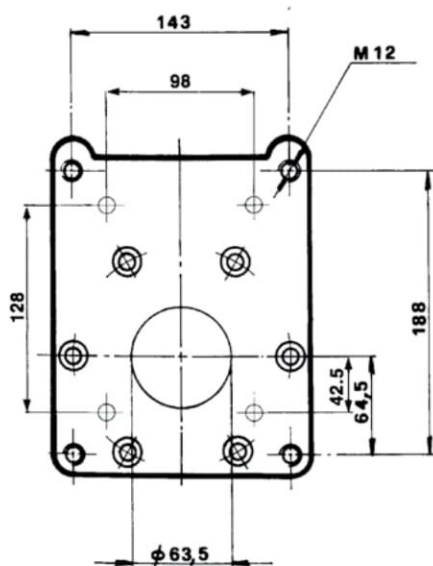


Pos.	CODICE	DENOMINAZIONE	DENOMINATION	DESCRIPTION	BEZEICHNUNG	Q.TA'
1	403200	Anello OR 3200	Bague torique 3200	O-Ring 3200	O-Ring 3200	1
2	940182	Tappo M10x1	Bouchon M10x1	Oil drain M10x1	Olialabschraube M10x1	1
3	404300	Anello OR	Bague torique	O-Ring	O-Ring	1
4	500000.1	Ingrassatore M8	Engraisseur M8	Fattener M8	Fattener M8	1
5	904500	Anello elastico d.45	Circlip d.45	Snap ring d.45	Seegerring d.45	2
6	503209	Cuscinetto 3209 A	Palier 3209 A	Bearing 3209 A	Kugellager 3209 A	1
7	28000.1	Scatola	Carcasse	Housing	Gehäuse	1
8	COPO85	Anello	Bague	Ring	Ring	1
9	304560	Anello di tenuta 45x60x7	Bague d' étanchéité 45x60x7	Sealing ring 45x60x7	Dichtring 45x60x7	1
10	AC40	Albero d.40	Arbre d.40	Female d.40	Antriebsw d.40	1

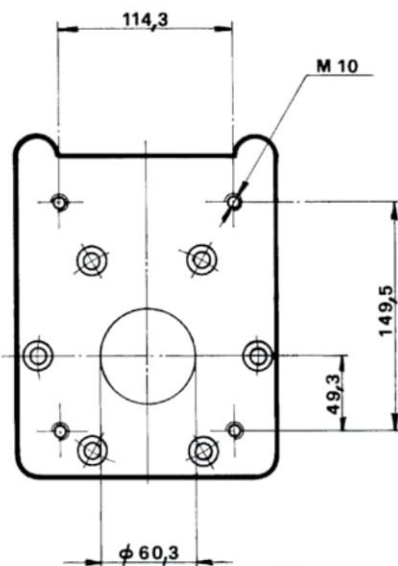
- SUPPORTO IN GHISA POMPE Gr. 3
- SUPPORT EN FONTE POUR POMPE Gr. 3
- CAST IRON PUMP SUPPORT Gr. 3
- GUSSPUMPENHALTERUNG MIT KEGELWELLE Gr. 3



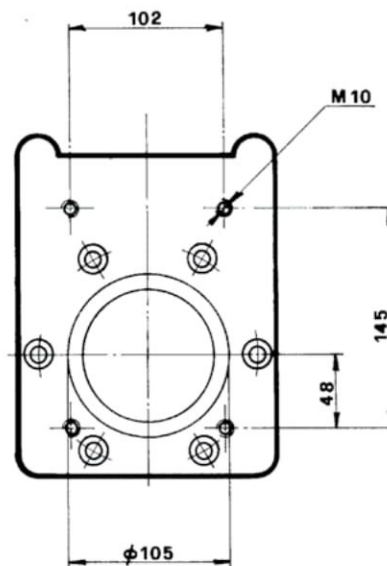
- FLANGIE PER SUPPORTI POMPE Gr. 4 UNIVERSALE
- BRIDES POUR SUPPORTS POUR POMPES Gr. 4
 - FLANGES FOR PUMP SUPPORTS GROUP 4
 - FLANSCH FÜR PUMPENHALTERUNGEN GR 4



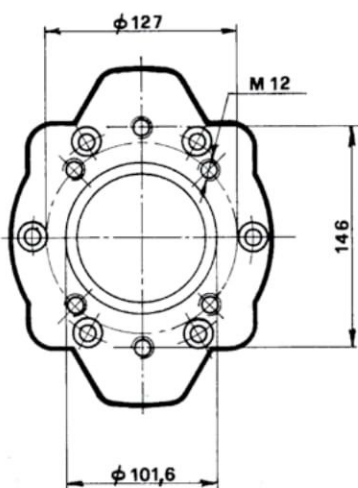
4 P 30403
3 P 30401



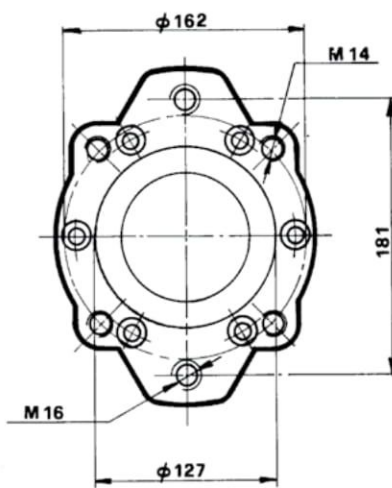
3,5 P 30402



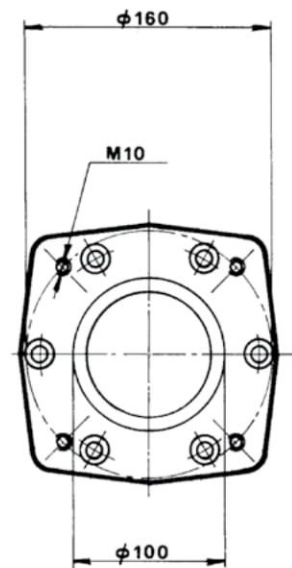
Bosch ZG3 30417



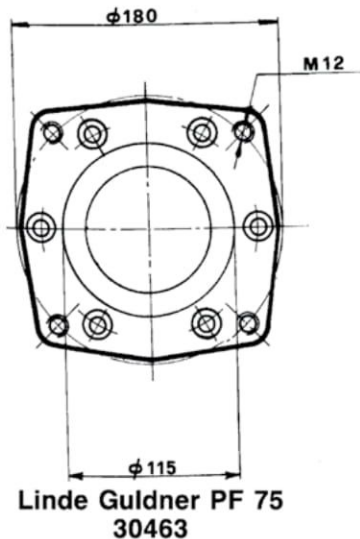
SAE B 2-4 fori
30421 - 30422



SAE C 2-4 fori
30431 - 30432



Linde Guldner PF 20-35-50
30461 - 30462



Linde Guldner PF 75
30463