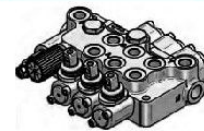
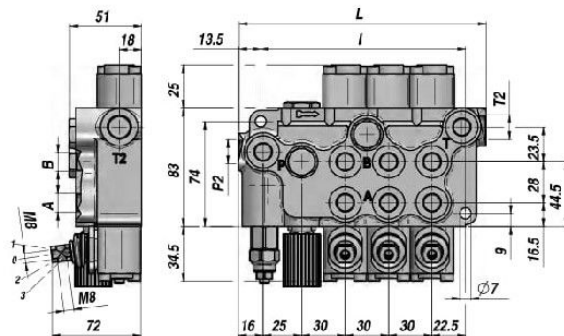
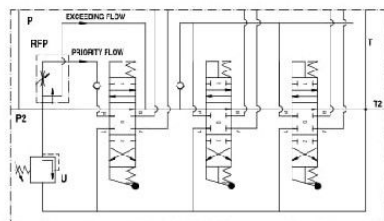


DISTRIBUTEUR MONOBLOC + RFP
MONOBLOCK VALVE + RFP
DISTRIBUIDOR MONOBLOQUE + RFP

Qn
17 l/min

Qmax
25 l/min

BF 200



Code Code Código	Type Type Tipo	N° Leviers Sections No. Nr. Palancas	Orifices - Threads - Orificios					PN bar	P MAX U bar	P MAX S bar	L	I	kg
			A-B BSP	P BSP	T BSP	P2 BSP	T2 BSP						
DBF0108001	BF 201/1/GU/MO A1	1								106	80	2,40	
DBF0208001	BF 201/2/GU/MO A1 x 2	2							136	110	3,20		
DBF0308001	BF 201/3/GU/MO A1 x 3	3	1/4"	1/4"	3/8"	3/8"	3/8"	250	320	80	166	140	4,00
DBF0408001	BF 201/4/GU/MO A1 x 4	4							196	170	4,80		
DBF0508001	BF 201/5/GU/MO A1 x 5	5							226	200	5,60		

RFP = Regulateur de débit prioritaire (compense en pression) - Priority control flow divider (pressure compensated) - Regulador de caudal con válvula prioritaria de presión compensada

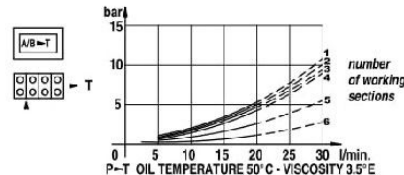
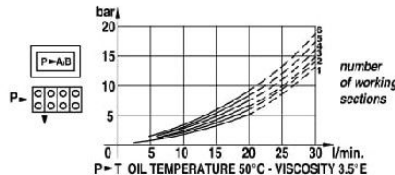
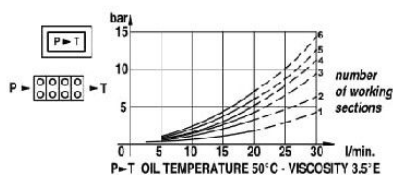
PN = Pression nominale - Nominal pressure - Presión nominal

P MAX U = Pression maxi sur les orifices - Max. pressure on ports - Presión Max. sobre los orificios

P MAX S = Pression maxi sur le retour - Max. pressure in tank-line - Presión Max. al retorno

Limiteur de pression - Relief Valve - Limitador de presión: X = 30:90 bar (70) - U = 80:230 bar (140) (Standard) - K = 150:300 bar (200)

LES CODES CORRESPONDENT A - THESE CODES AND PRICES REFER TO - LOS CODIGOS SE REFIEREN A LOS MODELOS DE:
DOUBLE EFFET - 3 POSITIONS - RAPPEL RESSORT - A/B FERMEE - ORIFICES BSP - PREDISPOSITION POUR CENTRE A SUIVRE
DOUBLE ACTING TYPE - 3 POSITIONS - SPRING RETURN - A/B PORTS CLOSED - BSP THREADS - MACHINED FOR CARRY-OVER
DOBLE EFECTO - 3 POSICIONES - RETORNO POR MUELLE - A/B CERRADOS - ROSCAS BSP - PREPARADO PARA RETORNO A PRESION (CARRY-OVER)



TIROIR SPOOL TYPE - CORREDERAS	
A	
B	
C	
D	
K	

POSITIONNEUR SPOOL CONTROL - POSICIONADOR	
1	
2	
3	
6	
7	
8	
16	

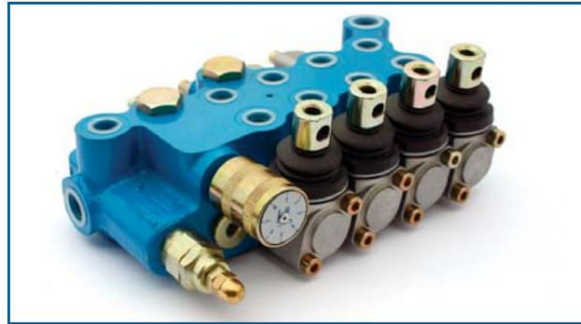
SUR DEMANDE ON REQUEST - BAJO PEDIDO	
MC	commande manuelle + teton manual operator with cam accionamiento manual con leva
MX	levier de sécurité safety lever palanca de seguridad
DO	came de commande cam operator control por levas
JS	double commande joystick joystick
MSW	microrupteur microswitch microinterruptor
CO	centre a suivre power beyond (carry over) retorno a presión (carry over)

BF200 da 1 a 5 leve

BF200 from 1 to 5 levers

Caratteristiche generali / Technical characteristics

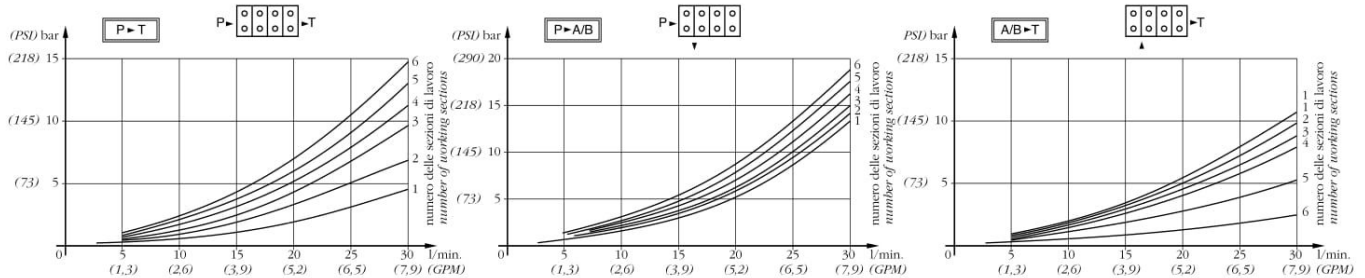
	l/min GPM	
• Portata nominale / Nominal flow	17	4,5
• Portata limite / Max flow	25	6,6
	bar	PSI
• Pressione nominale / Nominal pressure	250	3600
• Pressione max sugli utilizzi / Max pressure on ports	320	4700
• Contropressione max allo scarico / Max pressure in tank-line	80	1100



P→T - TEMPERATURA OLIO 50°C - VISCOSITÀ 3,5°E

P→A/B - TEMPERATURA OLIO 50°C - VISCOSITÀ 3,5°E

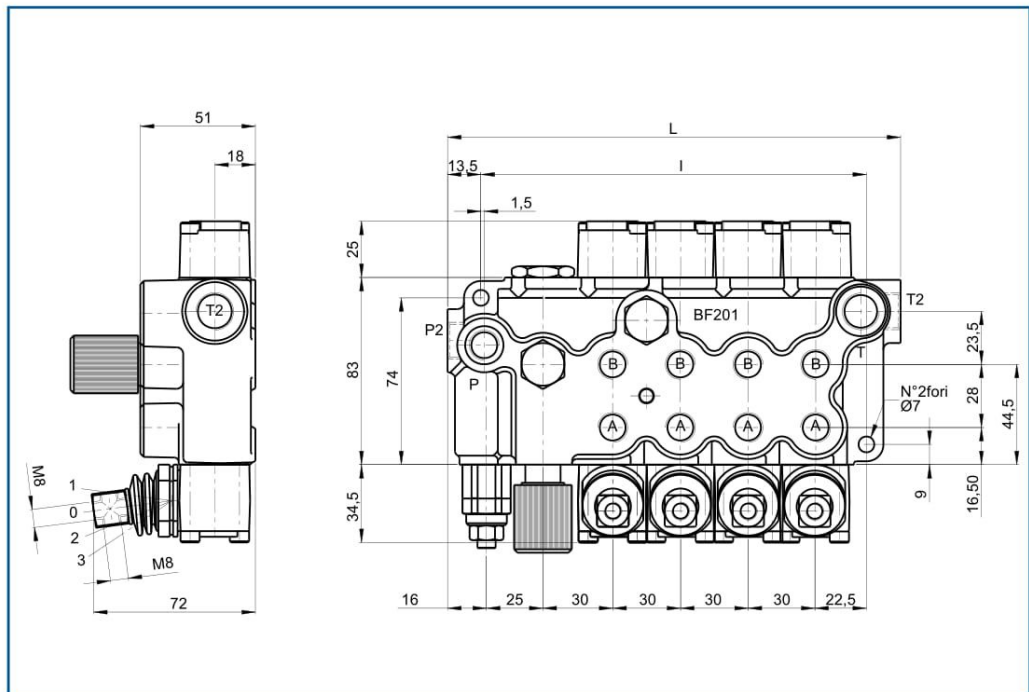
A/B→T - TEMPERATURA OLIO 50°C - VISCOSITÀ 3,5°E



Gli elementi prioritari hanno 5÷8 bar in più a seconda della portata regolata

Priority elements get 5÷8 bar (72÷116 PSD) more according to related flow.

BF201/...=	n° 1 elemento prioritario n° 1 priority element
BF202/...=	n° 2 elementi prioritari n° 2 priority elements
BF203/...=	n° 3 elementi prioritari n° 3 priority elements
BF204/...=	n° 4 elementi prioritari n° 4 priority elements
BF205/...=	n° 5 elementi prioritari n° 5 priority elements



MOD	L	I	Kg
BF20.../1	106	80	2,4
BF20.../2	136	110	3,2
BF20.../3	166	140	4,0
BF20.../4	196	170	4,8
BF20.../5	226	200	5,6

FILETTATURA STANDARD - STANDARD THREADS

COD	A-B	P	T	P ₂	T ₂	P ₃	T ₃
G	1/4"	1/4"	3/8"	3/8"	3/8"	1/4"	1/4"
F	9/16" - 18	9/16" - 18	3/4" - 16	3/4" - 16	3/4" - 16		

◀ Su richiesta filettature diverse
Other threads available on request

