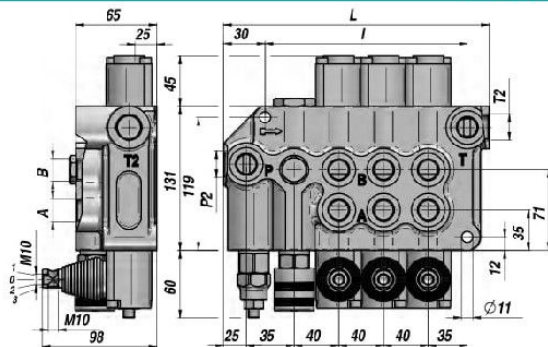
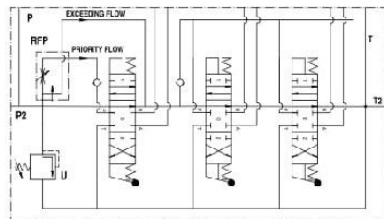


DISTRIBUTEUR MONOBLOC + RFP
MONOBLOCK VALVE + RFP
DISTRIBUIDOR MONOBLOQUE + RFP

Qn
65 l/min

Qmax
90 l/min

BF 700



Code Code Código	Type Type Tipo	N° Leviers Sections No. Nr. Palancas	Orifires - Threads - Orificios					PN bar	P MAX U bar	P MAX S bar	L	I	kg
			A-B BSP	P BSP	T BSP	P2 BSP	T2 BSP						
DBF4110001	BF 701/1/GU/MO A1	1								157	106	6,60	
DBF4211001	BF 701/2/GU/MO A1x2	2								197	146	9,00	
DBF4308001	BF 701/3/GU/MO A1x3	3	1/2"	1/2"	1/2"	3/4"	3/4"	250	320	80	237	186	11,20
DBF4408001	BF 701/4/GU/MO A1x4	4								277	226	13,50	

RFP = Regulateur de débit prioritaire (compense en pression) - Priority control flow divider (pressure compensated) - Regulador de caudal con válvula prioritaria de presión compensada

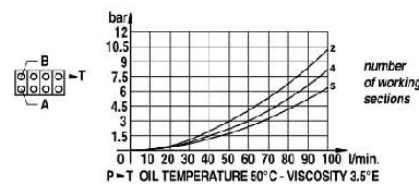
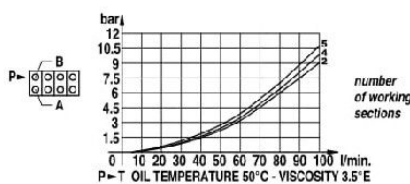
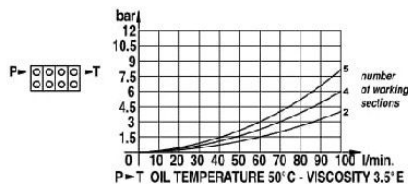
PN = Pression nominale - Nominal pressure - Presión nominal

P MAX U = Pression maxi sur les orifires - Max. pressure on ports - Presión Max. sobre los orificios

P MAX S = Pression maxi sur le retour - Max. pressure in tank-line - Presión Max. al retorno

Limiteur de pression - Relief Valve - Limitador de presión: X = 30:90 bar (70) - U = 80:230 bar (140) (Standard) - K = 150:300 bar (200)

LES CODES CORRESPONDENT A - THESE CODES AND PRICES REFER TO - LOS CODIGOS SE REFIEREN A LOS MODELOS DE:
DOUBLE EFFET - 3 POSITIONS - RAPPEL RESSORT - A/B FERMEE - ORIFICES BSP - PREDISPOSITION POUR CENTRE A SUIVRE
DOUBLE ACTING TYPE - 3 POSITIONS - SPRING RETURN - A/B PORTS CLOSED - BSP THREADS - MACHINED FOR CARRY-OVER
DOBLE EFECTO - 3 POSICIONES - RETORNO POR MUELLE - A/B CERRADOS - ROSCAS BSP - PREPARADO PARA RETORNO A PRESION (CARRY-OVER)



TIROIR SPOOL TYPE - CORREDERAS	
A	
B	
C	
D	
L	
Z	

POSITIONNEUR SPOOL CONTROL - POSICIONADOR	
1	
2	
3	
6	
7	
8	
12	
42	

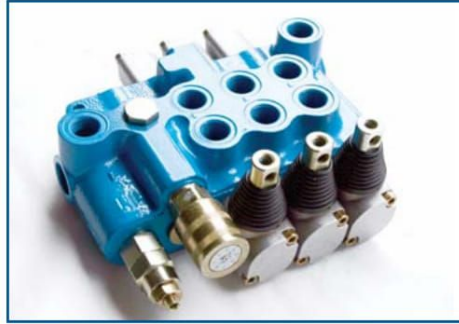
SUR DEMANDE ON REQUEST - BAJO PEDIDO	
MC	commande manuelle + teton manual operator with cam accionamiento manual con leva
DO	came de commande cam operator control por levas
JS	double commande joystick joystick
1P	commande pneumatique pneumatic operator accionamiento neumático
HO	commande hydraulique hydraulic operator accionamiento hidraulico
MSW	microrupteur microswitch microinterruptor
CO	centre a suivre power beyond (carry over) retorno a presión (carry over)

BF700 da 1 a 5 leve

BF700 from 1 to 5 levers

Caratteristiche generali / Technical characteristics

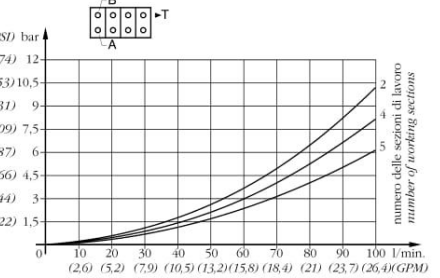
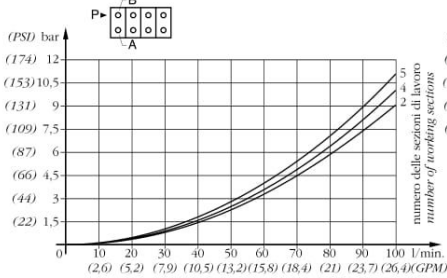
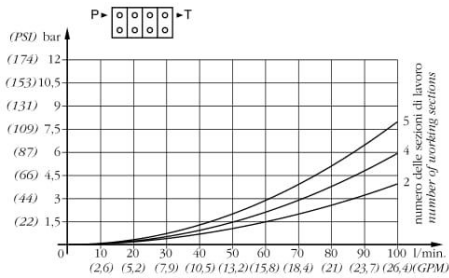
	l/min	GPM
• Portata nominale / Nominal flow	65	17
• Portata limite / Max flow	90	24
	bar	PSI
• Pressione nominale / Nominal pressure	250	3600
• Pressione max sugli utilizzi / Max pressure on ports	320	4700
• Contropressione max allo scarico / Max pressure in tank-line	80	1100



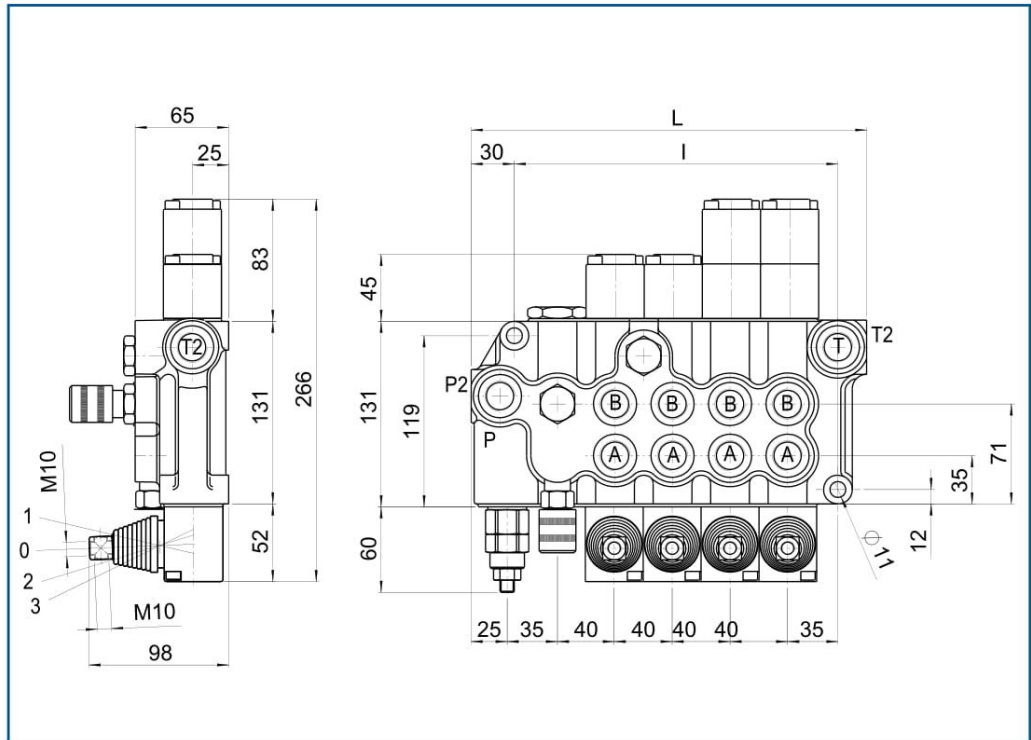
1/T - TEMPERATURA OLIO 50°C - VISCOSITÀ 3,5°E

P/A/B - TEMPERATURA OLIO 50°C - VISCOSITÀ 3,5°E

A/B/T - TEMPERATURA OLIO 50°C - VISCOSITÀ 3,5°E



BF701/...=	n° 1 elemento prioritario n° 1 priority element
BF702/...=	n° 2 elementi prioritari n° 2 priority elements
BF703/...=	n° 3 elementi prioritari n° 3 priority elements
BF704/...=	n° 4 elementi prioritari n° 4 priority elements
BF705/...=	n° 5 elementi prioritari n° 5 priority elements



MOD	L	I	Kg
BF70.../1	157	106	6.6
BF70.../2	197	146	9
BF70.../3	237	186	11.2
BF70.../4	277	226	13.5
BF70.../5	317	266	15.7

FILETTATURA STANDARD - STANDARD THREADS

COD	A-B	P	T	P ₂	T ₂
G	1/2"	1/2"	1/2"	3/4"	3/4"
F	7/8" - 14	7/8" - 14	7/8" - 14	1.1/16" - 12	1.1/16" - 12

◀ Su richiesta filettature diverse
Other threads available on request

