

# DISTRIBUTEURS MONOBLOC MONOBLOCK VALVES - DISTRIBUIDORES MONOBLOQUES

## BM 150

Qn  
140 l/min

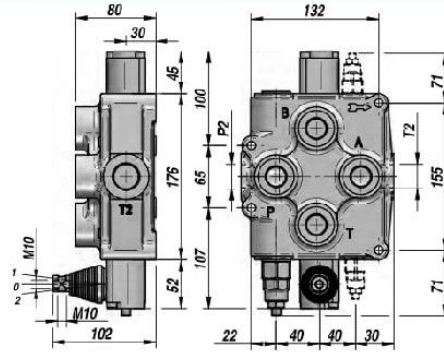
Q max  
180 l/min

## BM 180

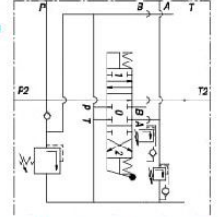
Qn  
170 l/min

Q max  
190 l/min

## DISTRIBUTEUR MONOBLOC MONOBLOCK VALVE DISTRIBUIDOR MONOBLOQUE



SCHEMA AVEC "VLC-AB"  
DIAGRAM WITH "VLC-AB"  
ESQUEMA CON "VLC-AB"



Code Code Código	Type Type Tipo	N° Leviers Sections No. Nr. Palancas	Orifices - Threads - Orificios					PN bar	P MAX U bar	P MAX S bar	L	I	kg
			A-B BSP	P BSP	T BSP	P2 BSP	T2 BSP						
DBM6111001	BM150/1/GU/MO A1	1	3/4"	3/4"	3/4"	1"	1"	250	320	80	160	132	8,20
DBM7111001	BM180/1/GU/MO A1	2	1"	1"	1"	1"	1"	250	320	80	160	132	8,20

PN = Pression nominale - Nominal pressure - Presión nominal  
 P MAX U = Pression maxi sur les orifices - Max. pressure on ports - Presión Max. sobre los orificios  
 P MAX S = Pression maxi sur le retour - Max. pressure in tank-line - Presión Max. al retorno

Limiteur de pression - Relief Valve - Limitador de presión: X = 30:90 bar (70) - U = 80:230 bar (140) (Standard) - K = 150:300 bar (200)

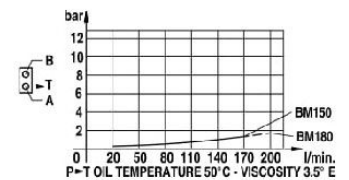
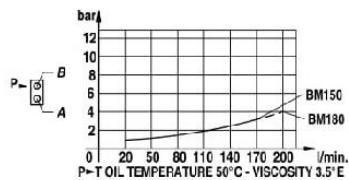
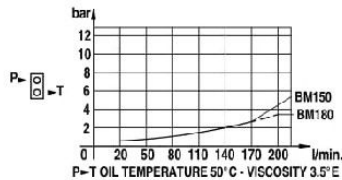
SUR DEMANDE - ON REQUEST - BAJO PEDIDO: VALVES AUXILIAIRES - AUXILIARY VALVES - VALVULAS AUXILIARES

VL = LIMITEUR DE PRESSION - RELIEF VALVE - VALVULA LIMITADORA DE PRESSION

VC = VALVE ANTICAVITATION - ANTICAVITATION VALVE - VALVULA ANTICAVITACION

VLC = LIMITEUR DE PRESSION ET VALVE ANTICAVITATION - RELIEF VALVE AND ANTICAVITATION VALVE - VALVULA LIMITADORA DE PRESSION Y ANTICAVITACION

LES CODES CORRESPONDENT A - THESE CODES AND PRICES REFER TO - LOS CODIGOS SE REFIEREN A LOS MODELOS DE:  
 DOUBLE EFFET - 3 POSITIONS - RAPPEL RESSORT - A/B FERME - ORIFICES BSP - PREDISPOSITION POUR CENTRE A SUIVRE  
 DOUBLE ACTING TYPE - 3 POSITIONS - SPRING RETURN - A/B PORTS CLOSED - BSP THREADS - MACHINED FOR CARRY-OVER  
 DOBLE EFECTO - 3 POSICIONES - RETORNO POR MUELLE - A/B CERRADOS - ROSCAS BSP - PREPARADO PARA RETORNO A PRESION (CARRY-OVER)



TIROIR SPOOL TYPE - CORREDERAS	
A	
B	
C	
D	

POSITIONNEUR SPOOL CONTROL - POSICIONADOR	
1	
2	
3	
6	
7	
8	

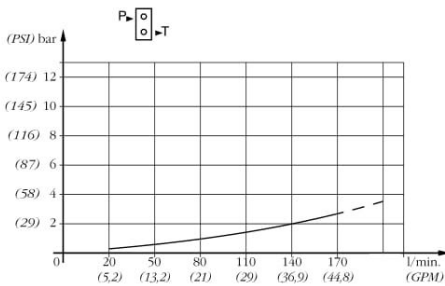
SUR DEMANDE ON REQUEST - BAJO PEDIDO	
MC	commande manuelle + teton manual operator with cam accionamiento manual con leva
DO	came de commande cam operator control por levas
1P	commande pneumatique pneumatic operator accionamiento neumático
HO	commande hydraulique hydraulic operator accionamiento hidraulico
MSW	microrupteur microswitch microinterruptor
CO	centre a suivre power beyond (carry over) retorno a presión (carry over)
CCP	centre fermé closed center plug centro cerrado

**Caratteristiche generali / Technical characteristics**

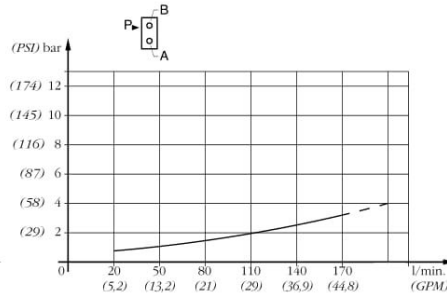
	<b>l/min</b>	<b>GPM</b>
• Portata nominale / Nominal flow	<b>140</b>	<b>37</b>
• Portata limite / Max flow	<b>180</b>	<b>48</b>
	<b>bar</b>	<b>PSI</b>
• Pressione nominale / Nominal pressure	<b>250</b>	<b>3600</b>
• Pressione max sugli utilizzi / Max pressure on ports	<b>320</b>	<b>4700</b>
• Contoppressione max allo scarico / Max pressure in tank-line	<b>80</b>	<b>1100</b>



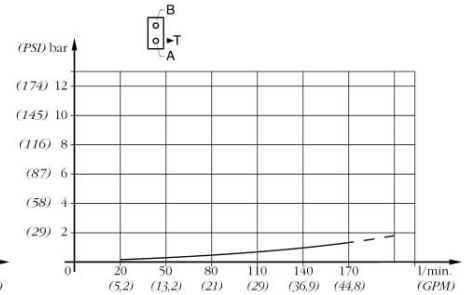
P/T - TEMPERATURA OLIO 50°C - VISCOSITÀ 3,5°E



P/A/B - TEMPERATURA OLIO 50°C - VISCOSITÀ 3,5°E

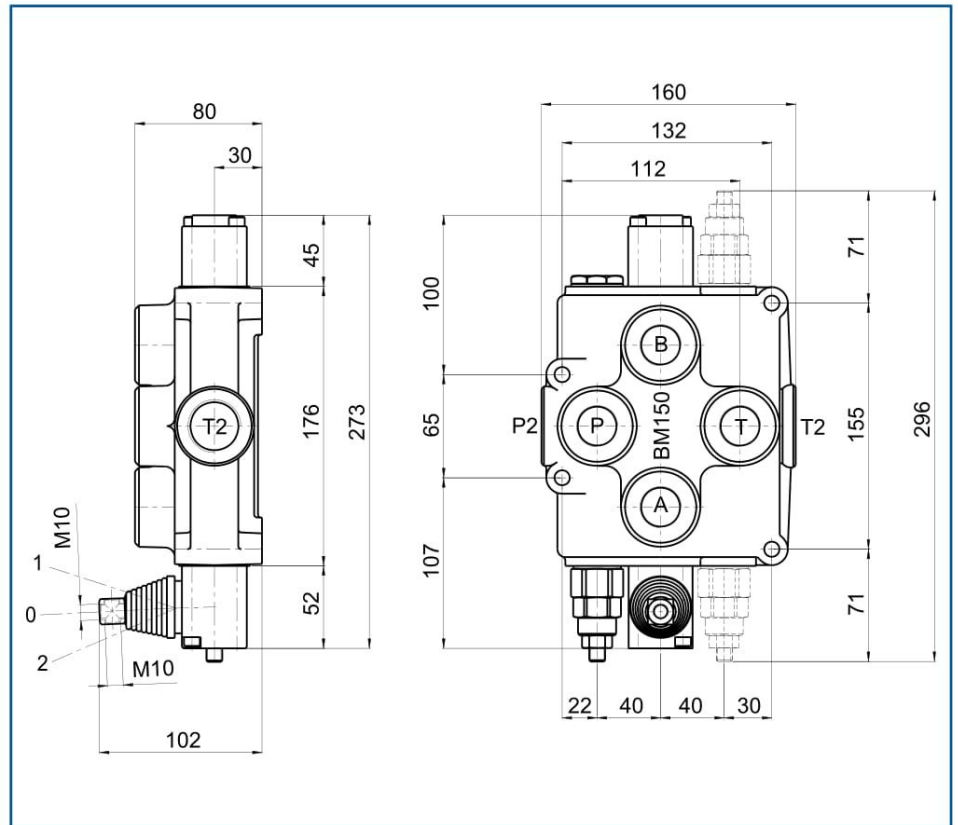
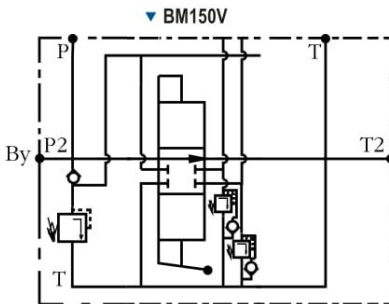


A/B/T - TEMPERATURA OLIO 50°C - VISCOSITÀ 3,5°E



Possibilità di valvole ausiliarie (vedi schema)  
Possibility to have auxiliary valves (see diagram)

VL = limitatrici di pressione
VL = relief valve
VC = anticavitazione
VC = anticavitation valve
VLC = limitatrice e anticavitazione
VLC = combined relief and anticavitation



MOD	L	I	Kg
BM150			8,2

FILETTATURA STANDARD - STANDARD THREADS					
COD	A-B	P	T	P <sub>2</sub>	T <sub>2</sub>
G	3/4"	3/4"	3/4"	1"	1"
F	1.1/16" - 12	1.1/16" - 12	1.1/16" - 12	1.5/16" - 12	1.5/16" - 12

◀ Su richiesta filettature diverse  
Other threads available on request

