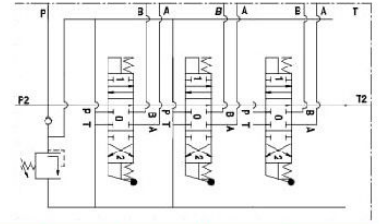
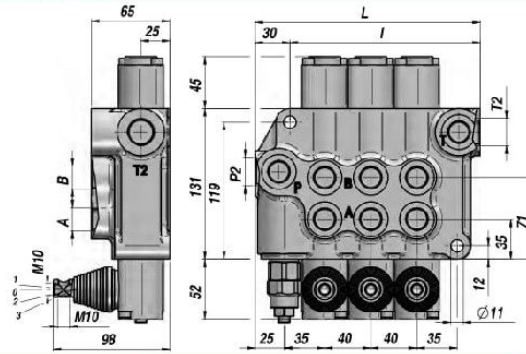


BM 70

Qn
65 l/min

Qmax
90 l/min

DISTRIBUTEUR MONOBLOC
MONOBLOCK VALVE
DISTRIBUIDOR MONOBLOQUE



Code Code Código	Type Type Tipo	N° Leviers Sections No. Nr. Palancas	Orifices - Threads - Orificios					PN bar	P MAX U bar	P MAX S bar	L	I	kg
			A-B BSP	P BSP	T BSP	P2 BSP	T2 BSP						
DBM4111020	BM 70/1/GU/MO A1	1								117	66	4,60	
DBM4211001	BM 70/2/GU/MO A1x2	2								157	106	7,00	
DBM4311001	BM 70/3/GU/MO A1x3	3	1/2"	1/2"	1/2"	3/4"	3/4"	250	320	80	197	146	9,20
DBM4411001	BM 70/4/GU/MO A1x4	4									237	186	11,50
DBM4511001	BM 70/5/GU/MO A1x5	5									277	226	13,70
DBM4611001	BM 70/6/GU/MO A1x6	6									317	266	16,00

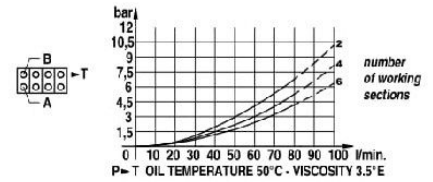
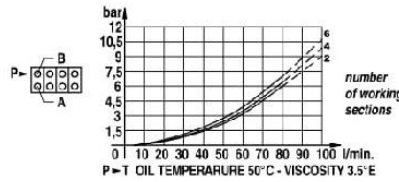
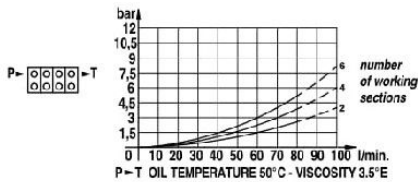
PN = Pression nominale - Nominal pressure - Presión nominal

P MAX U = Pression maxi sur les orifices - Max. pressure on ports - Presión Max. sobre los orificios

P MAX S = Pression maxi sur le retour - Max. pressure in tank-line - Presión Max. al retorno

Limiteur de pression - Relief Valve - Limitador de presión: X = 30:90 bar (70) - U = 80:230 bar (140) (Standard) - K = 150:300 bar (200)

LES CODES CORRESPONDENT A - THESE CODES AND PRICES REFER TO - LOS CODIGOS SE REFIEREN A LOS MODELOS DE:
 DOUBLE EFFET - 3 POSITIONS - RAPPEL RESSORT - A/B FERMEE - ORIFICES BSP - PREDISPOSITION POUR CENTRE A SUIVRE
 DOUBLE ACTING TYPE - 3 POSITIONS - SPRING RETURN - A/B PORTS CLOSED - BSP THREADS - MACHINED FOR CARRY-OVER
 DOBLE EFECTO - 3 POSICIONES - RETORNO POR MUELLE - A/B CERRADOS - ROSCAS BSP - PREPARADO PARA RETORNO A PRESION (CARRY-OVER)



TIROIR SPOOL TYPE - CORREDERAS	
A	
B	
C	
D	
L	
Z	

POSITIONNEUR SPOOL CONTROL - POSICIONADOR	
1	
2	
3	
6	
7	
8	
12	
42	

SUR DEMANDE ON REQUEST - BAJO PEDIDO	
MC	commande manuelle + teton manual operator with cam accionamiento manual con leva
DO	came de commande cam operator control por levas
JS	double commande joystick joystick
1P	commande pneumatique pneumatic operator accionamiento neumático
HO	commande hydraulique hydraulic operator accionamiento hidraulico
MSW	microrupteur microswitch microinterruptor
CO	centre a suivre power beyond (carry over) retorno a presión (carry over)
CCP	centre fermé closed center plug centro cerrado

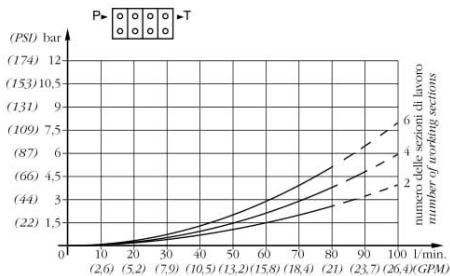
BM70 da 1 a 6 leve

BM70 from 1 to 6 levers

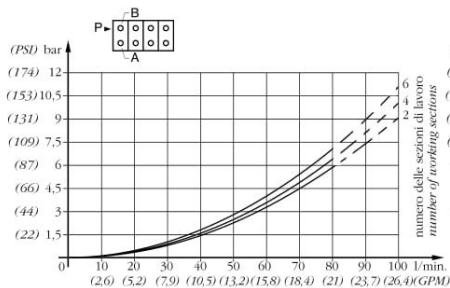
Caratteristiche generali / Technical characteristics		
	l/min	GPM
• Portata nominale / Nominal flow	65	17
• Portata limite / Max flow	90	24
• Portata limite EO / Max flow EO	65	17
	bar	PSI
• Pressione nominale / Nominal pressure	250	3600
• Pressione nominale EO / Nominal pressure EO	160	2320
• Pressione max sugli utilizzi / Max pressure on ports	320	4700
• Contropressione max allo scarico / Max pressure in tank-line	80	1100



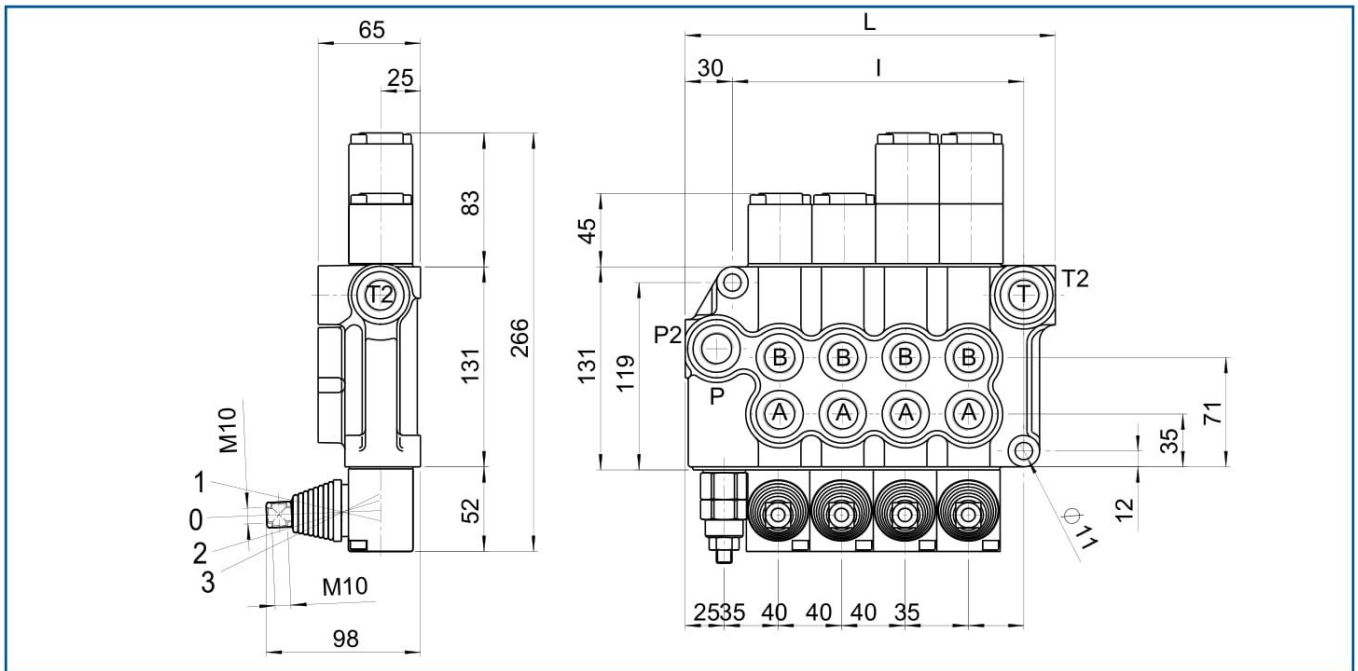
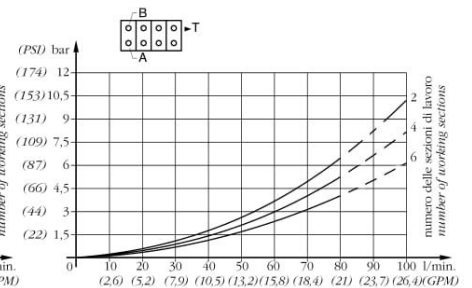
P-T - TEMPERATURA OLIO 50°C - VISCOSITÀ 3,5°E



P-A/B - TEMPERATURA OLIO 50°C - VISCOSITÀ 3,5°E



A/B-T - TEMPERATURA OLIO 50°C - VISCOSITÀ 3,5°E



MOD	L	I	Kg
BM70/1	117	66	4,6
BM70/2	157	106	7
BM70/3	197	146	9,2
BM70/4	237	186	11,5
BM70/5	277	226	13,7
BM70/6	317	266	16

FILETTATURA STANDARD - STANDARD THREADS

COD	A-B	P	T	P ₂	T ₂
G	1/2"	1/2"	1/2"	3/4"	3/4"
F	7/8" - 14	7/8" - 14	7/8" - 14	1.1/16" - 12	1.1/16" - 12

◀ Su richiesta filettature diverse
Other threads available on request

