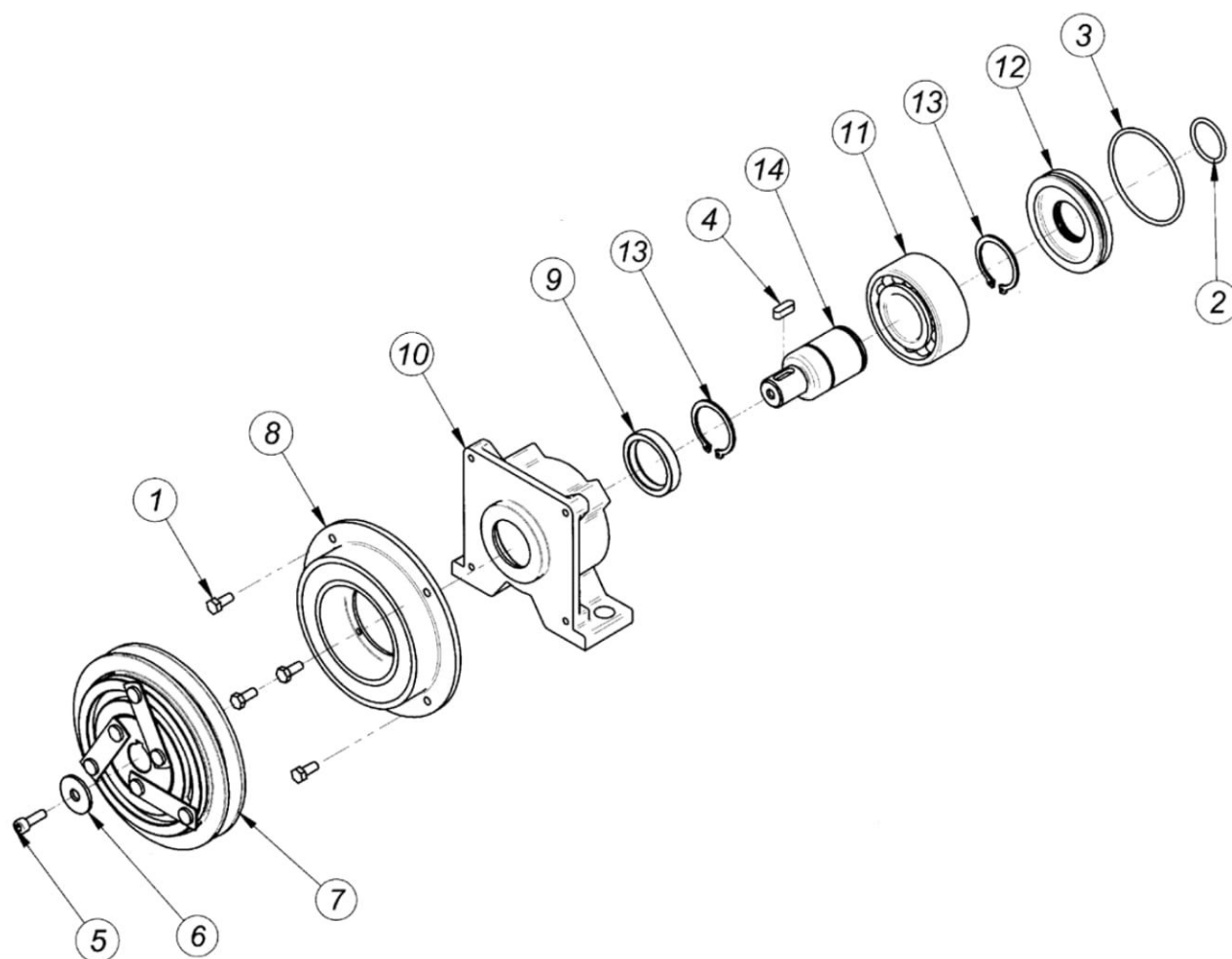


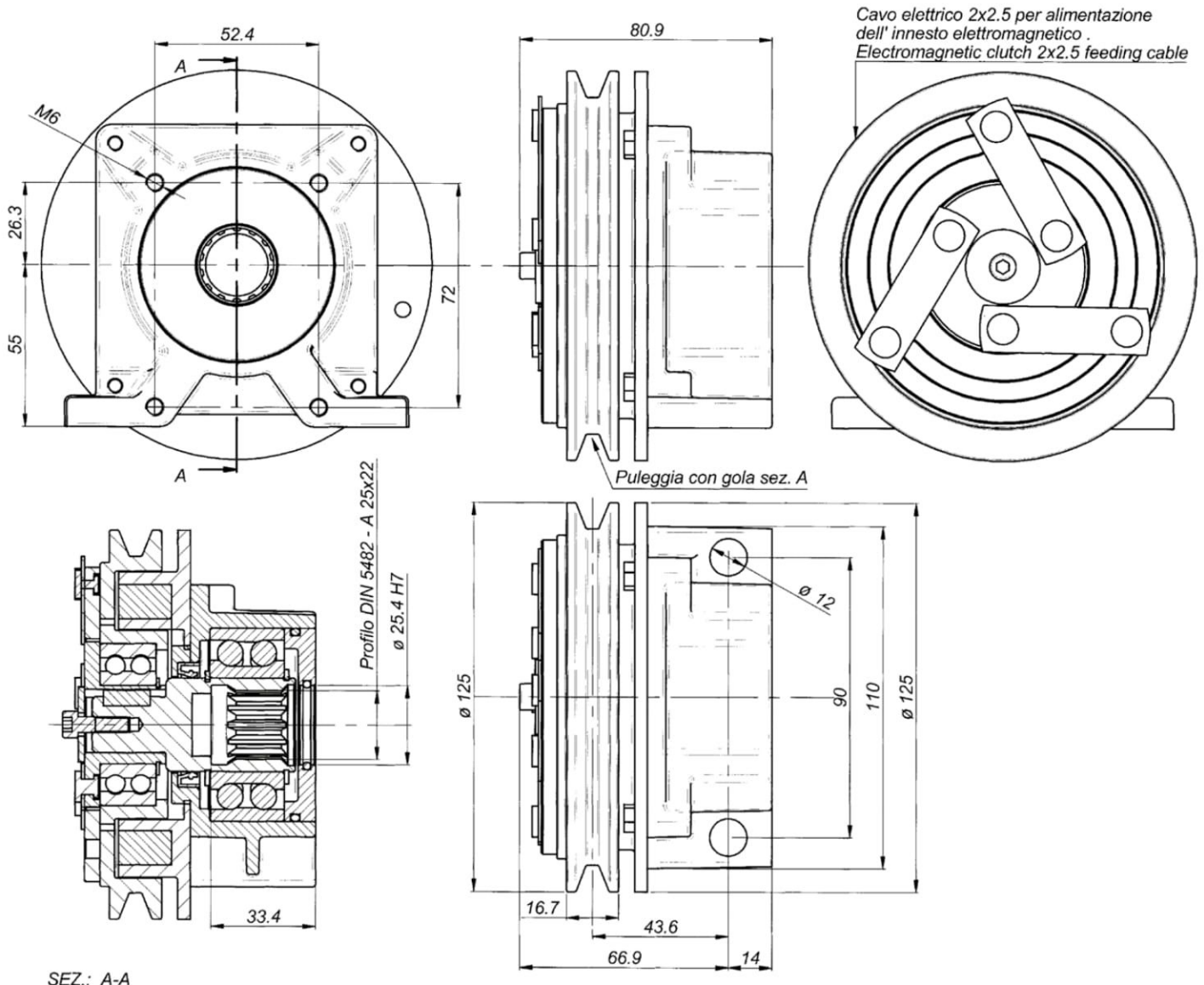
- TAVOLA RICAMBI INNESTO ELETTROMAGNETICO 3daNm
- TABLEAU DES PIECES DETACHEES POUR EMBRAYAGE ELECTROMAGNETIQUE 3 daNm
- SPARE PARTS TABLE FOR ELECTROMAGNETIC COUPLING 3 daNm
- ERSATZTEILLISTE FUR ELEKTROMAGNETISCHE SCHALTKUPPLUNGEN 3daNm



Pos.	CODICE	DENOMINAZIONE	DENOMINATION	DESCRIPTION	BEZEICHNUNG	Q.TA'
1	620512	Vite EN 24017 M5x12	Vis EN 24017 M5x12	Socket EN 24017 M5x12	Befestigungsschraube EN 24017 M5x12	4
2	402100	Anello OR	Bague torique	O-Ring	O-Ring	1
3	403225	Anello OR D.60	Bague torique d.60	O-Ring d.60	O-Ring d.60	1
4	435515	Linguetta UNI 6604 A 5x5x20	Langnette UNI 6604 5x5x20	Woudruff key UNI 6604 5x5x20	Halbrundkeil UNI 6604 5x5x20	1
5	610620	VTCEI UNI 5931 M6x12	Vis TCHC UNI 5931 M6x12	Socket capscrew UNI 5931 M6x12	Befestigungsschraube UNI 5931 M6x12	1
6	RSP246	Rosetta UNI 6593 - 6x24x2	Rondelle UNI 6593 - 6x24x2	Washer UNI 6593 - 6x24x2	Rosette UNI 6593 - 6x24x2	1
7	4003/125BP	Puleggia elettrofrizione	Poulie embrayage électrique	Electric clutch pulley	Elektroschaltkupplungsscheibe	1
8	401203-125B 402403/125B	Bobina	Bobine	Coil	Zundspüle	1
9	303040	Anello di tenuta 30x40x7	Bague d'étancheité 30x40x7	Sealing ring 30x40x7	Dichtring 30x40x7	1
10	30009/3	Scatola	Carcasse	Housing	Gehäuse	1
11	503206	Cuscinetto SKF 3206	Palier SKF 3206	Bearing SKF 3206	Kugellager SKF 3206	1
12	COP-062	Anello	Bague	Ring	Ring	1
13	903000	Anello elastico UNI 7436 - 25	Circlip UNI 7436 - 25	Snap ring UNI 7436 - 25	Seegerring UNI 7436 - 25	2
14	AC30900	Albero	Arbre	Shaft	Welle	1

- **INNESTO ELETTROMAGNETICO 3 daNm**
- **EMBRAYAGE ELECTROMAGNETIQUE 3 daNm**
- **ELECTROMAGNETIC COUPLING 3 daNm**
- **ELEKTROMAGNETISCHE SCHALTKUPPLUNGEN 3 daNm**

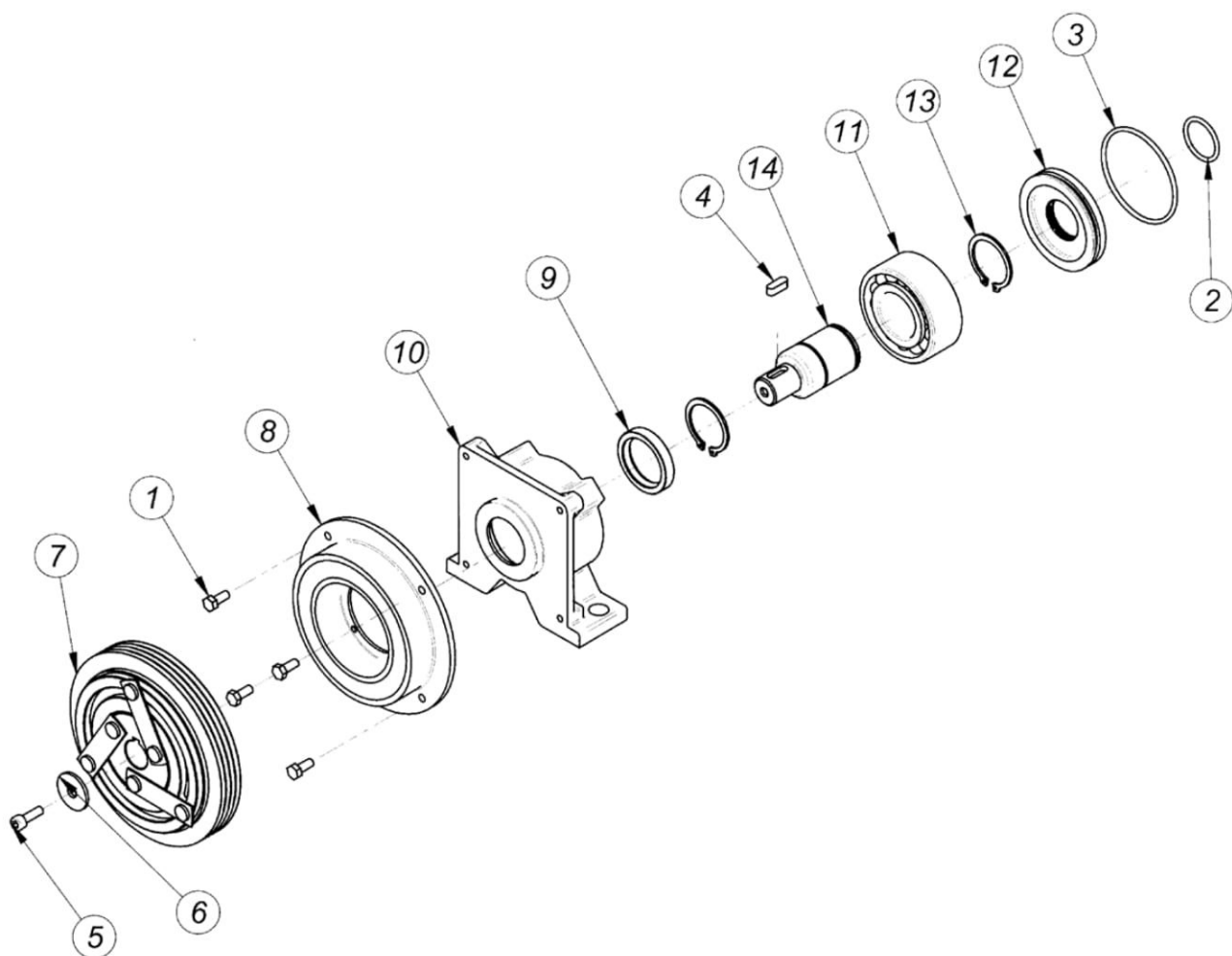
SERIE: 30900-1 12 Volt
SERIE: 30900-2 24 Volt



SEZ.: A-A

Nominal torque	3,0 daNm		Connection time	25 m/sec		
Static torque	4,5 daNm		Disconnection time	40 m/sec		
Dynamic torque	3,2 daNm	at 500 rpm	Minimun time between two connection	20 sec		
	2,8 daNm	at 1000 rpm				
	1,7 daNm	at 1500 rpm				
	1,4 daNm	at 2000 rpm	Max speed	5000 rpm		
	1,2 daNm	at 2500 rpm	Weight	3 Kg		
	0,9 daNm	at 3000 rpm				
Electric absorption	Resistance (W)		Current (A)		Power (W)	
	20° C	120° C	20° C	120° C	20° C	120° C
12 V DC	5,7	7,9	2,1	1,6	25,2	18
24 V DC	21,7	30,7	1,1	0,8	26,5	19
All technical data are at 20°C / at 120° C the performance are less 20% All electromagnetic clutches are reversible.						

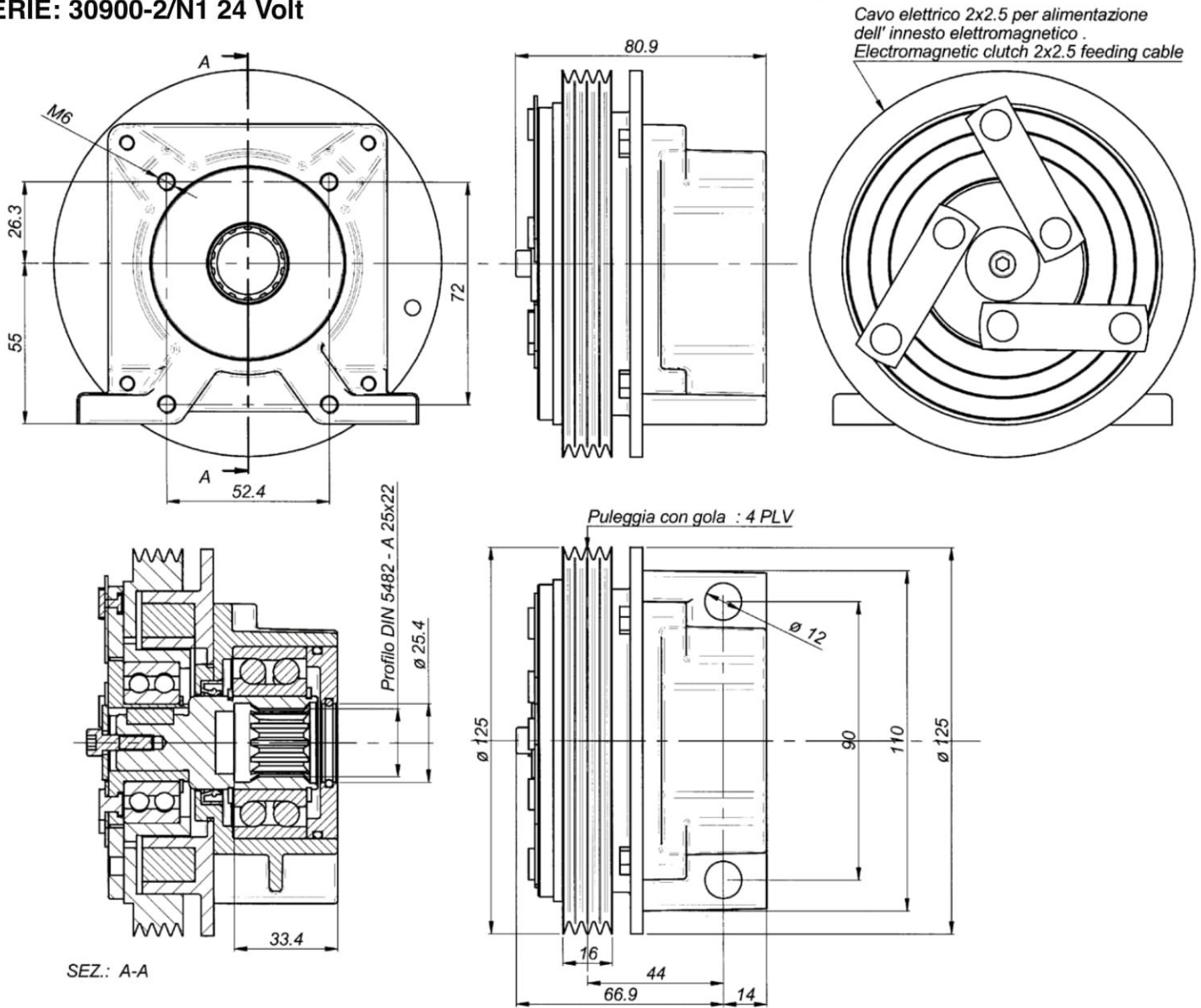
- TAVOLA RICAMBI INNESTO ELETTRIMAGNETICO 3daNm
- TABLEAU DES PIECES DETACHEES POUR EMBRAYAGE ELECTROMAGNETIQUE 3 daNm
- SPARE PARTS TABLE FOR ELECTROMAGNETIC COUPLING 3 daNm
- ERSATZTEILLISTE FUR ELEKTROMAGNETISCHE SCHALT Kupplungen 3daNm



Pos.	CODICE	DENOMINAZIONE	DENOMINATION	DESCRIPTION	BEZEICHNUNG	Q.TA'
1	620512	Vite EN 24017 M5x12	Vis EN 24017 M5x12	Socket EN 24017 M5x12	Befestigungsschraube EN 24017 M5x12	4
2	402100	Anello OR	Bague torique	O-Ring	O-Ring	1
3	403225	Anello OR D.60	Bague torique d.60	O-Ring d.60	O-Ring d.60	1
4	435515	Linguetta UNI 6604 A 5x5x20	Languette UNI 6604 5x5x20	Woudruff key UNI 6604 5x5x20	Halbrundkeil UNI 6604 5x5x20	1
5	610620	VTCEI UNI 5931 M6x12	Vis TCHC UNI 5931 M6x12	Socket cap screw UNI 5931 M6x12	Befestigungsschraube UNI 5931 M6x12	1
6	RSP246	Rosetta UNI 6593 - 6x24x2	Rondelle UNI 6593 - 6x24x2	Washer UNI 6593 - 6x24x2	Rosette UNI 6593 - 6x24x2	1
7	4003/125PLVP	PULEGGIA CINGHIE POLI "V" ELETTROFRIZIONE	POULIE "V" Electro-embayage	PULLEY "V" Electric clutch	RIEMENSCHIEBE "V" Elektroschaltkupplung	1
8	401203/125B 402403/125B	Bobina	Bobine	Coil	Zundspule	1
9	303040	Anello di tenuta 30x40x7	Bague d'etancheite 30x40x7	Sealing ring 30x40x7	Dichtring 30x40x7	1
10	30009/3	Scatola	Carcasse	Housing	Gehause	1
11	503206	Cuscinetto SKF 3206	Palier SKF 3206	Bearing SKF 3206	Kugellager SKF 3206	1
12	COP-062	Anello	Bague	Ring	Ring	1
13	903000	Anello elastico UNI 7436 - 25	Circlip UNI 7436 - 25	Snap ring UNI 7436 - 25	Seegerring UNI 7436 - 25	2
14	AC30900	Albero	Arbre	Shaft	Welle	1

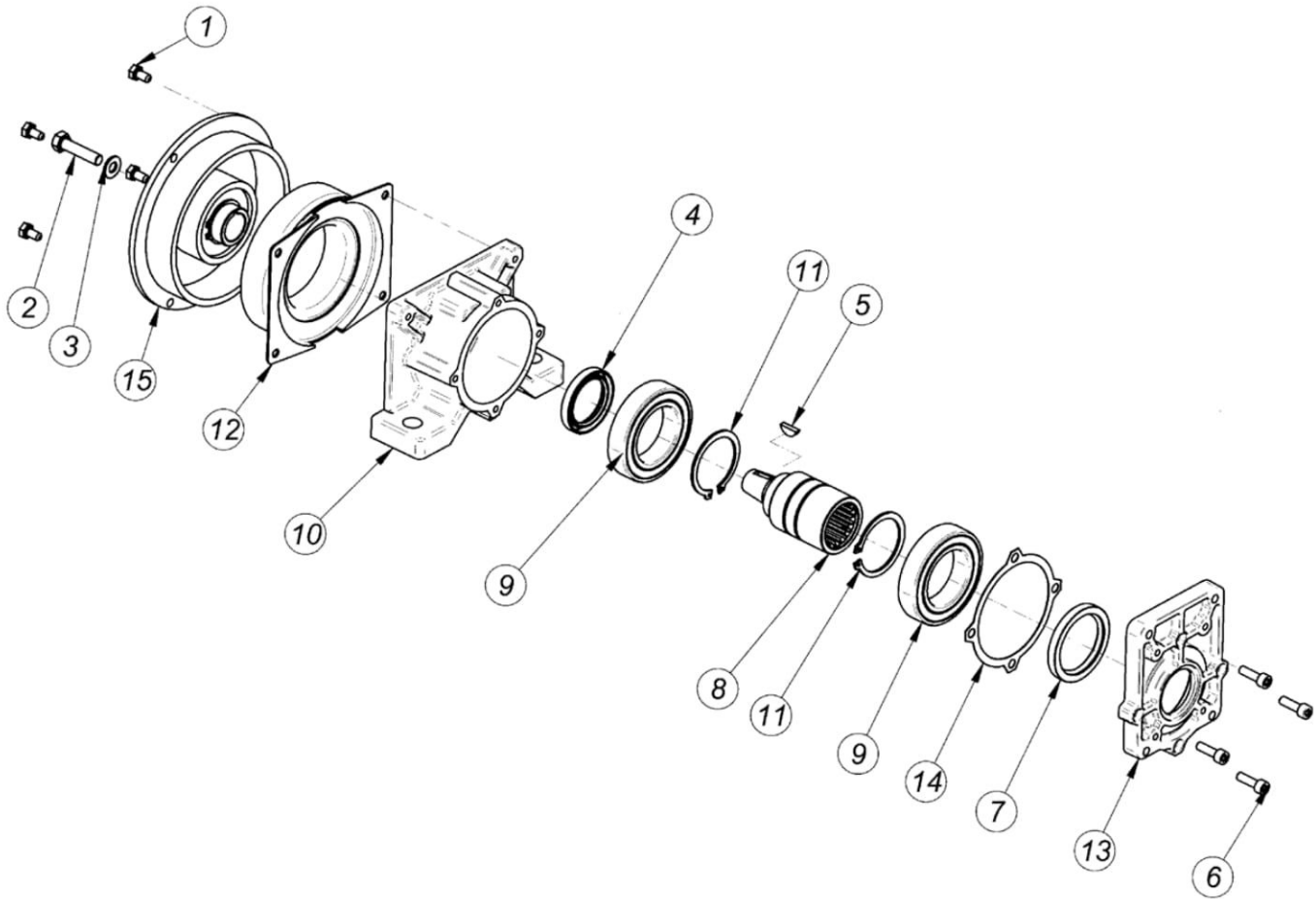
- INNESTO ELETTROMAGNETICO 3 daNm
- EMBRAYAGE ELECTROMAGNETIQUE 3 daNm
- ELECTROMAGNETIC COUPLING 3 daNm
- ELEKTROMAGNETISCHE SCHALTKUPPLUNGEN 3 daNm

SERIE: 30900-1/N1 12 Volt
 SERIE: 30900-2/N1 24 Volt



Nominal torque	3,0 daNm		Connection time	25 m/sec		
Static torque	4,5 daNm		Disconnection time	40 m/sec		
Dynamic torque	3,2 daNm	at 500 rpm	Minimum time between two connection	20 sec		
	2,8 daNm	at 1000 rpm				
	1,7 daNm	at 1500 rpm				
	1,4 daNm	at 2000 rpm				
	1,2 daNm	at 2500 rpm	Max speed	5000 rpm		
	0,9 daNm	at 3000 rpm	Weight	3 Kg		
Electric absorption	Resistance (W)		Current (A)		Power (W)	
	20° C	120° C	20° C	120° C	20° C	120° C
	12 V DC	5,7	7,9	2,1	1,6	25,2
24 V DC	21,7	30,7	1,1	0,8	26,5	19
All technical data are at 20°C / at 120° C the performance are less 20%						
All electromagneteic clutches are reversible.						

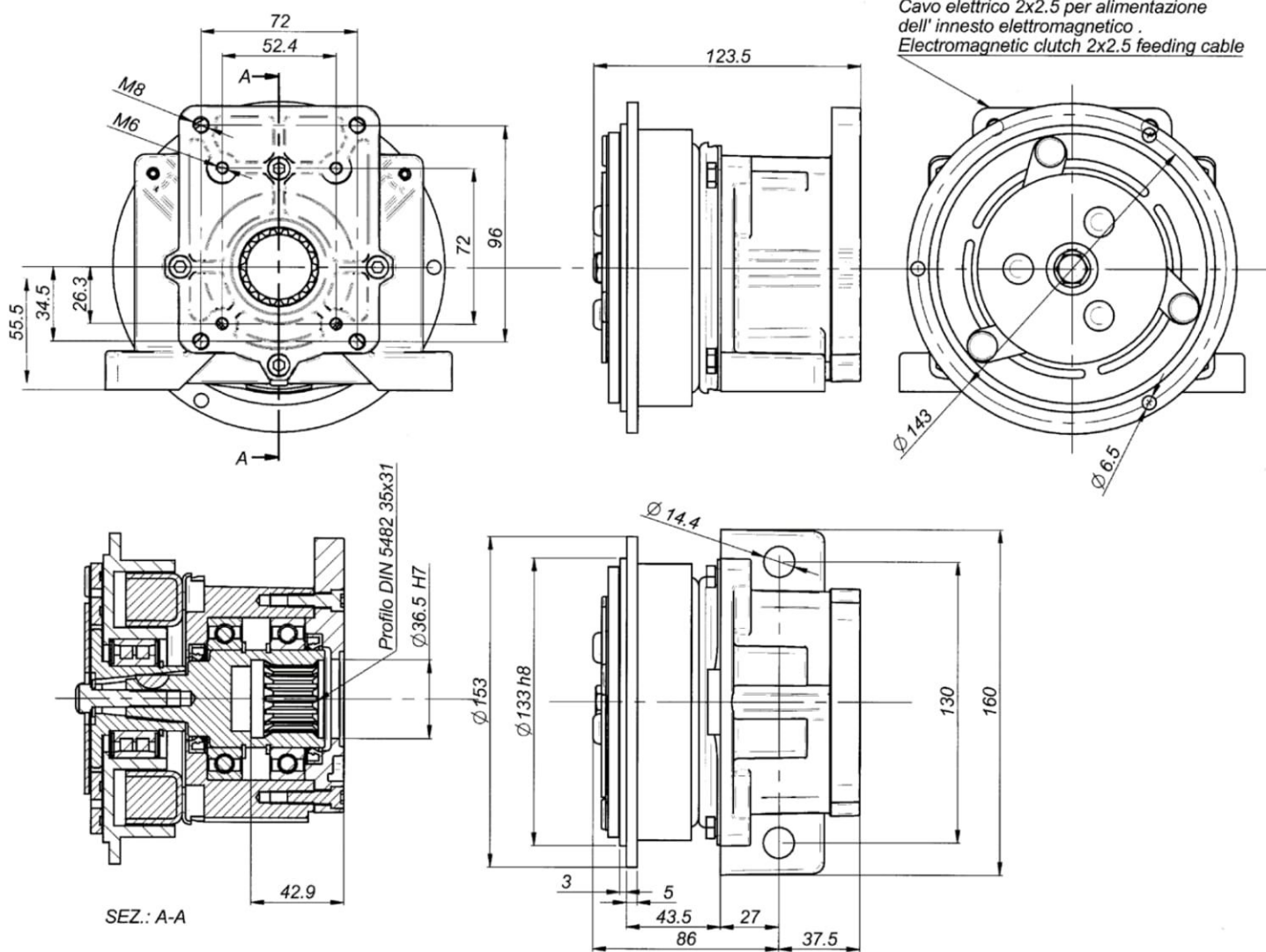
- TAVOLA RICAMBI INNESTO ELETTROMAGNETICO TIPO FRONTALE 10daNm
- TABLEAU DES PIÈCES DÉTACHÉES POUR EMBRAYAGE ELECTROMAGNETIQUE FRONTAL TYPE 10 daNm
- SPARE PARTS TABLE FOR ELECTROMAGNETIC COUPLING FRONTAL 10 daNm
- ERSATZTEILLISTE FÜR ELEKTROMAGNETISCHE SCHALTKUPPLUNGEN 3daNm



Pos.	CODICE	DENOMINAZIONE	DENOMINATION	DESCRIPTION	BEZEICHNUNG	Q.TA'
1	611428	Vite EN 24017 M6x12	Vis EN24017 M6x12	Soket EN 24017 M6x12	Befestigungsschraube EN 24017 M6x12	4
2	610516	Vite EN 24017 M8x35	Vis EN 24017 M8x35	Socket EN 24017 M8x35	Befestigungsschraube EN 24017 M8x35	1
3	RSPAL8	Rosetta per M8	Rondelle D.8	Washer d.8	Rosette durchm 8	1
4	303550	Anello di tenuta 35x50x7	Bague d'etancheite 35x50x7	Sealing ring 35x50x7	Dichtring 35x50x7	1
5	700465	Linguetta UNI 6606 4x6.5	Languette UNI 6606 4x6.5	Woodruff key UNI 6606 4x6.5	Halbrundkeil UNI 6606 4x6.5	1
6	610620	Vite T.C.E.I M6x20	Vis T.C.H.C. M6x20	Socket capscrew M6x20	Befestigungsschraube UNI 5931 M6x20	4
7	304560	Anello di tenuta 45x60x7	Bague d'etancheite 45x60x7	Sealing ring 45x60x7	Dichtring 45x60x7	1
8	A30901	Albero	Arbre	Shaft	Welle	1
9	506009/2Z	Cuscinetto 6009 2rs	Palier SKF 6009 2RS	Bearing SKF 6009 2RS	Kugellager SKF 6009-2RS	2
10	30009.1	Scatola	Carcasse	Housing	Gehäuse	1
11	904500	Anello elastico d.45	Circlip d.45	Snap ring d.45	Seegerring d.45	2
12	401210/FRB 402410/FRB	Bobina	Bobine	Coil	Zundspüle	1
13	30900.1	Flangia per pompe Gr 1 - 2	Flasque puor pompes Gr 1 - 2	Flange for pumps Gr 1 - 2	Flansch fur pumpe Gr 1 - 2	1
14	30009.1.1	Guarnizione	Joint	Gasket	Dichtung	1
15	4010/FRBP	Elettrofrizione frontale	Electro-embayage frontal	Electric clutch	Elektroschaltkpllung strirnbauweise	1

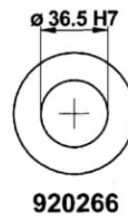
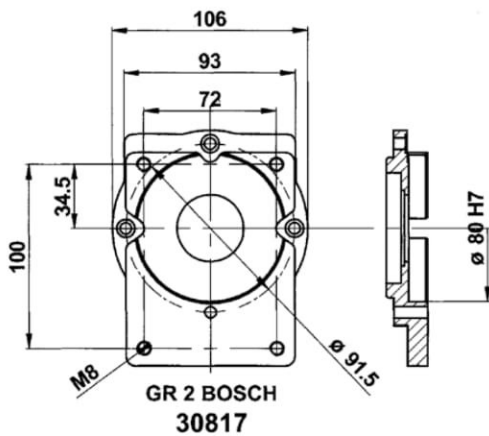
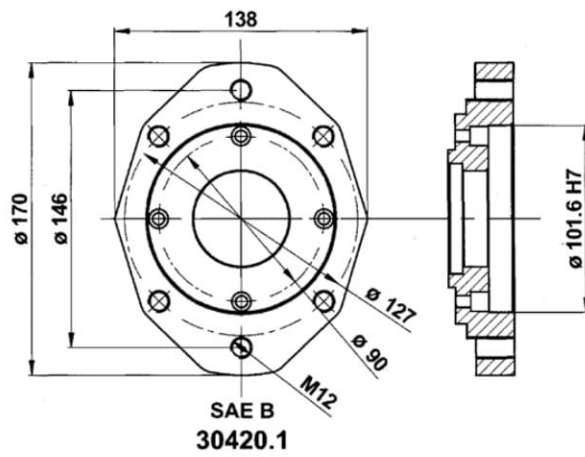
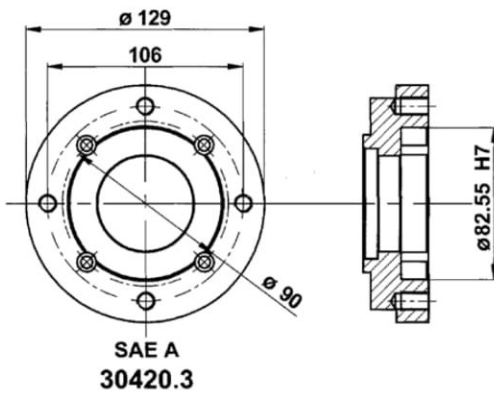
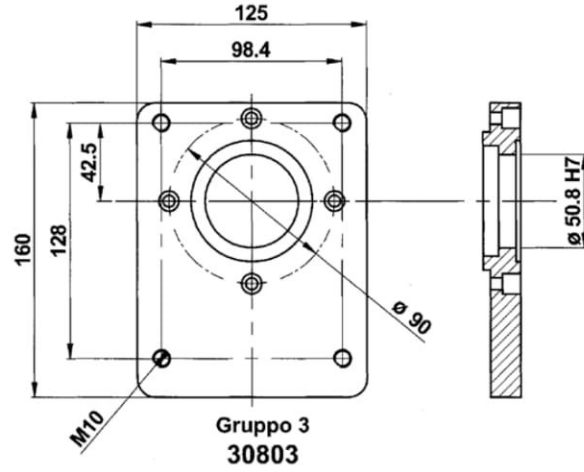
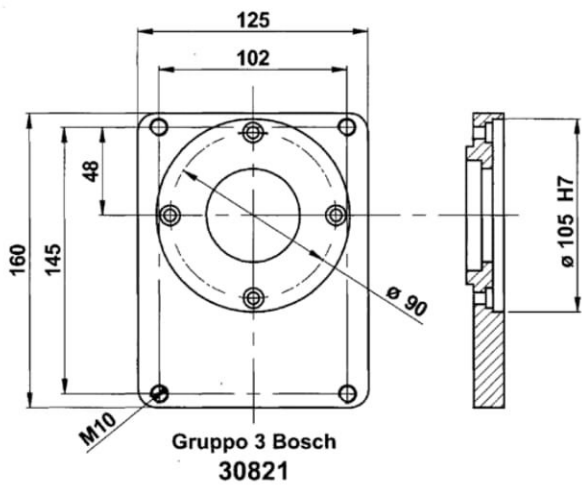
- INNESTO ELETTROMAGNETICO TIPO FRONTALE 10 daNm
- EMBRAYAGE ELECTROMAGNETIQUE FRONTAL TYPE 10 daNm
- ELECTROMAGNETIC COUPLING FRONTAL TYPE 10 daNm
- ELEKTROMAGNETISCHE SCHALKUPPLUNGEN 10 daNm

SERIE: 30933 12 Volt
 SERIE: 30934 24 Volt



Nominal torque	7,8 daNm		Connection time	25 m/sec		
Static torque	12,5 daNm		Disconnection time	40 m/sec		
Dynamic torque	8,5 daNm	at 500 rpm	Minimum time between two connection	20 sec		
	7,0 daNm	at 1000 rpm				
	4,2 daNm	at 1500 rpm				
	3,5 daNm	at 2000 rpm	Max speed	5000 rpm		
	2,7 daNm	at 2500 rpm	Weight	5 Kg		
	2,5 daNm	at 3000 rpm				
Electric absorption	Resistance (Ω)		Current (A)		Power (W)	
	20° C	120° C	20° C	120° C	20° C	120° C
12 V DC	4,00	5,60	3,33	2,00	40,00	24,00
24 V DC	20,00	28,00	1,26	0,77	30,30	18,18
All technical data are at 20°C / at 120 °C the performance are less 20%						
All electromagneteic clutches are reversible.						

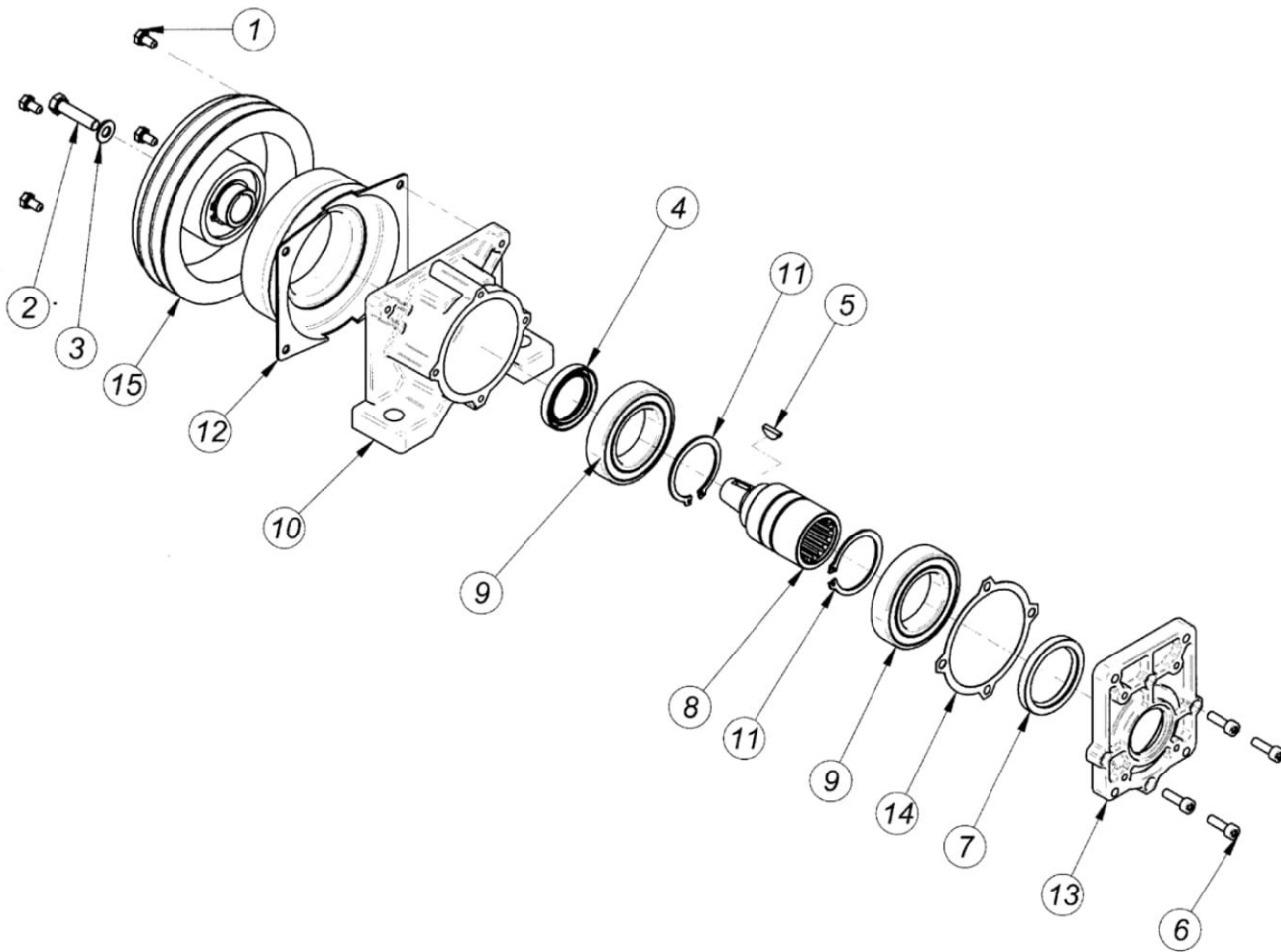
- FLANGE PER INNESTI ELETTROMAGNETICI 10 daNm
- BRIDE POUR EMBRAYAGES ELECTROMAGNETIQUE 10 daNm
- FLANGES FOR ELECTROMAGNETIC COUPLING 10 daNm
- FLANSCHEN FÜR ELEKTROMAGNETISCHE SCHALTKUPPLUNGEN 10 daNm



CODICE, CODE, CODE No., CODENUMMER

Electric absorption	FLANGIA: TIPO, BRIDE: TYPE, FLANGE: TYPE, FLANSCHTYPE				
	Gr.2 BOSCH	Gr.3	Gr. 3 BOSCH	SAE A	SAE B
12 Volt	30933/2B	30935	30933/3B	30933/SA	30933/SB
24 Volt	30934/2B	30936	30934/3B	30934/SA	30934/SB

• TAVOLA RICAMBI INNESTO ELETTRIMAGNETICO 10daNm
 • TABLEAU DES PIECES DETACHEES POUR EMBRAYAGE ELECTROMAGNETIQUE 10daNm
 • SPARE PARTS TABLE FOR ELECTROMAGNETIC COUPLING 10daNm
 • ERSATZTEILLISTE FUR ELEKTROMAGNETISCHE SCHALTKUPPLUNGEN 10daNm



Pos.	CODICE	DENOMINAZIONE	DENOMINATION	DESCRIPTION	BEZEICHNUNG	Q.TA'
1	611428	Vite EN 24017 M6x12	Vis EN24017 M6x12	Soket EN 24017 M6x12	Befestigungsschraube EN 24017 M6x12	4
2	610516	Vite EN 24017 M8x35	Vis EN 24017 M8x35	Socket EN 24017 M8x35	Befestigungsschraube EN 24017 M8x35	1
3	RSPAL8	Rosetta per M8	Rondelle D.8	Washer d.8	Rosette durchm 8	1
4	303550	Anello di tenuta 35x50x7	Bague d'etancheite 35x50x7	Sealing ring 35x50x7	Dichtring 35x50x7	1
5	700465	Linguetta UNI 6606 4x6.5	Languette UNI 6606 4x6.5	Woodruff key UNI 6606 4x6.5	Halbrundkeil UNI 6606 4x6.5	1
6	610620	Vite T.C.E.I M6x20	Vis T.C.H.C. M6x20	Socket capscrew M6x20	Befestigungsschraube UNI 5931 M6x20	4
7	304560	Anello di tenuta 45x60x7	Bague d'etancheite 45x60x7	Sealing ring 45x60x7	Dichtring 45x60x7	1
8	A30901	Albero	Arbre	Shaft	Welle	1
9	506009/2Z	Cuscinetto 6009 2rs	Palier SKF 6009 2RS	Bearing SKF 6009 2RS	Kugellager SKF 6009-2RS	2
10	30009.1	Scatola	Carcasse	Housing	Gehäuse	1
11	904500	Anello elastico d.45	Circlip d.45	Snap ring d.45	Seegerring d.45	2
12	401210/153 402410/153	Bobina	Bobine	Coil	Zundspüle	1
13	30900.1	Flangia per pompe Gr 1 - 2	Flasque puor pompes Gr 1 - 2	Flange for pumps Gr 1 - 2	Flansch fur pompe Gr 1- 2	1
14	30009.1.1	Guarnizione	Joint	Gasket	Dichtung	1
15	4010/153P	Elettrofrizione	Electro-embayage	Electric clutch	Elektroschaltkplplung	1