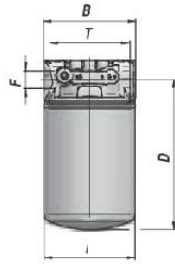


FACA

FILTRE ASPIRATION EN LIGNE "SPIN-ON"
IN-LINE SUCTION "SPIN-ON" FILTER
FILTRO DE ASPIRACION EN LINEA "SPIN-ON"



CA

CARTOUCHE
ELEMENT
CARTUCHO



Code Code Código	Type Type Tipo	l/min	F BSP	Micron	B	D	E	T	kg
AFACA06010	FACA 60/1-P	20	3/4"	10	95	172	96	75	1,00
AFACA06030	FACA 60/3-P	25	"	30	"	"	"	"	1,00
AFACA06060	FACA 60/6-P	30	"	60	"	"	"	"	1,00
AFACA08010	FACA 80/1-P	25	"	10	95	232	96	75	1,10
AFACA08030	FACA 80/3-P	30	"	30	"	"	"	"	1,10
AFACA08060	FACA 80/6-P	35	"	60	"	"	"	"	1,10
AFACA16010	FACA 160/1-P	70	1"1/4	10	132	215	126	112	2,00
AFACA16030	FACA 160/3-P	80	"	30	"	"	"	"	2,00
AFACA16060	FACA 160/6-P	80	"	60	"	"	"	"	2,00
AFACA20010	FACA 200/1-P	90	"	10	132	263	126	112	2,00
AFACA20030	FACA 200/3-P	100	"	30	"	"	"	"	2,00
AFACA20060	FACA 200/6-P	100	"	60	"	"	"	"	2,00

Code Code Código	Type Type Tipo	ØP	Q	kg
AFCA006010	CA 60/1	96	146	0,60
AFCA006030	CA 60/3	"	"	0,60
AFCA006060	CA 60/6	"	"	0,85
AFCA008010	CA 80/1	96	209	0,70
AFCA008030	CA 80/3	"	"	0,70
AFCA008060	CA 80/6	"	"	0,95
AFCA016010	CA 160/1	128	181	1,15
AFCA016030	CA 160/3	"	"	1,15
AFCA016060	CA 160/6	"	"	1,30
AFCA020010	CA 200/1	128	226	1,42
AFCA020030	CA 200/3	"	"	1,42
AFCA020060	CA 200/6	"	"	1,58

SUCTION AND RETURN IN LINE FILTERS SERIES HF 620 - HF 625

Replaces: HF 620 01 T E

The filters HF 620 series are specifically designed to be connected on the suction or in the return line of the hydraulic circuit and provide versatility to safeguard the circuit components from contaminating particles. The filters HF 625 series are suitable for working pressure up to 25 bar.

ADJUSTABLE SETTING BY-PASS VALVE

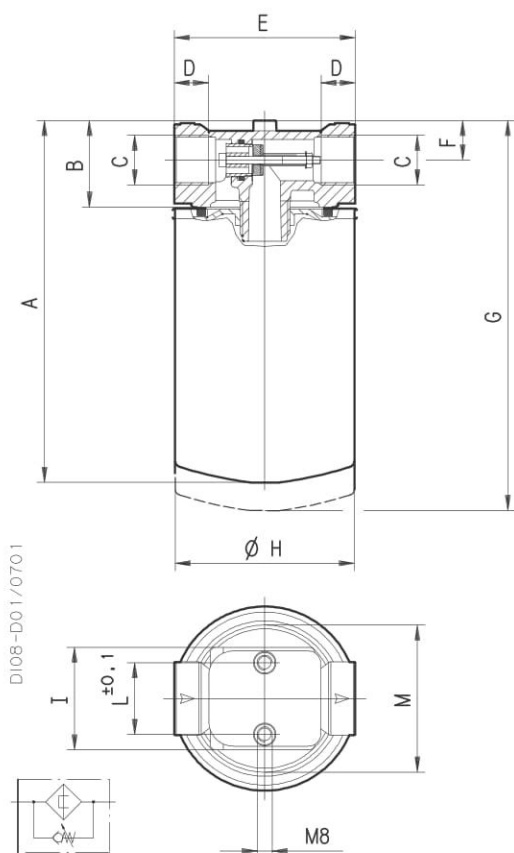
DIFFERENTIAL CONTROL OF THE CLOGGING VALUES

COMPLETE FILTER		
MATERIALS	Head	Aluminum
	Bowl	Steel
	Seals	Buna - Viton
FLUID COMPATIBILITY CONFORMING TO ISO 2943	With riference to ISO 6743/4	With fluid (HH-HL-HM-HR-HV-HG), and water emulsion (HFAE-HFAS) use filters with Buna seals. With water - glycol (HFC) ask for anodizing treatment.
		With synthetic fluid (HS-HFDR-HFDU-HFDS) use filters with Viton seals
FLOW RANGE	min.	20 [l/min]
	max.	400 [l/min]
MAX. WORKING PRESSURE		700 [kPa] 7 bar (HF620) - 2500 [kPa] 25 bar (HF625)
TESTING PRESSURE		1000 [kPa] 10 bar (HF620) - 5000 [kPa] 50 bar (HF625)
BURST PRESSURE		1500 [kPa] 15 bar (HF620) - 7500 [kPa] 75 bar (HF625)
OPERATING TEMPERATURE	With Buna seals	- 30 + 90 [°C]
	With Viton seals	- 20 + 110 [°C]
FILTER ELEMENTS		
MATERIALS	End cap - Inner tube	Zinc plated steel. With water - glycol ask for tin treatment.
	Filter media	Steel
		Cellulose
REMOVAL RATING		Micro-fibre glass Conforming to ISO 16889
ELEMENT COLLAPSE PRESSURE RATING	Conforming to ISO 2941	400 [kPa] 4 bar 1000 [kPa] 10 bar (only for micro-fibre glass or steel wire mesh HE K46 elements)

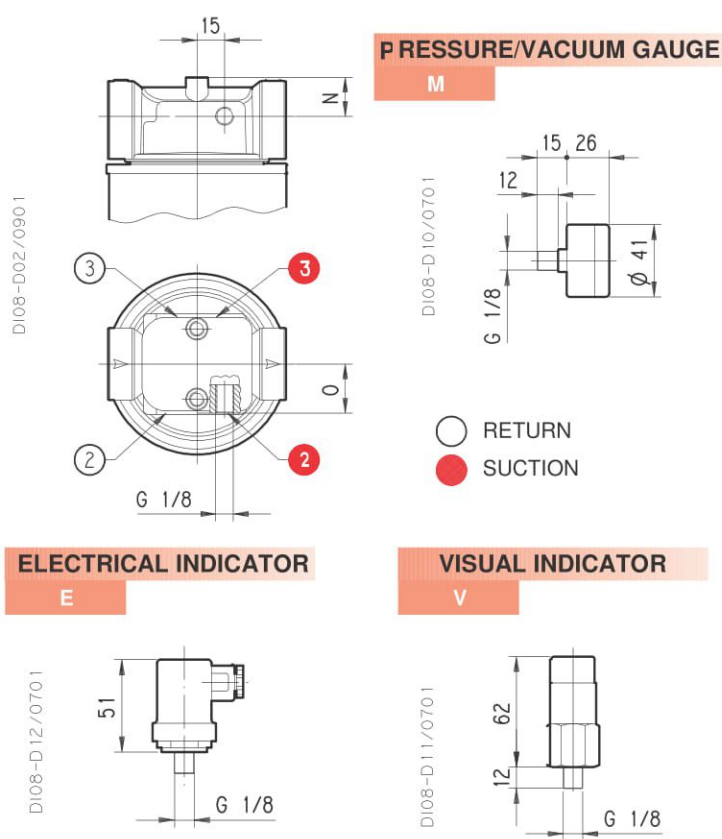
Edition: 02/09.2001

TECHNICAL DATA

STANDARD FILTER

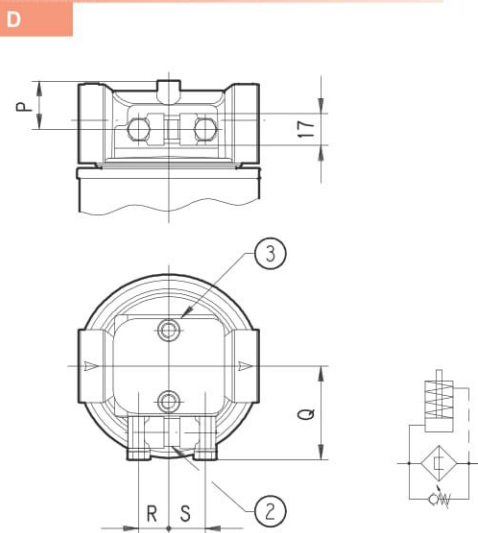


ARRANGEMENT AND INDICATORS



INDICATOR FOR FILTERS MOUNTED ONLY ON RETURN LINE

VISUAL DIFFERENTIAL INDICATOR

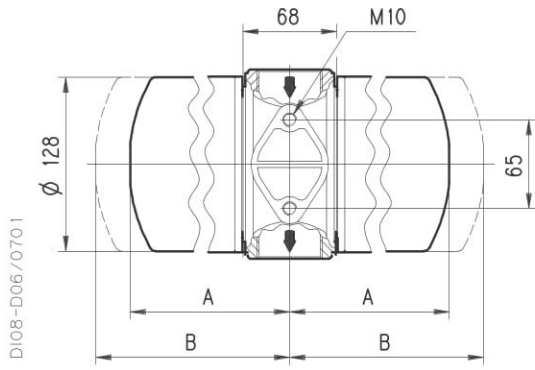


Filter type	A	B	C	D	E	F	G	ØH	I	L	M	N	O	P	Q	R	S
	mm	mm	GAS-BSP	mm	mm	mm	mm	mm	mm	mm	mm	mm	mm	mm	mm	mm	mm
HF 620-20.135	195	46	G 3/4	18	96	21	215	96	54,5	38	78	21	27	26	50	16	19,5
HF 620-20.180	240						260										
HF 620-30.155	248	64	G 1 1/4	22	134	33	273	128	72	50	114	35	36	37	59	15	20,5
HF 620-30.210	292						317										
For working pressure up to 25 bar																	
HF 625-20.135	195	46	G 3/4	18	96	21	215	96	54,5	38	78	21	26,5	26	50	16	19,5
HF 625-20.180	257						277										

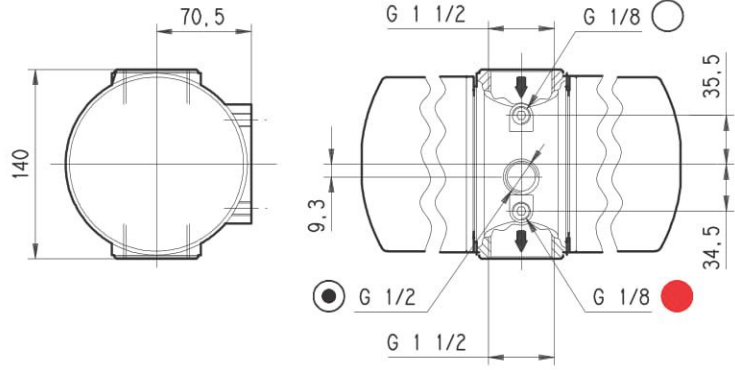
Replaces: 06.98

Di08-002 - 02/09.01

TECHNICAL DATA



D108-D06/070 1

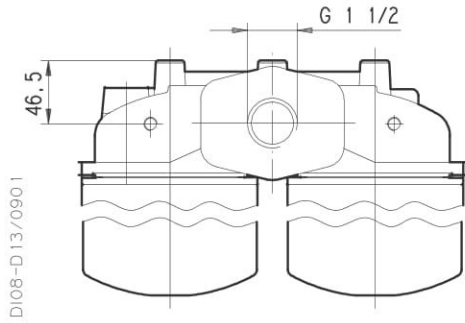


Filter type	A	B
	mm	mm
HF 620-40.155	218	238
HF 620-40.210	262	282

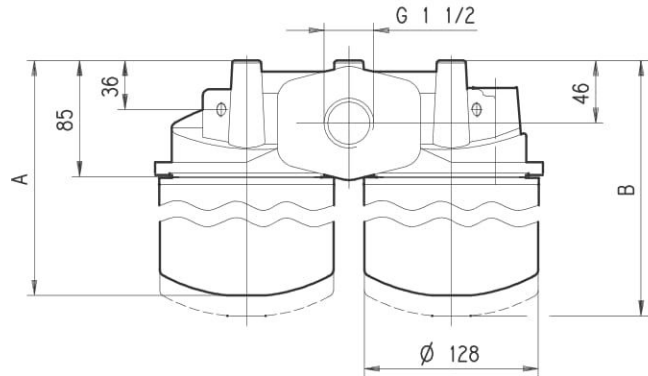
- RETURN
- RETURN
- SUCTION

The standard filter is furnished arranged for the indicators (XC) G 1/8 with plug (DA).

Replaces: 06.98



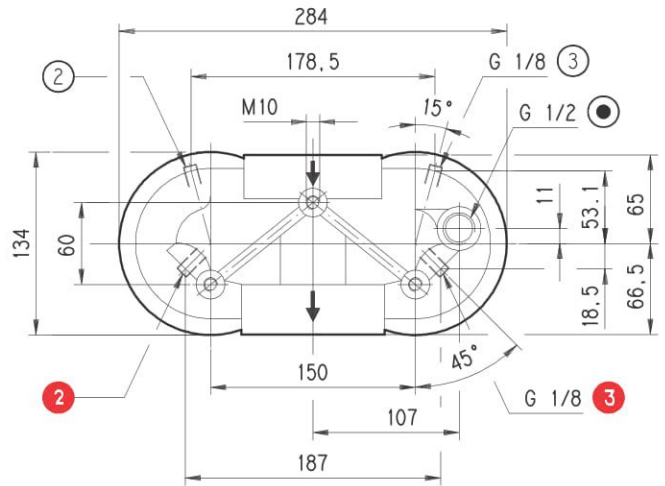
D108-D 13/090 1



- RETURN
- RETURN
- SUCTION

Filter type	A	B
	mm	mm
HF 620-50.155	269	291
HF 620-50.210	313	335

The standard filter is furnished arranged for the indicators (XD) G 1/8 with plug (DA).

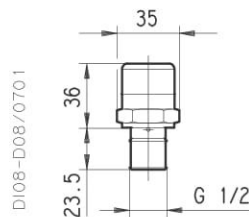


SUCTION LINE		
POSITION	INDICATOR	CODE
	PRESSURE/VAC. GAUGE	M
	VISUAL	V
	ELECTRICAL	E
RETURN LINE		
POSITION	INDICATOR	CODE
	PRESSURE/VAC. GAUGE	M
	VISUAL	V
	ELECTRICAL	E
	VISUAL DIFF. INDICATOR	H
	EL. - VISUAL DIFF. INDIC.	L

See drawing and note on the side page.

VISUAL DIFF. INDICATOR

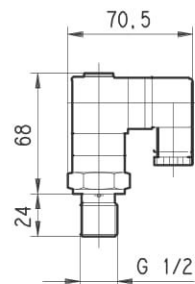
H



D108-D08/070 1

EL. - VISUAL DIFF. INDIC.

L



D108-D09/070 1

D108-002 - 02/09.01

HOW TO ORDER A COMPLETE FILTER

1	2	3	4	5
HF 620-20.135	-	AS	-	MS090
6	7	8	9	
B	-	GA	-	M

1	Filter type	CODE
See tables		HF62...
2	Filtering surface	CODE
Standard		AS
3	Degree of filtration	CODE
10 [m] Micro-fibre glass		FG010
25 [m] Micro-fibre glass		FG025
60 [m] Steel wire mesh		MS060
90 [m] Steel wire mesh		MS090
125 [m] Steel wire mesh		MS125
10 [m] Cellulose		SP010
25 [m] Cellulose		SP025
4	By-pass valve	CODE
Setting 20 [kPa]; 0,2 [bar] (suction only)		B02
Setting 170 [kPa]; 1,7 [bar] (return only)		B17
None		B00
5	Inlet port	CODE
Thread GAS (BSPP)		
G 3/4		GE
G 1 1/4		GG
G 1 1/2		GH

6	Seals	CODE
Buna		B
Viton		V
7	Indicators arrang.	CODE
None		XN
On the head - right		XA
On the head - left		XB
Standard for HF620-40 only		XC
Standard right and left HF620-50 only		XD
8	Dim. Indic. ports	CODE
Thread GAS (BSPP)		
G 1/8		GA
G 1/8 WITH PLUG		DA
G 1/4		GB
G 1/4 WITH PLUG		DB
G 1/2		GD
G 1/2 WITH PLUG		DD
Holes on the wall for ind. D		FP

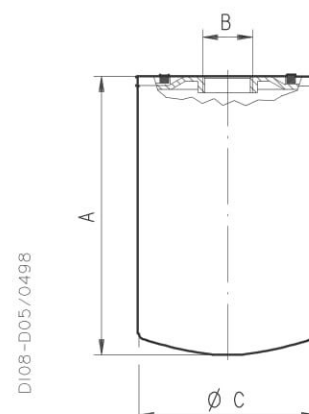
9	Indicators	CODE
None		G
Pressure/vacuum gauge - rear		M
Visual indicator		V
Electrical indicator		E
Visual differential indicator (for HF620-20 - HF620-30 only)		D
Visual differential indicator (for HF620-40 - HF620-50 only)		H
El.-visual differential indicator (for HF620-40 - HF620-50 only)		L

Standard
 On request

Replaces: 06.98

FILTERING ELEMENTS - TECHNICAL DATA

Element type	A	B	Ø C
	mm	GAS - BSPP	mm
HE K45-20.135	148	G 3/4	96
HE K45-20.180	193		
HE K45-30.155	183	G 1 1/4	128
HE K45-30.210	227		
For working pressure up to 25 bar			
HE K46-20.135	148	G 3/4	96
HE K46-20.180	210		



HOW TO ORDER A REPLACEMENT ELEMENT

1	2	3	4
HE K45-20.135	-	AS	-
		MS090	B

1	Element type	CODE
See table		HEK4...
2	Filtering surface	CODE
Standard		AS

3	Degree of filtration	CODE
10 [m] Micro-fibre glass		FG010
25 [m] Micro-fibre glass		FG025
60 [m] Steel wire mesh		MS060
90 [m] Steel wire mesh		MS090
125 [m] Steel wire mesh		MS125
10 [m] Cellulose		SP010
25 [m] Cellulose		SP025

4	Seals	CODE
Buna		B
Viton		V

Standard
 On request

DI08-002 - 02/09.01

IN-LINE MEDIUM PRESSURE FILTERS SERIES HF 650

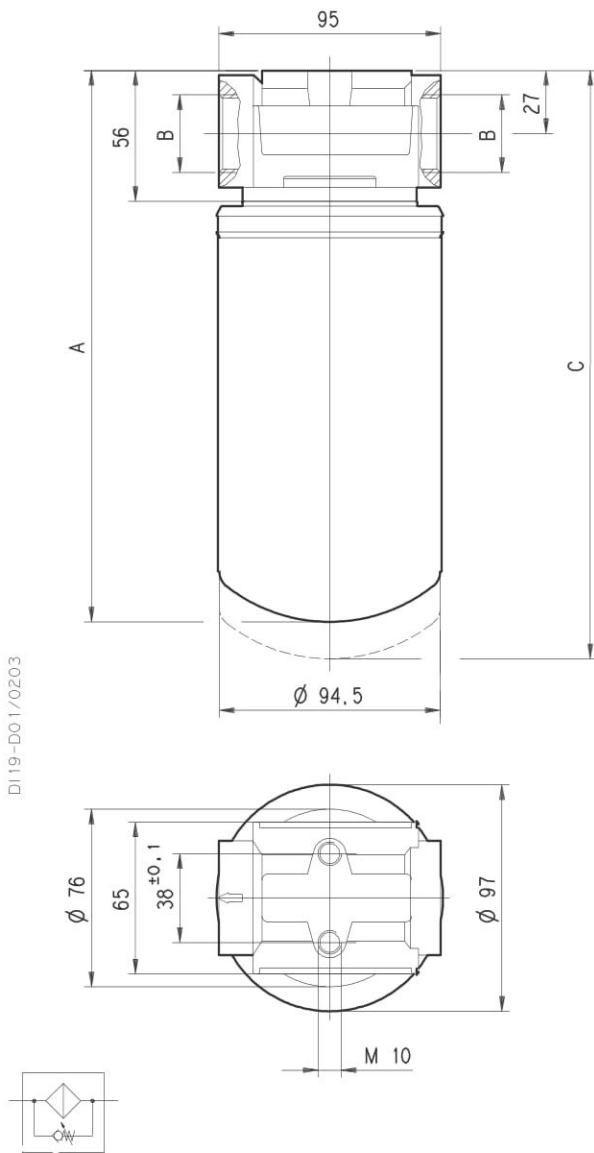
The filters HF 650 series are suitable for working pressure up to 35 bar.

- EASY REPLACEMENT OF FILTERING ELEMENTS
- HIGH FILTRATION PERFORMANCE
- HIGH RESISTANCE FILTERING ELEMENTS

COMPLETE FILTER		
MATERIALS	Head	Aluminum
	Bowl	Steel
	Seals	Buna - Viton
FLUID COMPATIBILITY CONFORMING TO ISO 2943	With riference to ISO 6743/4	With fluid (HH-HL-HM-HR-HV-HG), and water emulsion (HFAE-HFAS) use filters with Buna seals. With water - glycol (HFC) ask for anodizing treatment.
		With synthetic fluid (HS-HFDR-HFDU-HFDS) use filters with Viton seals
FLOW RANGE	min.	50 [l/min]
	max.	140 [l/min]
MAX. WORKING PRESSURE		3500 [kPa] 35 bar
TESTING PRESSURE		7000 [kPa] 70 bar
BURST PRESSURE		10500 [kPa] 105 bar
OPERATING TEMPERATURE	With Buna seals	- 30 + 90 [°C]
	With Viton seals	- 20 + 110 [°C]
FILTER ELEMENTS		
MATERIALS	End cap - Inner tube	Zinc plated steel. With water - glycol ask for tin treatment.
	Filter media	Cellulose Micro-fibre glass
REMOVAL RATING		Conforming to ISO 16889
ELEMENT COLLAPSE PRESSURE RATING	Conforming to ISO 2941	2000 [kPa] 20 bar

TECHNICAL DATA

STANDARD FILTER

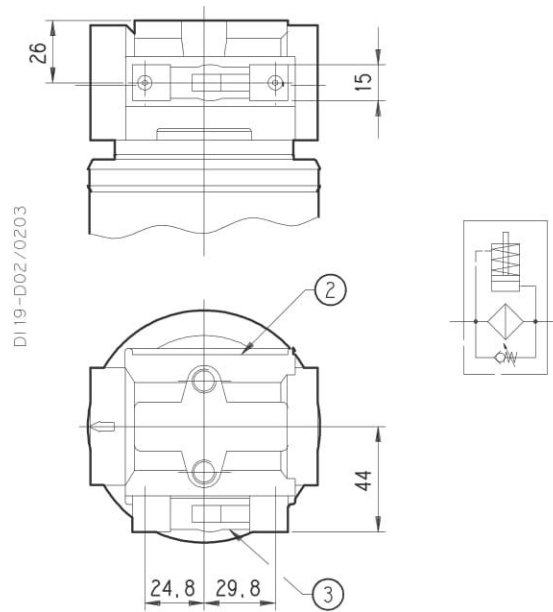


DI19-D01/0203

ARRANGEMENT AND INDICATORS

VISUAL DIFFERENTIAL INDICATOR

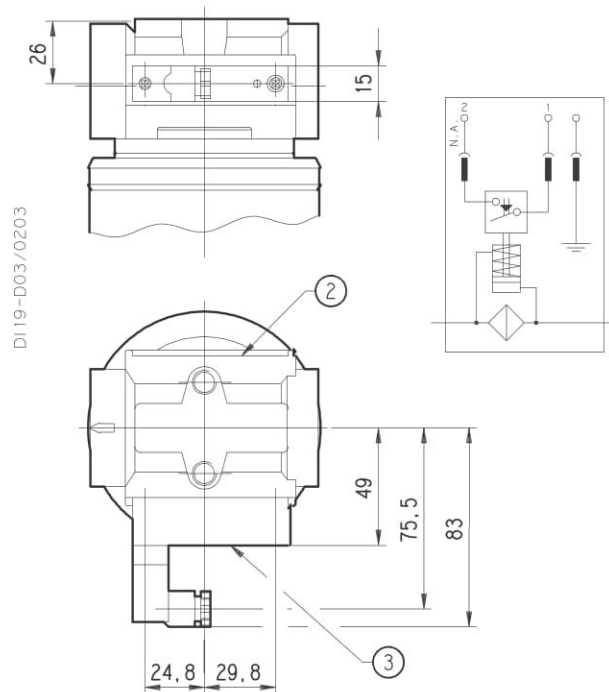
F



DI19-D02/0203

ELECTRICAL DIFF. INDICATOR

Q



DI19-D03/0203

Filter type	A	B (GAS-BSPP)		C
	mm	Standard	On request	mm
HF 650-20.140	208	G 3/4	G 1	233
HF 650-20.180	236	G 3/4	G 1	261
HF 650-20.230	284	G 1	G 3/4	309

DI19-002 - 01/029.03

HOW TO ORDER A COMPLETE FILTER

1	2	3	4	5
HF 650-20.140	- AS	- FG003	- B17	- GE
6	7	8		
B	- XN	- G		

1	Filter type	CODE
	See table page 2	HF650-...
2	Filtering surface	CODE
	Standard	AS
3		CODE
3	m] Micro-fibre glass	FG003
6	m] Micro-fibre glass	FG006
10	m] Micro-fibre glass	FG010
16	m] Micro-fibre glass	FG016
25	m] Micro-fibre glass	FG025
10	[m] Reinforced cellulose	RP010
25	[m] Reinforced cellulose	RP025
4	By-pass valve	CODE
	None	B00
	Setting 170 [kPa]; 1,7 [bar]	B17
	Setting 350 [kPa]; 3,5 [bar]	B35

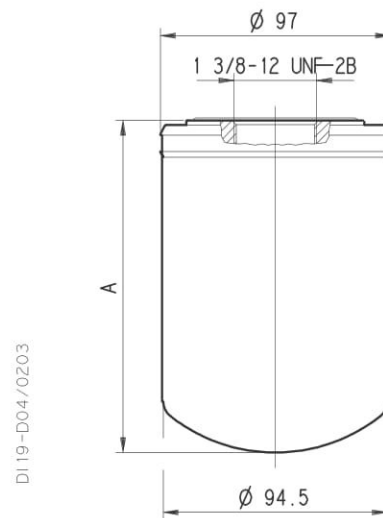
Standard

5	Ports IN/OUT	CODE
	Thread GAS (BSPP)	
	G 3/4	GE
	G 1	GF
6	Seals	CODE
	Buna	B
	Viton	V
7	Indicators arrangement	CODE
	None	XN
	On the right	XA
	On the left	XB
8	Indicators	CODE
	None	G
	Visual differential indicator	F
	Electrical differential indicator	Q

On request

FILTERING ELEMENTS - TECHNICAL DATA

Element type	A	Filtering surface	
		cm ²	
	mm	FG	RP
HE K50-20.140	152	1890	2170
HE K50-20.180	180	2350	2700
HE K50-20.230	228	3200	3700



HOW TO ORDER A REPLACEMENT ELEMENT

1	2	3	4
HE K50-20.140	AS	FG003	B

1	Element type	CODE
See table		HE K50-...
2	Filtering surface	CODE
Standard		AS
3	Degree of filtration	CODE
3	m] Micro-fibre glass	FG003
6	m] Micro-fibre glass	FG006
10	m] Micro-fibre glass	FG010
16	m] Micro-fibre glass	FG016
25	m] Micro-fibre glass	FG025
10	[m] Reinforced cellulose	RP010
25	[m] Reinforced cellulose	RP025

4	Seals	CODE
	Buna	B
	Viton	V

Standard
 On request

D119-002 - 01/029.03