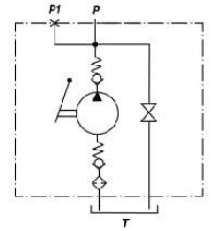
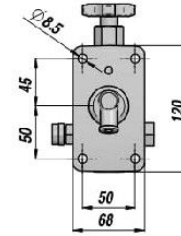
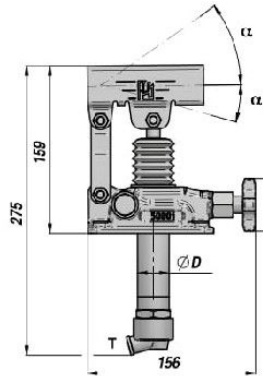
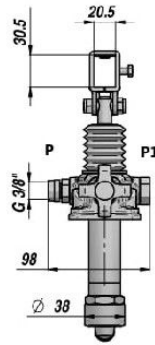
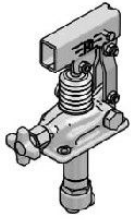


## PAM-TS **NEW!**

## POMPE A MAIN AVEC ROBINET DE RELACHE HAND PUMP WITH LOWERING VALVE

PREDISPOSEE POUR RESERVOIR  
SUITABLE FOR OIL TANK



Code Code	Type Type	cm3/cycle cm3/cycle	P MAX bar	ØD	α	α <sub>1</sub>	Température d'exercice Working Temperature	kg
PAM0141202	PAM-TS 12	12	380	30	37°	13°		2,89
PAM0142502	PAM-TS 25	25	350	35	57°	15°	-20°C +80°C	2,99
PAM0144502	PAM-TS 45	42	280	40	52°	28°		3,12

Fonctionnement D.E. pour vérin S.E. - Double-stroke for a S.A. cylinder

SUR DEMANDE - ON REQUEST:

PAMX-TS = POMPE AVEC SUPPORT POUR LEVIER ROND - HAND PUMP WITH ROUND LEVER HOLDER

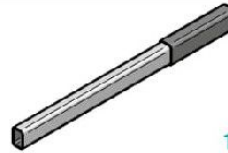
FPM = JOINTS EN VITON - VITON SEALS

VMQ = JOINTS EN FLUOROSILICONE - FLUORINE-SILICONE SEALS

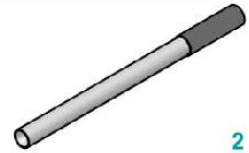
La pompe est fournie avec les vis de fixation et le joint NBR. - Hand Pump is supplied with fastening screws and NBR seal.

### LEVIERS - LEVERS

Code Code	Dimensions Sizes	TYPE	kg
* PAM0290000	20 x 30 x 600	1	0,71
PAM0290900	20 x 30 x 900	1	1,41
PAM0291000	20 x 30 x 1000	1	1,55
PM00290100	Ø27 x 600 ( PAMX )	2	0,91



1

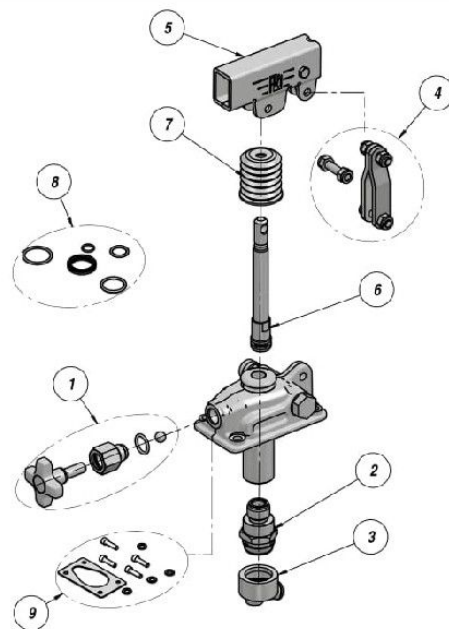


2

\* LEVIER STANDARD - STANDARD HAND LEVER

### PIECES DETACHEES - SPARE PARTS

Code Code	Description Description	Pour pompe For Pump	N°
PAMJVS1245	Kit robinet de relâche Lowering valve kit	All type	1
PAMJV01200	Kit aspiration	PAM-TS 12	2
PAMJV02500	Suction valve kit	PAM-TS 25	
PAMJV04500	Suction valve kit	PAM-TS 45	
PAMJRA1245	Kit raccord aspiration avec filtre Suction adapter kit with filter	All type	3
PAMJB01245	Kit bielle Conrod kit	All type	4
PAMJ010001	Support levier Hand lever holder	All type	5
PAMJPS1200	Kit piston+tige	PAM-TS 12	6
PAMJPS2025	Rod Piston assembled kit	PAM-TS 25	
PAMJPS4045	Rod Piston assembled kit	PAM-TS 45	
PAMJ020015	Soufflet Bellow	All type	7
PAMGT00012	Pochettes de joints standard	PAM-TS 12	8
PAMGT00025	Standard seal kits	PAM-TS 25	
PAMGT00045	Standard seal kits	PAM-TS 45	
PAMJ030017	Joint NBR + vis NBR seal + screws	All type	9

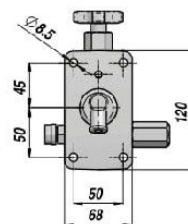
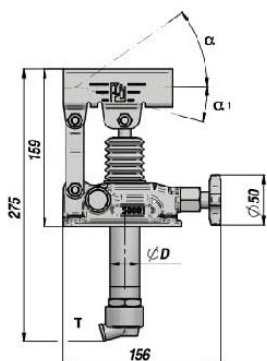
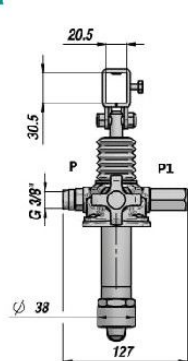
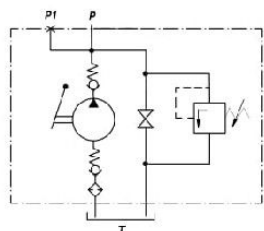


## POMPE A MAIN AVEC ROBINET DE RELACHE + LIMITEUR DE PRESSION HAND PUMP WITH LOWERING VALVE AND RELIEF VALVE

**NEW!**

**PAM-TSV**

**PREDISPOSEE POUR RESERVOIR  
SUITABLE FOR OIL TANK**



Code Code	Type Type	cm3/cycle cm3/cycle	P MAX bar	ØD	α	α <sub>1</sub>	Température d'exercice Working Temperature	kg
PAM0141203	PAM-TSV dx 12	12	380	30	37°	13°		2,97
PAM0142503	PAM-TSV dx 25	25	350	35	57°	15°	-20°C +80°C	3,07
PAM0144503	PAM-TSV dx 45	42	280	40	52°	28°		3.20

Fonctionnement D.E. pour vérin S.E. - Double-stroke for a S.A. cylinder

SUR DEMANDE - ON REQUEST:

PAMX-TSV = POMPE AVEC SUPPORT POUR LEVIER ROND - HAND PUMP WITH ROUND LEVER HOLDER

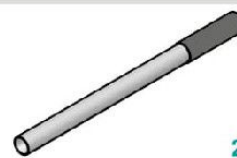
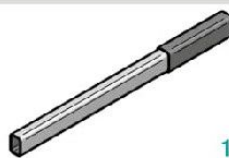
FPM = JOINTS EN VITON - VITON SEALS

VMQ = JOINTS EN FLUOROSILICONE - FLUORINE-SILICONE SEALS

La pompe est fournie avec les vis de fixation et le joint NBR. - Hand Pump is supplied with fastening screws and NBR seal.

### LEVIERS - LEVERS

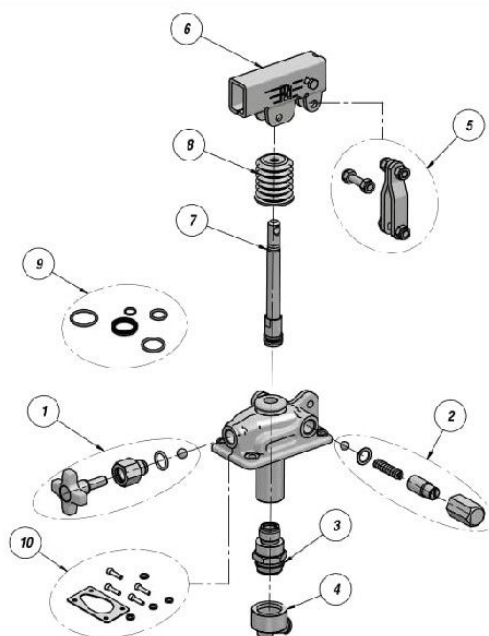
Code Code	Dimensions Sizes	TYPE	kg
* PAM0290000	20 x 30 x 600	1	0,71
PAM0290900	20 x 30 x 900	1	1,41
PAM0291000	20 x 30 x 1000	1	1,55
PM00290100	Ø27 x 600 ( PAMX )	2	0,91



\* LEVIER STANDARD - STANDARD HAND LEVER

### PIECES DETACHEES - SPARE PARTS

Code Code	Description Description	Pour pompe For Pump	N°
PAMJVS1245	Kit robinet de relâche Lowering valve kit	All type	1
PAMJVMP000	Kit Limiteur de pression Relief Valve Kit	All type	2
PAMJVO1200 PAMJVO2500 PAMJVO4500	Kit aspiration Suction valve kit	PAM-TSV 12 PAM-TSV 25 PAM-TSV 45	3
PAMJRA1245	Kit raccord aspiration avec filtre Suction adapter kit with filter	All type	4
PAMJB01245	Kit bielle Conrod kit	All type	5
PAMJ010001	Support levier Hand lever holder	All type	6
PAMJPS1200 PAMJPS2025 PAMJPS4045	Kit piston+tige Rod Piston assembled kit	PAM-TSV 12 PAM-TSV 25 PAM-TSV 45	7
PAMJ020015	Soufflet Bellows	All type	8
PAMGT00012 PAMGT00025 PAMGT00045	Pochettes de joints standard Standard seal kits	PAM-TSV 12 PAM-TSV 25 PAM-TSV 45	9
PAMJ030017	Joint NBR + vis NBR seal + screws	All type	10

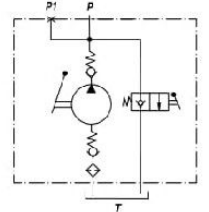
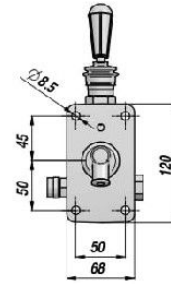
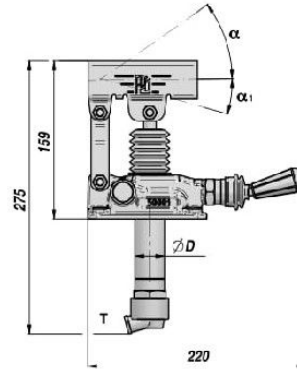
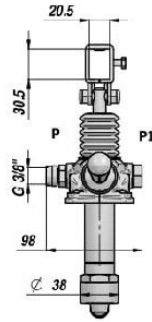


PAM-TRS

NEW!

POMPE A MAIN AVEC LEVIER A RAPPEL  
HAND PUMP WITH LEVER RELEASE

PREDISPOSEE POUR RESERVOIR  
SUITABLE FOR OIL TANK



Code Code	Type Type	cm3/cycle cm3/cycle	P MAX bar	ØD	α	α <sub>1</sub>	Température d'exercice Working Temperature	kg
PAM0141206	PAM-TRS 12	12	380	30	37°	13°		3,00
PAM0142506	PAM-TRS 25	25	350	35	57°	15°	-20°C +80°C	3,10
PAM0144506	PAM-TRS 45	42	280	40	52°	28°		3,25

Fonctionnement D.E. pour vérin S.E. - Double-stroke for a S.A. cylinder

SUR DEMANDE - ON REQUEST:

PAMX-TRS = POMPE AVEC SUPPORT POUR LEVIER ROND - HAND PUMP WITH ROUND LEVER HOLDER

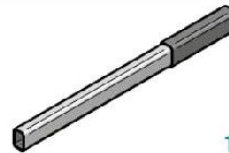
FPM = JOINTS EN VITON - VITON SEALS

VMQ = JOINTS EN FLUOROSILICONE - FLUORINE-SILICONE SEALS

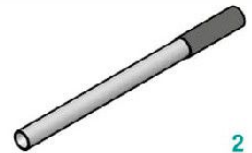
La pompe est fournie avec les vis de fixation et le joint NBR. - Hand Pump is supplied with fastening screws and NBR seal.

LEVIERS - LEVERS

Code Code	Dimensions Sizes	TYPE	kg
* PAM0290000	20 x 30 x 600	1	0,71
PAM0290900	20 x 30 x 900	1	1,41
PAM0291000	20 x 30 x 1000	1	1,55
PM00290100	Ø27 x 600 ( PAMX )	2	0,91



1

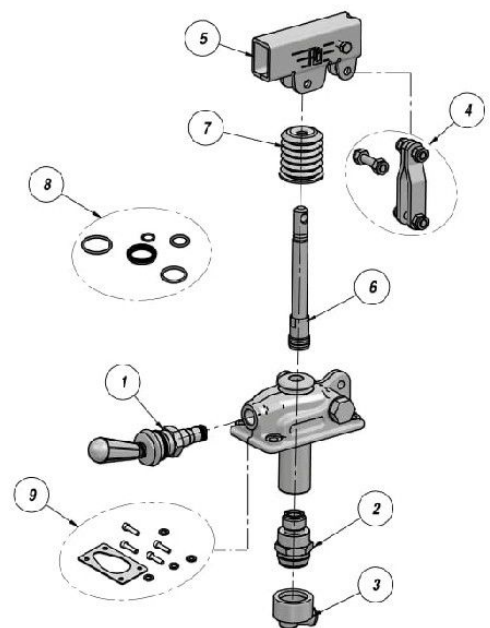


2

\* LEVIER STANDARD - STANDARD HAND LEVER

PIECES DETACHEES - SPARE PARTS

Code Code	Description Description	Pour pompe For Pump	N°
PAMJVR1245	Kit levier à rappel lever release kit	All type	1
PAMJV01200	Kit aspiration	PAM-TRS 12	2
PAMJV02500	Suction valve kit	PAM-TRS 25	
PAMJV04500	Suction valve kit	PAM-TRS 45	
PAMJRA1245	Kit raccord aspiration avec filtre Suction adapter kit with filter	All type	3
PAMJB01245	Kit bielle Conrod kit	All type	4
PAMJ010001	Support levier Hand lever holder	All type	5
PAMJPS1200	Kit piston+tige	PAM-TRS 12	6
PAMJPS2025	Rod Piston assembled kit	PAM-TRS 25	
PAMJPS4045	Rod Piston assembled kit	PAM-TRS 45	
PAMJ020015	Soufflet Bellow	All type	7
PAMGTR0012	Pochettes de joints standard	PAM-TRS 12	8
PAMGTR0025	Standard seal kits	PAM-TRS 25	
PAMGTR0045	Standard seal kits	PAM-TRS 45	
PAMJ030017	Joint NBR + vis NBR seal + screws	All type	9

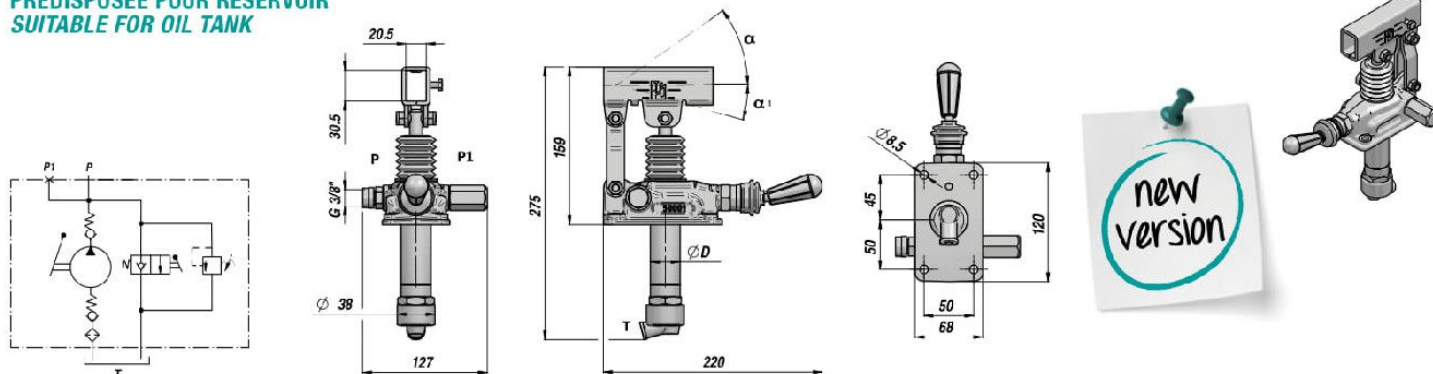


## POMPE A MAIN AVEC LEVIER A RAPPEL + LIMITEUR DE PRESSION HAND PUMP WITH LEVER RELEASE AND RELIEF VALVE

**NEW!**

**PAM-TRSV**

**PREDISPOSEE POUR RESERVOIR  
SUITABLE FOR OIL TANK**



Code Code	Type Type	cm <sup>3</sup> /cycle cm <sup>3</sup> /cycle	P MAX bar	ØD	α	α <sub>1</sub>	Température d'exercice Working Temperature	kg
PAM0141207	PAM-TRSV dx 12	12	380	30	37°	13°		3,08
PAM0142507	PAM-TRSV dx 25	25	350	35	57°	15°	-20°C +80°C	3,18
PAM0144507	PAM-TRSV dx 45	42	280	40	52°	28°		3,33

Fonctionnement D.E. pour vérin S.E. - Double-stroke for a S.A. cylinder

SUR DEMANDE - ON REQUEST:

PAMX-TRSV = POMPE AVEC SUPPORT POUR LEVIER ROND - HAND PUMP WITH ROUND LEVER HOLDER

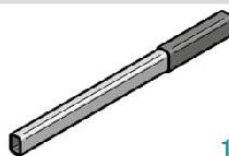
FPM = JOINTS EN VITON - VITON SEALS

VMQ = JOINTS EN FLUOROSILICONE - FLUORINE-SILICONE SEALS

La pompe est fournie avec les vis de fixation et le joint NBR. - Hand Pump is supplied with fastening screws and NBR seal.

### LEVIERS - LEVERS

Code Code	Dimensions Sizes	TYPE	kg
* PAM0290000	20 x 30 x 600	1	0,71
PAM0290900	20 x 30 x 900	1	1,41
PAM0291000	20 x 30 x 1000	1	1,55
PM00290100	Ø27 x 600 ( PAMX )	2	0,91



1



2

\* LEVIER STANDARD - STANDARD HAND LEVER

### PIECES DETACHEES - SPARE PARTS

Code Code	Description Description	Pour pompe For Pump	N°
PAMJVR1245	Kit levier à rappel lever release kit	All type	1
PAMJVMP000	Kit Limiteur de pression Relief Valve Kit	All type	2
PAMJV01200 PAMJV02500 PAMJV04500	Kit aspiration Suction valve kit	PAM-TRSV 12 PAM-TRSV 25 PAM-TRSV 45	3
PAMJRA1245	Kit raccord aspiration avec filtre Suction adapter kit with filter	All type	4
PAMJB01245	Kit bielle Conrod kit	All type	5
PAMJ010001	Support levier Hand lever holder	All type	6
PAMJPS1200 PAMJPS2025 PAMJPS4045	Kit piston+tige Rod Piston assembled kit	PAM-TRSV 12 PAM-TRSV 25 PAM-TRSV 45	7
PAMJ020015	Soufflet Bellow	All type	8
PAMGTR0012 PAMGTR0025 PAMGTR0045	Pochettes de joints standard Standard seal kits	PAM-TRSV 12 PAM-TRSV 25 PAM-TRSV 45	9
PAMJ030017	Joint NBR + vis NBR seal + screws	All type	10

