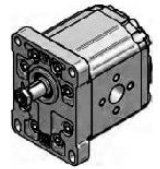
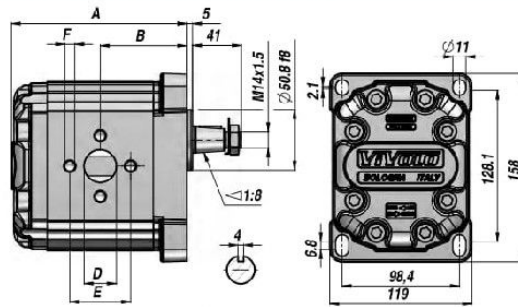


POMPE A ENGRENAGES
GEAR PUMP
BOMBA DE ENGRANAJES

GR. 3

STANDARD EUROPEEN CENTRAGE $\varnothing 50,8$ ARBRE CONIQUE 1:8
STANDARD EUROPEAN $\varnothing 50,8$ FLANGE 1:8 TAPER SHAFT
BRIDA ESTANDAR EUROPEA $\varnothing 50,8$ EJE CONICO 1:8

XV3P



Code Code Código	Type Type Tipo	cm ³ /tr cm ³ /rev cm ³ /giro	P MAX bar		tr/min rpm - giro/min		A	B	IN D x E x F	OUT D x E x F	kg
			P1	P3	MAX	MIN					
3P660*AAAA	XV-3P/15	14,89	300	320	3000	700	124	61,0	$\varnothing 20 \times 40 \times M8$	$\varnothing 20 \times 40 \times M8$	7,01
3P680*AAAA	XV-3P/18	17,37	300	320	3000	700	126	62,0	$\varnothing 20 \times 40 \times M8$	$\varnothing 20 \times 40 \times M8$	7,07
3P700*AAAA	XV-3P/21	21,10	280	300	3000	700	129	63,5	$\varnothing 20 \times 40 \times M8$	$\varnothing 20 \times 40 \times M8$	7,15
3P720*AAAA	XV-3P/27	26,97	250	270	3000	700	133	65,5	$\varnothing 20 \times 40 \times M8$	$\varnothing 20 \times 40 \times M8$	7,25
3P740*ABBA	XV-3P/32	32,27	250	270	3000	700	138	68,0	$\varnothing 27 \times 51 \times M10$	$\varnothing 27 \times 51 \times M10$	7,39
3P780*ABBA	XV-3P/38	38,47	250	270	2800	700	143	70,5	$\varnothing 27 \times 51 \times M10$	$\varnothing 27 \times 51 \times M10$	7,52
3P790*ABBA	XV-3P/43	43,44	250	270	2800	700	147	72,5	$\varnothing 27 \times 51 \times M10$	$\varnothing 27 \times 51 \times M10$	7,63
3P800*ABBA	XV-3P/47	47,16	230	250	2800	700	150	74,0	$\varnothing 27 \times 51 \times M10$	$\varnothing 27 \times 51 \times M10$	7,71
3P810*ABBA	XV-3P/51	50,88	230	250	2800	700	153	75,5	$\varnothing 27 \times 51 \times M10$	$\varnothing 27 \times 51 \times M10$	7,79
3P820*ABBA	XV-3P/54	54,60	230	250	2300	700	156	77,0	$\varnothing 27 \times 51 \times M10$	$\varnothing 27 \times 51 \times M10$	7,87
3P830*ACCA	XV-3P/61	60,81	230	250	2300	700	161	79,5	$\varnothing 36 \times 62 \times M10$	$\varnothing 36 \times 62 \times M10$	8,01
3P850*ACCA	XV-3P/64	64,53	210	230	2300	700	164	81,0	$\varnothing 36 \times 62 \times M10$	$\varnothing 36 \times 62 \times M10$	8,09
3P860*ACCA	XV-3P/70	70,74	200	220	2300	700	169	83,5	$\varnothing 36 \times 62 \times M10$	$\varnothing 36 \times 62 \times M10$	8,22
3P870*ACCA	XV-3P/74	74,46	180	200	2300	700	172	85,0	$\varnothing 36 \times 62 \times M10$	$\varnothing 36 \times 62 \times M10$	8,30
3P890*ACCA	XV-3P/90	86,87	150	170	2300	700	182	90,0	$\varnothing 35 \times 62 \times M10$	$\varnothing 35 \times 62 \times M10$	8,57

* 1 = ROTATION GAUCHE - ANTICLOCKWISE - ROTACION IZQUIERDA

* 2 = ROTATION DROITE - CLOCKWISE - ROTACION DERECHA

P1 = PRESSION MAXI D'EXERCICE - MAX. WORKING PRESSURE - PRESION MAX DE TRABAJO

P3 = PRESSION MAXI DE POINTE - MAX. PEAK PRESSURE - PRESION MAX DE PICO

SUR DEMANDE:

CORPS TARAUE "BSP"

POMPES TYPE BOSCH

POMPES TYPE "SAE"

POMPES POUR MINI-CENTRALE (GR.1)

ON REQUEST:

"BSP" THREADED HOUSING

GERMAN STANDARDIZED PUMPS

"SAE" TYPE PUMPS

PUMPS FOR MINI POWER PACK (GR.1)

BAJO PEDIDO:

CUERPO ROSCADO "BSP"

BOMBAS TIPO BOSCH

BOMBAS TIPO "SAE"

BOMBAS PARA MOTOBOMBA (GR.1)