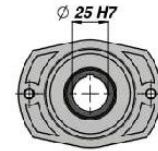
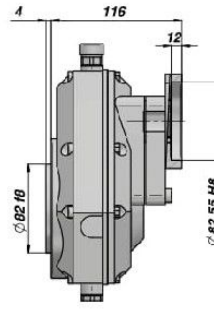
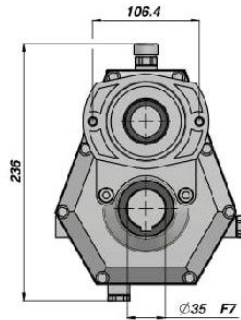


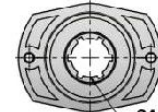
GBR2

NEW!

REDUCTEUR GR.2 - BRIDE SAE A
GR.2 REDUCTION GEAR - SAE A FLANGE



Cilindrique
Parallel



Cannelé
Splined
SAE 6B

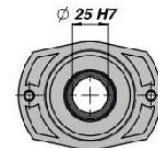
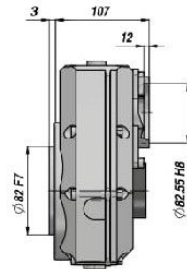
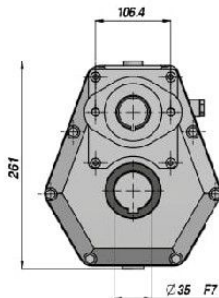
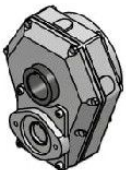
Code Code	Type Type	Arbre - Shaft		Rapport Ratio	kg
		Entrée - Input	Sortie - Output		
BR95001010	GBR2/SAEA - F25 - 1.5 / 1 - F35	Cilindrique Parallel Ø25	Arbre creux Hollow shaft Ø35	1.5	5,00
BR95001020	GBR2/SAEA - F25 - 2.0 / 1 - F35			2.0	5,00
BR95001030	GBR2/SAEA - F25 - 2.5 / 1 - F35			2.5	5,00
BR95001040	GBR2/SAEA - F25 - 3.0 / 1 - F35			3.0	5,00
BR95001050	GBR2/SAEA - F25 - 3.5 / 1 - F35			3.5	5,00
BR95001060	GBR2/SAEA - F25 - 3.8 / 1 - F35			3.8	5,00
BR95002010	GBR2/SAEA - SAE6B - 1.5 / 1 - F35	Cannelé Splined SAE 6B	Arbre creux Hollow shaft Ø35	1.5	5,00
BR95002020	GBR2/SAEA - SAE6B - 2.0 / 1 - F35			2.0	5,00
BR95002030	GBR2/SAEA - SAE6B - 2.5 / 1 - F35			2.5	5,00
BR95002040	GBR2/SAEA - SAE6B - 3.0 / 1 - F35			3.0	5,00
BR95002050	GBR2/SAEA - SAE6B - 3.5 / 1 - F35			3.5	5,00
BR95002060	GBR2/SAEA - SAE6B - 3.8 / 1 - F35			3.8	5,00

MATERIEL CORPS : ALUMINIUM
BODY MATERIAL : ALUMINIUM

GBR3

NEW!

REDUCTEUR GR.3 - BRIDE SAE A
GR.3 REDUCTION GEAR - SAE A FLANGE



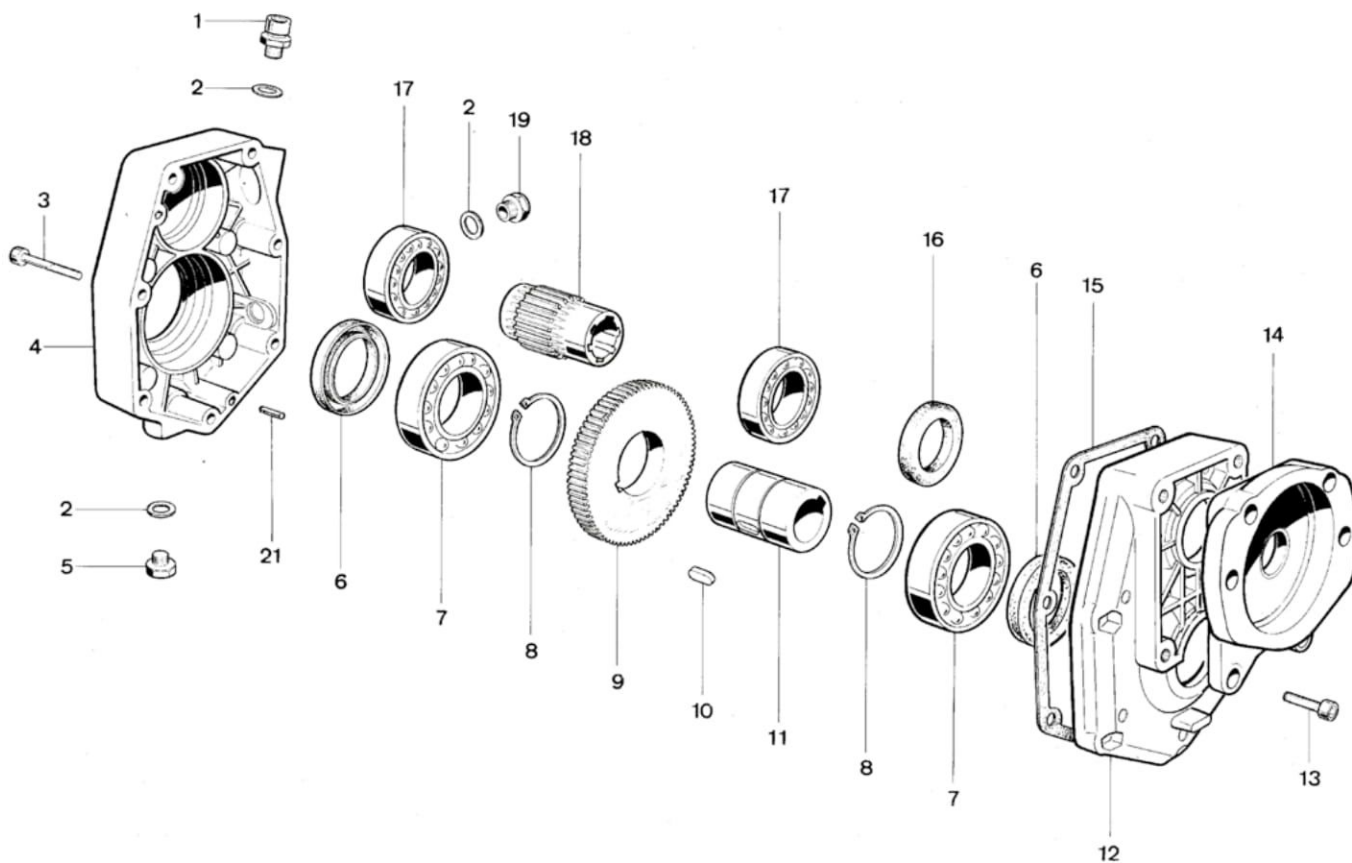
Cilindrique
Parallel

Code Code	Type Type	Arbre - Shaft		Rapport Ratio	kg
		Entrée - Input	Sortie - Output		
BR96001010	GBR2/SAEA - F25 - 1.5 / 1 - F35	Cilindrique Parallel Ø25	Arbre creux Hollow shaft Ø35	1.5	8,50
BR96001020	GBR2/SAEA - F25 - 2.0 / 1 - F35			2.0	8,50
BR96001030	GBR2/SAEA - F25 - 2.5 / 1 - F35			2.5	8,50
BR96001040	GBR2/SAEA - F25 - 3.0 / 1 - F35			3.0	8,50
BR96001050	GBR2/SAEA - F25 - 3.5 / 1 - F35			3.5	8,50
BR96001060	GBR2/SAEA - F25 - 3.8 / 1 - F35			3.8	8,50

MATERIEL CORPS : ALUMINIUM
BODY MATERIAL : ALUMINIUM

- TAVOLA RICAMBI RIDUTTORI Gr. 2 SAE A
- TABLEAU DES PIECES DETACHEES DU RÉDUCTEURS Gr. 2 SAE A
- REDUCTION GEAR SPARE PARTS TABLE GROUP 2 SAE A
- ERSATZTEILLISTE HUNTERSETZUNGSGETRIEBE Gr. 2 SAE A

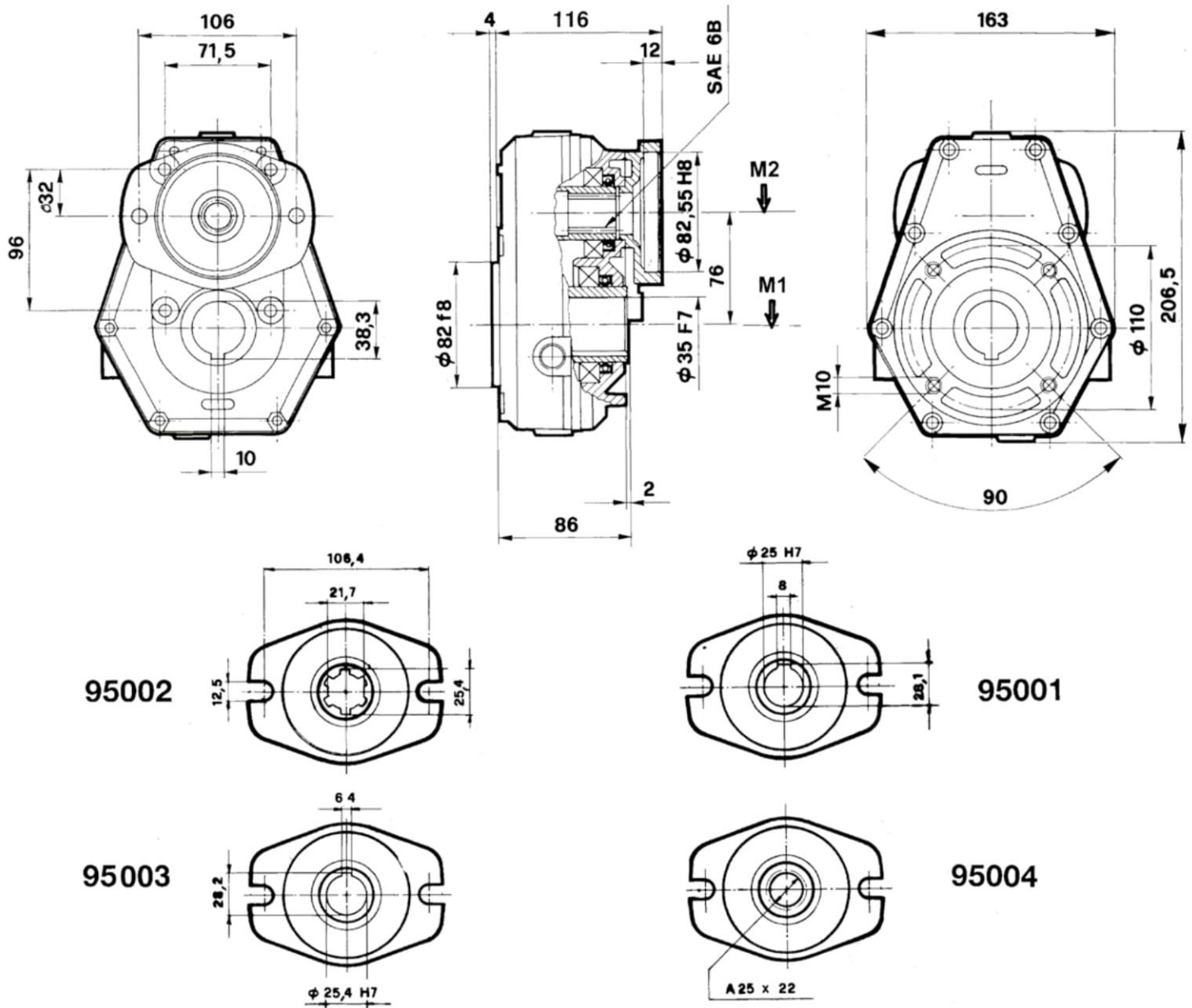
SERIE 95000



POS.	DENOMINAZIONE	DENOMINATION	DESCRIPTION	BEZEICHNUNG	Q.TÀ
1	Tappo sfiato olio 3/8"	Bouchon reniflard huile 3/8"	Oil breather plug 3/8"	Entlüftungsschraube 3/8"	1
2	Guarnizione	Joint	Gasket	Dichtung	3
3	Vite T.C.E.I. M6x50	Vis T.C.H.C. M6x50	Socket cap screw M6x50	Zylinderkopfschraube mit Innen-sechskant M6x50	8
4	Scatola	Carcasse	Housing	Gehäuse	1
5	Tappo scarico olio 3/8"	Bouchon vidange huile 3/8"	Oil drain plug 3/8"	Ölablaßschraube 3/8"	1
6	Anello tenuta \varnothing 50x65x8	Bague d'étanchéité D. 50x65x8	Sealing ring 50x65x8	Dichtring, Durchm. 50x65x8	2
7	Cuscinetto tipo 6010	Palier 6010	Bearing type 6010	Kugellager, Typ 6010	2
8	Anello seeger \varnothing 50	Circlip D. 50	Snap ring \varnothing 50	Seegerring, Durchm. 50	2
9	Corona	Couronne	Ring gear	Zahnkranz	1
10	Chiavetta 12x20	Clavette 12x20	Key 12x20	Keil 12x20	1
11	Albero cavo \varnothing 35	Arbre creux D. 35	Hollow shaft \varnothing 35	Hohlwelle, Durchm. 35	1
12	Coperchio	Couvercle	Cover	Deckel	1
13	Vite M8x20	Vis M8x20	Screw M8x20	Schraube M8x20	4
14	Flangia SAE A	Bride SAE A	Flange SAE A	Flansch, SAE A	1
15	Guarnizione	Joint	Gasket	Dichtung	1
16	Anello di tenuta \varnothing 35x52x7	Bague d'étanchéité 35x52x7	Sealing ring 35x52x7	Dichtring, Durchm. 35x52x7	1
17	Cuscinetto tipo 6007	Palier 6007	Bearing 6007	Kugellager, Type 6007	2
18	Pignone	Pignon	Pinion gear	Ritzel,	1
19	Tappo livello olio 3/8"	Bouchon niveau huile 3/8"	Oil level plug 3/8"	Ölstandsschraube 3/8"	1
20	Dado M6	Ecrou M6	Nut M6	Mutter, M6	8
21	Spina 5x16	Goupille 5x16	Peg 5x16	Stift 5x16	2

- RIDUTTORE Gr. 2 SAE A
- REDUCTEUR Gr. 2 SAE A
- REDUCTION GEAR GROUP 2 SAE A
- HUNTERSETZUNGSGETRIEBE Gr. 2 SAE A

SERIE 95000

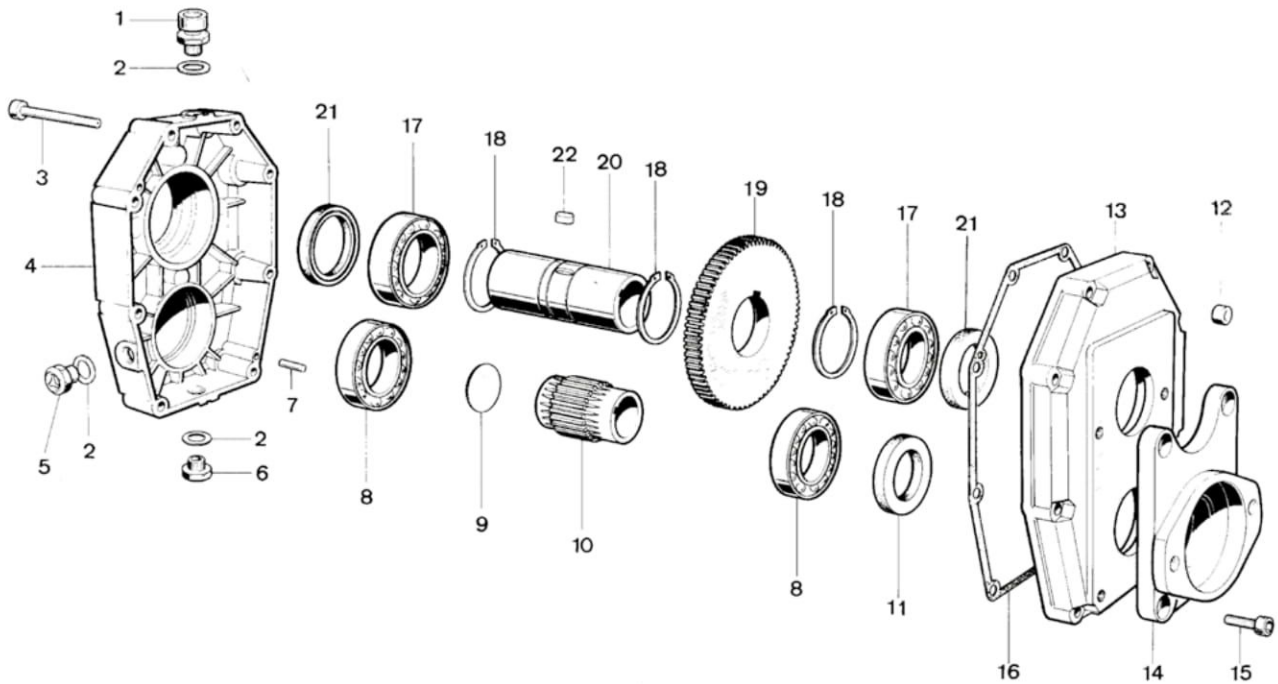


Livello max olio: it 0,220

M1 da Nm	M2 da Nm	N. 1 giri/1' tours/1' R.P.M U/min	N. 2 giri/1' tours/1' R.P.M U/min	I N.1/N.2	POTENZA Kw	P Kg
19,6	13,1	200	300	1,5	10	5
17,6	8,8	200	400	2	10	5
19,2	7,7	200	500	2,5	10	5
20,1	6,7	200	600	3	10	5
21,4	6,3	200	700	3,5	10	5
18,6	4,9	200	760	3,8	10	5

- TAVOLA RICAMBI PER RIDUTTORI Gr. 3 SAE
- TABLEAU DES PIÈCES DÉTACHÉES DU REDUCTEUR Gr. 3 SAE
- REDUCTION GEAR SPARE PARTS TABLE GROUP 3 SAE
- ERSATZTEILLISTE HUNTERSETZUNGSGETRIEBE Gr. 3 SAE

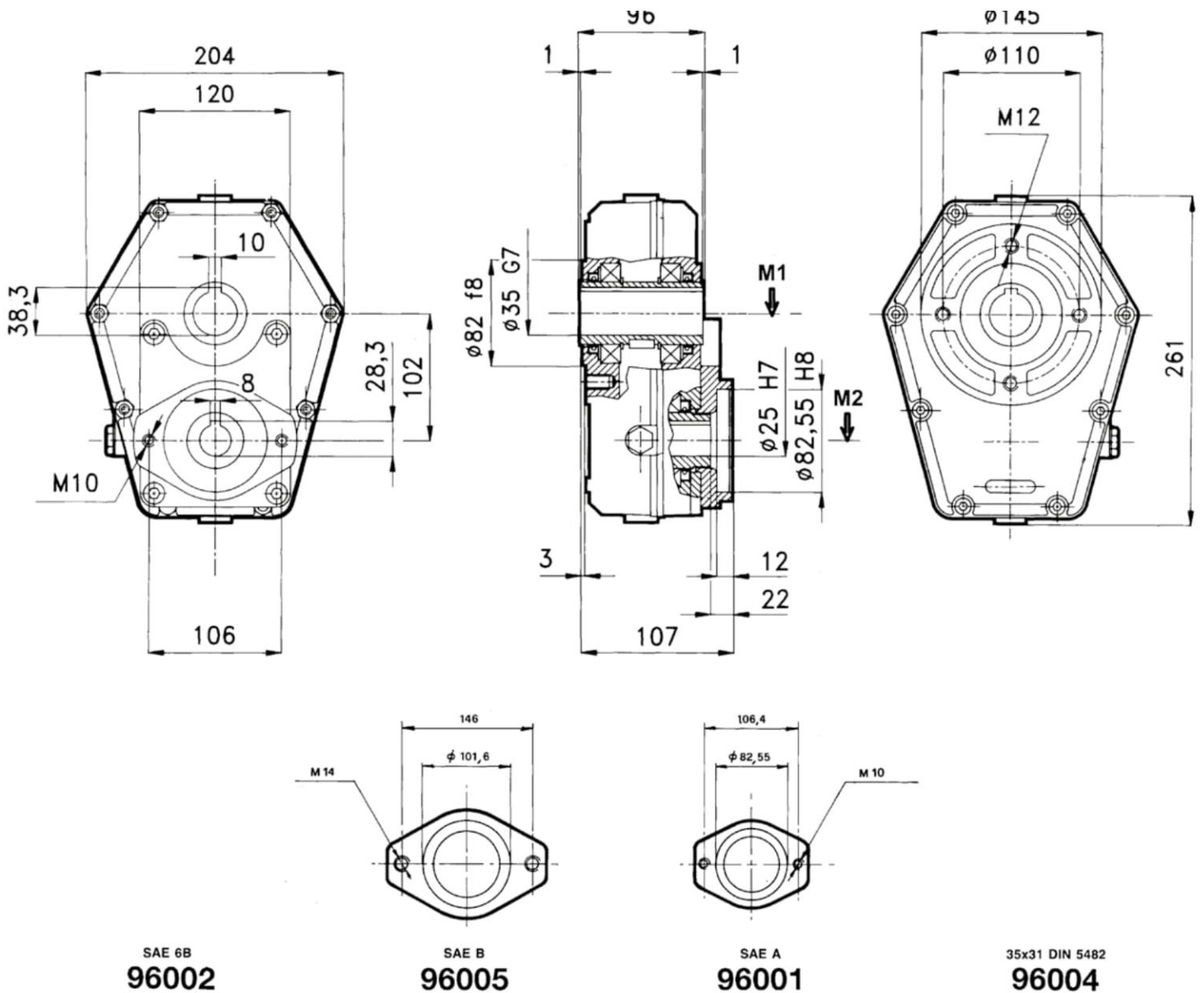
SERIE 96000



POS.	DENOMINAZIONE	DENOMINATION	DESCRIPTION	BEZEICHNUNG	Q.TÀ
1	Tappo sfiato olio 3/8"	Bouchon reniflard huile 3/8"	Oil breather plug 3/8"	Entlüftungsschraube 3/8"	1
2	Guarnizione	Joint	Gasket	Dichtung	3
3	Vite M8x70	Vis M8x70	Socket capscrew M8x70	Schraube M8x70	8
4	Scatola	Carcasse	Housing	Gehäuse	1
5	Tappo livello olio 3/8"	Bouchon niveau huile 3/8"	Oil level plug 3/8"	Ölstandsschraube 3/8"	1
6	Tappo scarico olio 3/8"	Bouchon vidange huile 3/8"	Oil drain plug 3/8"	Ölablaßschraube 3/8"	1
7	Spina 5x16	Goupille 5x16	Peg 5x16	Stift 5x16	2
8	Cuscinetto tipo 6009	Palier 6009	Bearing type 6009	Kugellager, Type 6009	2
9	Coperchietto D.37 DIN 470	Petit couvercle D.37 DIN 470	Cap D.37 DIN 470	Deckel D.37 DIN 470	1
9	Corona	Couronne	Ring gear	Zahnkranz	1
10	Pignone	Pignon	Pinion gear	Ritzel	1
11	Anello di tenuta \varnothing 45x65x8	Bague d'étanchéité 45x65x8	Sealing ring 45x65x8	Dichtring, Durchm. 45x65x8	1
12	Dado M8	Ecrou M8	Nut M8	Mutter M8	8
13	Coperchio	Couvercle	Cover	Deckel	1
14	Flangia SAE A	Bride SAE A	Flange SAE A	Flansch, SAE A	1
15	Vite M10x20	Vis M10x20	Screw M10x20	Schraube M10x20	4
16	Guarnizione	Joint	Gasket	Dichtung	1
17	Cuscinetto tipo 6010	Palier 6010	Bearing type 6010	Kugellager, Typ 6010	2
18	Seeger \varnothing 50	Circlip D. 50	Snap ring \varnothing 50	Seegerring, Durchm. 50	2
19	Corona	Couronne	Ring gear	Zahnkranz	1
20	Albero cavo \varnothing 35	Arbre creux \varnothing 35	Hollow shaft \varnothing 35	Hohlwelle, Durchm. \varnothing 35	1
21	Anello di tenuta \varnothing 50x65x8	Bague d'étanchéité 50x65x8	Sealing ring \varnothing 50x65x8	Dichtring, Durchm. 50x65x8	2
22	Chiavetta 12x25	Clavette 12x25	Key 12x25	Keil 12x25	1

- RIDUTTORE Gr. 3 SAE
- REDUCTEUR Gr. 3 SAE
- REDUCTION GEAR GROUP 3 SAE
- HUNTERSETZUNGSGETRIEBE Gr. 3 SAE

SERIE 96000



Livello max olio: it 0,350

M1 da Nm	M2 da Nm	N. 1 giri/1' tours/1' R.P.M U/min	N. 2 giri/1' tours/1' R.P.M U/min	I N.1/N.2	POTENZA Kw	P Kg
48	32	200	300	1,5	20	8,5
48,5	24,2	200	400	2	20	8,5
52	20,8	200	500	2,5	20	8,5
57	19	200	600	3	20	8,5
53	15,1	200	680	3,5	20	8,5
52,5	13,8	200	760	3,8	20	8,5