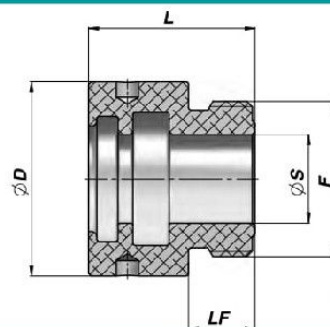
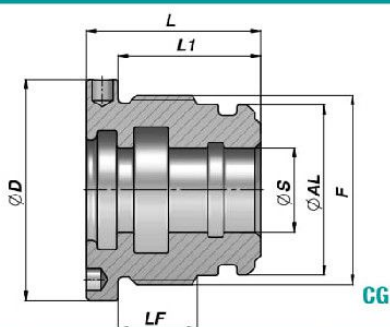


CG

Series M250



Code Code	ØAL	ØS	ØD	F	LF	L	L1	kg	Boîte Box	Pcs Pcs	Pochette de joints Seal kits
*CG03502516	25	16	35	M28x1.5	12	30	-	0,04	Z00CG03502516	100	GKGC025016
*CG04003016	30	16	40	M34x1.5	15	33	27	0,05	Z50CG04003016	50	GKGC030016
*CG04203216	32	16	42	M36x1.5	15	33	27	0,06	Z50CG04203216	50	GKGC032016
CG04203220	32	20	"	"	"	"	"	0,12	Z50CG04203220	50	GKGC032020
CG04503520	35	20	44	M39x1.5	19	40	32	0,21	Z50CG04503520	50	GKGC035020
CG04503522	35	22	"	"	"	"	"	0,18	Z50CG04503522	50	GKGC035022
CG05004020	40	20	49	M44x1.5	19	40	32	0,30	Z50CG05004020	50	GKGC040020
CG05004022	40	22	"	"	"	"	"	0,27	Z50CG05004022	50	GKGC040022
CG05004025	40	25	"	"	"	"	"	0,24	Z50CG05004025	50	GKGC040025
CG05004028	40	28	"	"	"	"	"	0,20	Z50CG05004028	50	GKGC040028
CG05504522	45	22	54	M49x1.5	19	40	32	0,37	Z25CG05504522	25	GKGC045022
CG05504525	45	25	"	"	"	"	"	0,34	Z25CG05504525	25	GKGC045025
CG06005020	50	20	59	M54x1.5	22	43	35	0,55	Z25CG06005020	25	GKGC050020
CG06005025	50	25	"	"	"	"	"	0,48	Z25CG06005025	25	GKGC050025
CG06005028	50	28	"	"	"	"	"	0,45	Z25CG06005028	25	GKGC050028
CG06005030	50	30	"	"	"	"	"	0,41	Z25CG06005030	25	GKGC050030
CG06005032	50	32	"	"	"	"	"	0,38	Z25CG06005032	25	GKGC050032
CG06005135	50	35	"	"	"	"	"	0,34	Z25CG06005135	25	GKGC051035
**CG06005035	50	35	"	"	17	38	30	0,29	Z25CG06005035	25	GKGC050035
CG06505525	55	25	64	M60x1.5	21	43	35	0,63	Z25CG06505525	25	GKGC055025
CG06505530	55	30	"	"	"	"	"	0,56	Z25CG06505530	25	GKGC055030
CG06505535	55	35	"	"	"	"	"	0,47	Z25CG06505535	25	GKGC055035
CG07006025	60	25	69	M64x1.5	27	50	40	0,91	Z25CG07006025	25	GKGC060025
CG07006030	60	30	"	"	"	"	"	0,83	Z25CG07006030	25	GKGC060030
CG07006035	60	35	"	"	"	"	"	0,72	Z25CG07006035	25	GKGC060035
CG07006040	60	40	"	"	"	"	"	0,62	Z25CG07006040	25	GKGC060040
CG07006045	60	45	"	"	"	"	"	0,48	Z25CG07006045	25	GKGC060045
CG07306330	63	30	73	M68x1.5	25	50	40	0,96	Z20CG07306330	20	GKGC063030
CG07306332	63	32	"	"	"	"	"	0,92	Z20CG07306332	20	GKGC063032
CG07306335	63	35	"	"	"	"	"	0,86	Z20CG07306335	20	GKGC063035
CG07306336	63	36	"	"	"	"	"	0,85	Z20CG07306336	20	GKGC063036
CG07306340	63	40	"	"	"	"	"	0,76	Z20CG07306340	20	GKGC063040
CG07306345	63	45	"	"	"	"	"	0,61	Z20CG07306345	20	GKGC063045
CG07506530	65	30	74	M69x1.5	25	50	40	1,00	Z20CG07506530	20	GKGC065030
CG07506535	65	35	"	"	"	"	"	0,90	Z20CG07506535	20	GKGC065035
CG07506540	65	40	"	"	"	"	"	0,80	Z20CG07506540	20	GKGC065040
CG07506545	65	45	"	"	"	"	"	0,67	Z20CG07506545	20	GKGC065045
CG08007025	70	25	79	M74x1.5	27	50	40	1,29	Z20CG08007025	20	GKGC070025
CG08007030	70	30	"	"	"	"	"	1,21	Z20CG08007030	20	GKGC070030
CG08007035	70	35	"	"	"	"	"	1,11	Z20CG08007035	20	GKGC070035
CG08007040	70	40	"	"	"	"	"	0,98	Z20CG08007040	20	GKGC070040
CG08007045	70	45	"	"	"	"	"	0,86	Z20CG08007045	20	GKGC070045
CG08007050	70	50	"	"	"	"	"	0,72	Z20CG08007050	20	GKGC070050
CG09007530	75	30	89	M80x2	33	60	50	1,79	Z10CG09007530	10	GKGC075030
CG09007535	75	35	"	"	"	"	"	1,66	Z10CG09007535	10	GKGC075035
CG09007540	75	40	"	"	"	"	"	1,51	Z10CG09007540	10	GKGC075040
CG09007545	75	45	"	"	"	"	"	1,37	Z10CG09007545	10	GKGC075045
CG09508030	80	30	94	M85x2	33	60	50	2,06	Z10CG09508030	10	GKGC080030
CG09508035	80	35	"	"	"	"	"	1,93	Z10CG09508035	10	GKGC080035

** CG06005035 NE PEUT PAS ETRE MONTE AVEC "STL" STANDARD

** CG06005035 NOT SUITABLE FOR STANDARD "STL"

JOINTS : VOIR PAGES 71-72

SEALS : SEE PAGES 71-72

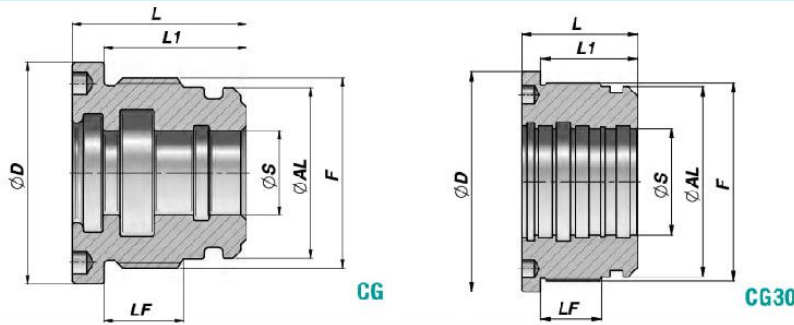
SUR DEMANDE :KIT JOINTS IN VITON

ON REQUEST : VITON SEAL KITS

TETE DE GUIDAGE
HEAD BUSH

CG/CG30

Series M250



Code Code	ØAL	ØS	ØD	F	LF	L	L1	kg	Boîte Box	Pcs Pcs	Pochette de joints Seal kits
CG09508040	80	40	94	M85x2	33	60	50	1,78	Z10CG09508040	10	GKGC080040
CG09508045	80	45	"	"	"	"	"	1,64	Z10CG09508045	10	GKGC080045
CG09508050	80	50	"	"	"	"	"	1,47	Z10CG09508050	10	GKGC080050
CG09508055	80	55	"	"	"	"	"	1,28	Z10CG09508055	10	GKGC080055
CG09508060	80	60	"	"	"	"	"	1,05	Z10CG09508060	10	GKGC080060
CG10008535	85	35	99	M90x2	33	60	50	2,20	Z10CG10008535	10	GKGC085035
CG10008540	85	40	"	"	"	"	"	2,05	Z10CG10008540	10	GKGC085040
CG10008545	85	45	"	"	"	"	"	1,90	Z10CG10008545	10	GKGC085045
CG10008550	85	50	"	"	"	"	"	1,73	Z10CG10008550	10	GKGC085050
CG10509040	90	40	104	M95x2	33	60	50	2,35	Z05CG10509040	5	GKGC090040
CG10509045	90	45	"	"	"	"	"	2,22	Z05CG10509045	5	GKGC090045
CG10509050	90	50	"	"	"	"	"	2,04	Z05CG10509050	5	GKGC090050
CG10509060	90	60	"	"	"	"	"	1,62	Z05CG10509060	5	GKGC090060
CG11510040	100	40	114	M105x2	51	82	70	4,21	Z05CG11510040	5	GKGC100040
CG11510045	100	45	"	"	51	82	70	4,02	Z05CG11510045	5	GKGC100045
CG11510050	100	50	"	"	"	"	"	3,79	Z05CG11510050	5	GKGC100050
CG11510055	100	55	"	"	51	82	70	3,54	Z05CG11510055	5	GKGC100055
CG11510060	100	60	"	"	"	"	"	3,23	Z05CG11510060	5	GKGC100060
CG11510063	100	63	"	"	51	82	70	3,04	Z05CG11510063	5	GKGC100063
CG11510070	100	70	"	"	51	82	70	2,55	Z05CG11510070	5	GKGC100070
CG12511045	110	45	124	M115x2	41	72	60	4,40	Z03CG12511045	3	GKGC110045
CG12511050	110	50	"	"	"	"	"	4,20	Z03CG12511050	3	GKGC110050
CG12511060	110	60	"	"	51	82	70	4,24	Z03CG12511060	3	GKGC110060
CG12511070	110	70	"	"	"	"	"	3,56	Z03CG12511070	3	GKGC110070
CG14012050	120	50	139	M125x2	49	82	70	5,99	Z03CG14012050	3	GKGC120050
CG14012060	120	60	"	"	"	"	"	5,43	Z03CG14012060	3	GKGC120060
CG14012070	120	70	"	"	"	"	"	4,70	Z03CG14012070	3	GKGC120070
CG14012080	120	80	"	"	"	"	"	4,03	Z03CG14012080	3	GKGC120080
CG14512560	125	60	144	M130x2	59	92	80	6,76	Z02CG14512560	2	GKGC125060
CG14512570	125	70	"	"	"	"	"	5,96	Z02CG14512570	2	GKGC125070
CG14512580	125	80	"	"	"	"	"	5,21	Z02CG14512580	2	GKGC125080
CG14512590	125	90	"	"	"	"	"	4,21	Z02CG14512590	2	GKGC125090
CG16014070	140	70	159	M145x2	59	92	80	8,10			GKGC140070
CG16014080	140	80	"	"	"	"	"	7,35			GKGC140080
CG17015070	150	70	169	M155x2	69	102	90	10,75			GKGC150070
CG17015080	150	80	"	"	"	"	"	9,91			GKGC150080
CG18016080	160	80	179	M165x2	69	102	90	11,76			GKGC160080
CG18016090	160	90	"	"	"	"	"	10,67			GKGC160090
CG30											
CG30180100	180	100	210	M188x2.5	58	110	92	14,88			GKGC3180100
CG30180120	180	120	"	"	"	"	"	11,97			GKGC3180120
CG30200100	200	100	218	M208x2.5	58	110	92	19,34			GKGC3200100
CG30200120	200	120	"	"	"	"	"	16,43			GKGC3200120
CG30250120	250	120	268	M258x2.5	80	135	117	37,94			GKGC3250120
CG30250150	250	150	"	"	"	"	"	31,31			GKGC3250150

MATERIEL : FONTE EN-GJL 250 (G25-UNI 5007/EN 1561)

- * = ALUMINIUM UNI 2011-11S

MATERIAL : HYDRAULIC CAST IRON EN-GJL 250 (G25-UNI 5007/EN 1561)

- * = ALUMINIUM UNI 2011-11S

JOINTS : VOIR PAGES 71-72

SEALS : SEE PAGES 71-72

SUR DEMANDE: KIT JOINTS IN VITON

ON REQUEST : VITON SEAL KITS

KIT JOINTS POUR TETE DE GUIDAGE "CG"
SEAL KITS FOR "CG" HEAD BUSH

Series M250

GKGC

Code Code	Alésage/Tige Bore/Rod	O-Ring Dowty	GHK	TTI-L TTS - TSE	O-Ring Dowty
					GDS
GKGC025016	25 / 16	814	062087	TTI 16-24/L	-
GKGC030016	30 / 16	025	062087	TTI 16-24/L	120
GKGC032016	32 / 16	120	062087	TTI 16-24/L	121
GKGC032020	32 / 20	120	078110	TTI 20-28/L	121
GKGC035020	35 / 20	122	078110	TTI 20-28/L	216
GKGC035022	35 / 22	122	086118	TTS 545	216
GKGC040020	40 / 20	126	078110	TTI 20-28/L	219
GKGC040022	40 / 22	126	086118	TTS 545	219
GKGC040025	40 / 25	126	098129	TTI 25-33/L	219
GKGC040028	40 / 28	126	110141	TTI 28-36	219
GKGC045022	45 / 22	130	086118	TTS 545	222
GKGC045025	45 / 25	130	098129	TTI 25-33/L	222
GKGC050020	50 / 20	132	078110	TTI 20-28/L	826
GKGC050025	50 / 25	132	098129	TTI 25-35/L	826
GKGC050028	50 / 28	132	110141	TTI 28-36	826
GKGC050030	50 / 30	132	118149	TTI 30-40/1L	826
GKGC050032	50 / 32	132	125157	TTI 32-42	826
GKGC051035	50 / 35	132	137169	TTS 596	826
GKGC050035	50 / 35	132	137169	TTS 596	132
GKGC055025	55 / 25	135	098128	TTI 25-35/L	830
GKGC055030	55 / 30	135	118149	TTI 30-40/1L	830
GKGC055035	55 / 35	135	137169	TTI 35-45/L	830
GKGC060025	60 / 25	138	098129	TTI 25-35/L	832
GKGC060030	60 / 30	138	118149	TTI 30-40/1L	832
GKGC060035	60 / 35	138	137169	TTI 35-45/L	832
GKGC060040	60 / 40	138	157188	TTI 40-48/L	832
GKGC060045	60 / 45	138	177208	TTI 45-55/2L	832
GKGC063030	63 / 30	140	118149	TTI 30-40/1L	835
GKGC063032	63 / 32	140	125157	TTI 32-42	835
GKGC063035	63 / 35	140	137169	TTI 35-45/L	835
GKGC063036	63 / 36	140	141173	TTI 36-44/L	835
GKGC063040	63 / 40	140	157188	TTI 40-48/L	835
GKGC063045	63 / 45	140	177208	TTI 45-55/2L	835
GKGC065030	65 / 30	141	118149	TTI 30-40/1L	836
GKGC065035	65 / 35	141	137169	TTI 35-45/L	836
GKGC065040	65 / 40	141	157188	TTI 40-48/L	836
GKGC065045	65 / 45	141	177208	TTS 634	836
GKGC070025	70 / 25	145	098129	TTI 25-35/L	839
GKGC070030	70 / 30	145	118149	TTI 30-40/1L	839
GKGC070035	70 / 35	145	137169	TTI 35-45/L	839
GKGC070040	70 / 40	145	157188	TTI 40-50/3L	839
GKGC070045	70 / 45	145	177208	TTI 45-55/2L	839
GKGC070050	70 / 50	145	196228	TTI 50-60/L	839
GKGC075030	75 / 30	146	118149	TTI 30-40/1L	842
GKGC075035	75 / 35	146	137169	TTI 35-45/L	842
GKGC075040	75 / 40	146	157188	TTI 40-50/3L	842
GKGC075045	75 / 45	146	177208	TTI 45-55/2L	842
GKGC080030	80 / 30	149	118149	TTI 30-40/1L	GDS 845
GKGC080035	80 / 35	149	137169	TTI 35-45/L	GDS 845
GKGC080040	80 / 40	149	157188	TTI 40-50/3L	GDS 845
GKGC080045	80 / 45	149	177208	TTI 45-55/2L	GDS 845
GKGC080050	80 / 50	149	196228	TTI 50-60/L	GDS 845
GKGC080055	80 / 55	149	216248	TTS 668	GDS 845
GKGC080060	80 / 60	149	236267	TSE 283236	GDS 845
GKGC085035	85 / 35	151	137169	TTI 35-45/L	619
GKGC085040	85 / 40	151	157188	TTI 40-50/3L	619
GKGC085045	85 / 45	151	177208	TTI 45-55/2L	619
GKGC085050	85 / 50	151	196228	TTI 50-60/L	619
GKGC090040	90 / 40	152	157188	TTI 40-50/3L	GDS 620
GKGC090045	90 / 45	152	177208	TTI 45-55/2L	GDS 620
GKGC090050	90 / 50	152	196228	TTI 50-60/L	GDS 620
GKGC090060	90 / 60	152	236267	TSE 283236	GDS 620

GKGCG

Series M250

KIT JOINTS POUR TETE DE GUIDAGE "CG"
SEAL KITS FOR "CG" HEAD BUSH

Code Code	Alésage/Tige Bore/Rod	O-Ring Dowty	GHK	TTI-L TTS - TSE	O-Ring Dowty
					GDS
GKGC100040	100 / 40	153	157188	TTI 40-50/3L	GDS 621
GKGC100045	100 / 45	153	177208	TTI 45-55/2L	GDS 621
GKGC100050	100 / 50	153	196228	TTI 50-60/L	GDS 621
GKGC100055	100 / 55	153	216248	TTS 668	GDS 621
GKGC100060	100 / 60	153	236267	TSE 283236	GDS 621
GKGC100063	100 / 63	153	248279	TTI 63-75/L	GDS 621
GKGC100070	100 / 70	153	275307	TSE 334275/1	GDS 621
GKGC110045	110 / 45	154	177208	TTI 45-55/2L	GDS 622
GKGC110050	110 / 50	154	196228	TTI 50-60/L	GDS 622
GKGC110060	110 / 60	154	236267	TSE 283236	GDS 622
GKGC110070	110 / 70	154	275307	TSE 334275/1	GDS 622
GKGC120050	120 / 50	156	196228	TTI 50-60/L	GDS 623
GKGC120060	120 / 60	156	236267	TSE 283236	GDS 623
GKGC120070	120 / 70	156	275322	TSE 334275/1	GDS 623
GKGC120080	120 / 80	156	314346	TSE 377314/AI	GDS 623
GKGC125060	125 / 60	157	236267	TSE 283236	GDS 349
GKGC125070	125 / 70	157	275322	TSE 334275/1	GDS 349
GKGC125080	125 / 80	157	314346	TSE 377314/AI	GDS 349
GKGC125090	125 / 90	157	354401	TSE 413354/1/AI	GDS 349
GKGC140070	140 / 70	159	275322	TSE 334275/1	GDS 864
GKGC140080	140 / 80	159	314346	TSE 377314/AI	GDS 864
GKGC150070	150 / 70	160	275322	TSE 334275/1	GDS 867
GKGC150080	150 / 80	160	314346	TSE 377314/AI	GDS 867
GKGC160080	160 / 80	161	314346	TSE 377314/AI	GDS 870
GKGC160090	160 / 90	161	354401	TSE 413354/1/AI	GDS 870

GKGCG

Series M250

KIT JOINTS POUR TETE DE GUIDAGE "CG"
SEAL KITS FOR "CG" HEAD BUSH

Code Code	Alésage/Tige Bore/Rod	O-Ring Dowty	GHK	TTI-L TTS - TSE	O-Ring + GKS	AGI x3
					Dowty	
GKGC3180100	180 / 100	262	393440	TSE 444393/AI	628	100
GKGC3180120	180 / 120	262	472519	TSE 531472/AI	628	120
GKGC3200100	200 / 100	265	393440	TSE 444393/AI	882	100
GKGC3200120	200 / 120	265	472519	TSE 531472/AI	882	120
GKGC3250120	250 / 120	272	472519	TSE 531472/AI	678	120
GKGC3250150	250 / 150	272	590637	TSE 669590/AI	678	150