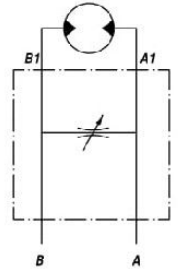
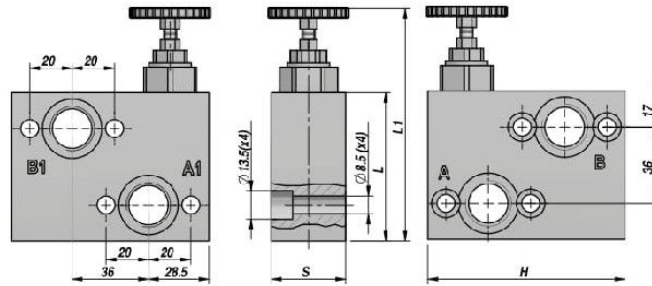


BVR01

NEW!

ETRANGLEUR REGLABLE POUR MOTEURS "MPP-MPR-MCP-MCR"
FLOW CONTROL FOR "MPP-MPR-MCP-MCR" MOTORS



REGLABLE - ADJUSTABLE
BIDIRECTIONNEL - BIDIRECTIONAL

Code Code	A - B BSP	Q MAX l/min	P MAX bar	Type Type	L	L1 max	H	S	kg
VBVR012010	1/2"	50	210	BVR 12.01	70	117	93	35	0,63

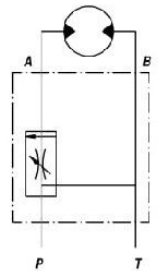
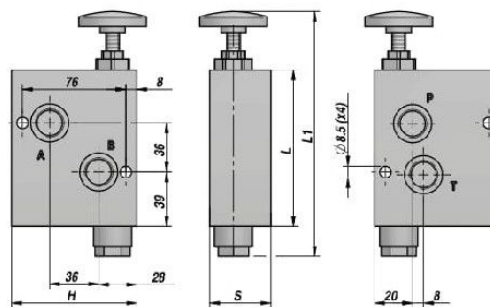
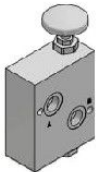
MATERIEL CORPS : ALUMINIUM
BODY MATERIAL : ALUMINIUM

FLASQUABLE
FACE MOUNTING

BVR05

NEW!

ETRANGLEUR REGLABLE POUR MOTEURS "MPP-MPR-MCP-MCR"
PRIORITY FLOW CONTROL FOR "MPP-MPR-MCP-MCR" MOTORS



REGLABLE - ADJUSTABLE
EXCEDENT AU RESERVOIR - EXCEEDING FLOW TO TANK

Code Code	A - B BSP	Q MAX l/min	P MAX bar	Type Type	L	L1 max	H	S	kg
VBVR012050	1/2"	60	250	BVR 12.05	115	185	92	45	3,25

MATERIEL CORPS : ACIER
BODY MATERIAL : STEEL

FLASQUABLE
FACE MOUNTING